



Distributor of CTS Electronic Components: Excellent Integrated System Limited

Datasheet of 2463-001-X5S0-471MLF - CAP FEEDTHRU 470PF 200V X5S

Contact us: sales@integrated-circuit.com Website: www.integrated-circuit.com

Excellent Integrated System Limited

Stocking Distributor

Click to view price, real time Inventory, Delivery & Lifecycle Information:

[CTS Electronic Components](#)

[2463-001-X5S0-471MLF](#)

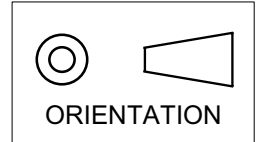
For any questions, you can email us directly:

sales@integrated-circuit.com

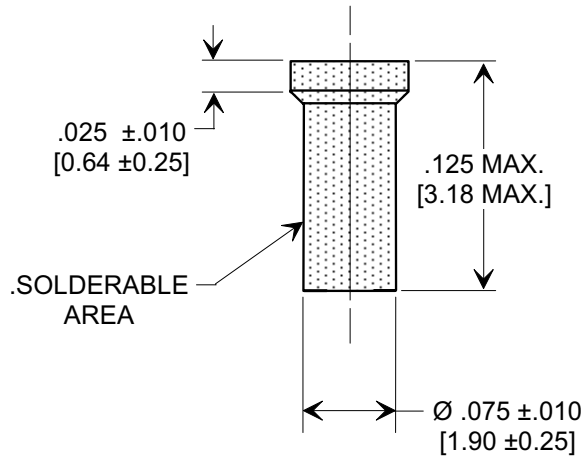
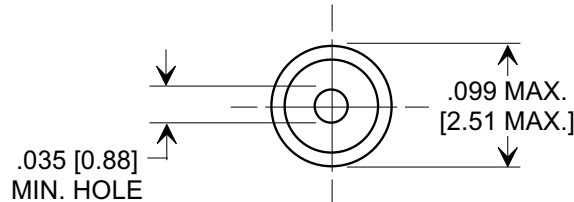
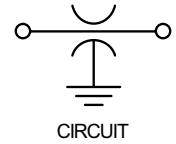
MARKETING SALES DRAWING

DIMENSIONS IN INCHES - DO NOT SCALE THIS DRAWING
DIMENSIONS IN METRIC - []

This drawing is the property of Tusonix, Inc., and may not be used, reproduced, published or disclosed to others without expressed authorization by Tusonix Inc.



Electrical Testing
 per Tusonix standard
 test plans and Mil-Std-202
 Test Methods.



SPECIFICATIONS

CAP. VALUE	470 pF
CAP. TOL.	±20%
TEMP. CHAR.	X5S
OPERATING TEMP.	-55° TO +85°C
OPERATING VOLT.	200 WVDC
DWV (VDC)	400
I.R. MIN. @ 100 (VDC)	10 G Ω

NOTES:

- TUSONIX STANDARD PART NUMBER: 2463-001-X5S0-471M.
 TUSONIX RoHS COMPLIANT PART NUMBER: 2463-001-X5S0-471M LF.
 CUSTOMER MUST SPECIFY STANDARD OR RoHS PART NUMBER WHEN ORDERING.
- PART MARKING: STANDARD PART, NO MARKING.
 RoHS PART: GREEN LABELING ON PACKAGING.

X-2015 Rev-0

REVISION RECORD Original Release C.O. 19981002-3-02 ADDED NOTES, IR & DWV. S.M. 07-27-06 20060619-1-08	0	1	--TOLERANCES-- Unless Otherwise Specified	Title			
			DECIMAL ± .031 [0.79]	SHOULDER FEED-THRU			
			ANGLES ±	Drawn	S.M. 10-06-98	Scale	NONE
			TUSONIX TUCSON, ARIZONA	Approved	H.R. 10-06-98		
	A		2463-001-X5S0-471M				