



**Distributor of CTS Electronic Components: Excellent Integrated System Limited**

Datasheet of 2482-012-X5U0-101MLF - CAP FEEDTHRU 100PF 300V X5U

Contact us: [sales@integrated-circuit.com](mailto:sales@integrated-circuit.com) Website: [www.integrated-circuit.com](http://www.integrated-circuit.com)

---

## **Excellent Integrated System Limited**

Stocking Distributor

Click to view price, real time Inventory, Delivery & Lifecycle Information:

[CTS Electronic Components](#)

[2482-012-X5U0-101MLF](#)

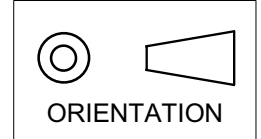
For any questions, you can email us directly:

[sales@integrated-circuit.com](mailto:sales@integrated-circuit.com)

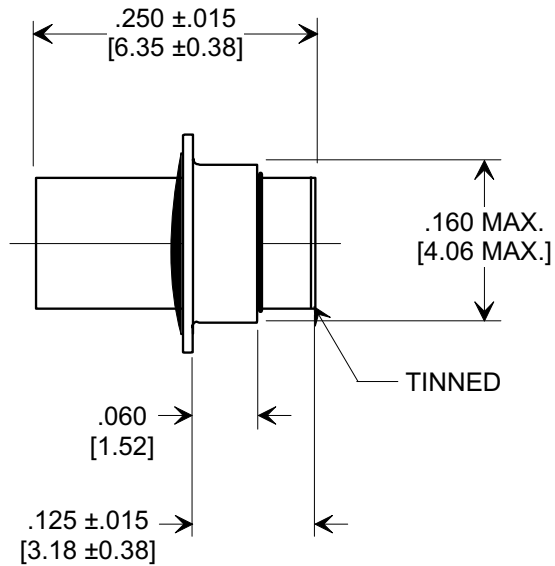
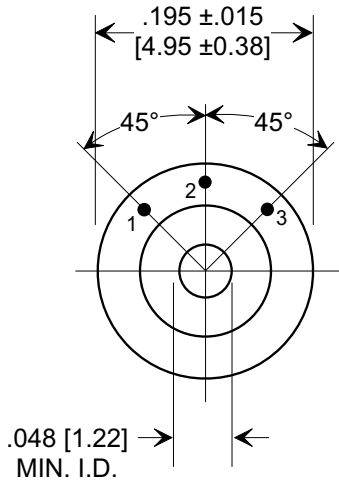
**MARKETING SALES DRAWING**

**DIMENSIONS IN INCHES - DO NOT SCALE THIS DRAWING**  
**DIMENSIONS IN METRIC - [ ]**

This drawing is the property of Tusonix, Inc., and may not be used, reproduced, published or disclosed to others without expressed authorization by Tusonix Inc.



**Electrical Testing**  
 per Tusonix standard  
 test plans and Mil-Std-202  
 Test Methods.



**SPECIFICATIONS**

TUSONIX STYLE:	2482-012
CAP. VALUE:	100 pF
CAP. TOL.:	± 20 %
TEMP. CHAR.:	X5U
OPERATING TEMP.:	-55° TO +85°C
OPERATING VOLT.:	300 WVDC
DIEL. WITHSTANDING VOLTAGE:	900 VDC FOR 2 SEC.

**NOTES:**

- TUSONIX STANDARD PART NUMBER: 2482-012-X5U0-101M.  
 TUSONIX RoHS COMPLIANT PART NUMBER: 2482-012-X5U0-101M LF.  
 CUSTOMER MUST SPECIFY STANDARD OR RoHS PART NUMBER WHEN ORDERING.
- EYELET FINISH: STANDARD PART #: 60/40 SOLDER PLATED. RoHS PART #: SILVER PLATED.
- PART MARKING: STANDARD PART 3 DOT COLOR CODE. RoHS PART 3 DOT COLOR CODE AND GREEN DOT.

X-2015_Rev-0 REVISION RECORD Original Release C.O. 20060818-3-02	0

--TOLERANCES-- Unless Otherwise Specified	Title <b>FEED-THRU CAPACITOR</b>	
DECIMAL ± .015 [0.38]	Drawn	S.M. 08-21-06
ANGLES ±	Approved	T.C. 08-21-06
<b>TUSONIX</b> TUCSON, ARIZONA	<b>A</b>	<b>2482-012-X5U0-101M</b>