



Distributor of CTS Electronic Components: Excellent Integrated System Limited

Datasheet of 4101-000LF - FILTER EMI 1750 PF PI TYPE

Contact us: [sales@integrated-circuit.com](mailto:sales@integrated-circuit.com) Website: [www.integrated-circuit.com](http://www.integrated-circuit.com)

---

## Excellent Integrated System Limited

Stocking Distributor

Click to view price, real time Inventory, Delivery & Lifecycle Information:

[CTS Electronic Components](#)

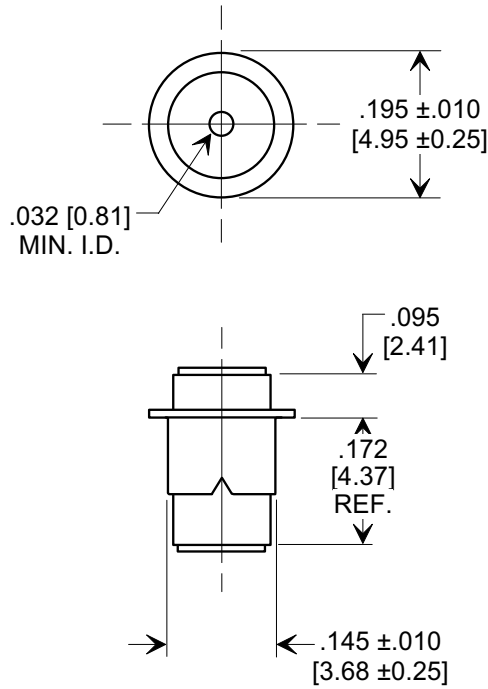
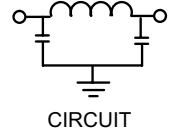
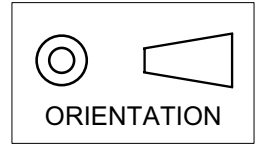
[4101-000LF](#)

For any questions, you can email us directly:

[sales@integrated-circuit.com](mailto:sales@integrated-circuit.com)

Electrical Testing  
 per Tusonix standard  
 test plans and Mil-Std-202  
 Test Methods.

**MARKETING SALES DRAWING**  
 DIMENSIONS IN INCHES - DO NOT SCALE THIS DRAWING  
 DIMENSIONS IN METRIC - [ ]



NOTES:

- TUSONIX STANDARD PART NUMBER: 4101-000.  
 TUSONIX RoHS COMPLIANT PART NUMBER: 4101-000 LF.  
 CUSTOMER MUST SPECIFY STANDARD OR RoHS PART NUMBER WHEN ORDERING.
- RoHS COMPLIANT PART MARKED WITH GREEN DOT FOR IDENTIFICATION.

MIN. CAP. (pF)	WORKING VOLTAGE (VVdc)		CURRENT Idc.	I.R. MIN. @ 100 (VDC.)	DWV (VDC)	MINIMUM NO LOAD INSERTION LOSS (dB) AT 25°C PER MIL-STD-220			
	85°C	125°C				10 MHz	100 MHz	1 GHz	10 GHz
1750	250	125	10 A	10 G	500	5	35	50	50

X-2015 Rev-0

<b>REVISION RECORD</b>	<b>0</b>	Original Release C.O.	<b>EYELET STYLE EMI FILTER</b>	Title		
	<b>1</b>	WAS SK 6644-080-S. LE 1-13-84		Drawn S.M. 07-19-00 Scale <b>4 X</b>		
	<b>2</b>	DIMS & TOL'S REV'D. RELEASED. L.E. 1-8-85				
	<b>C.O.1653</b>	CURRENT UNIT "A" ADDED L.E. 8-20-85		Approved T.C. 07-19-00		
	<b>2595</b>	RDN TO COMP. FMT. S.M. 07-19-00		<b>TUSONIX</b> TUCSON, ARIZONA	<b>A</b>	<b>4101-000</b>
	<b>20000914-3-03</b>	DIM .145 TOL WAS ±.018. ADDED IR, DWV & CIRCUIT. S.M.11-05-04				
<b>20041105-1-01</b>	ADDED NOTES. S.M. 03-14-05	--TOLERANCES-- Unless Otherwise Specified				
<b>20050314-3-01</b>		DECIMAL ± .015 [0.38]				
		ANGLES ±				