



Distributor of CTS Electronic Components: Excellent Integrated System Limited

Datasheet of 4101-004LF - FILTER EMI 1750 PF PI TYPE

Contact us: sales@integrated-circuit.com Website: www.integrated-circuit.com

Excellent Integrated System Limited

Stocking Distributor

Click to view price, real time Inventory, Delivery & Lifecycle Information:

[CTS Electronic Components](#)

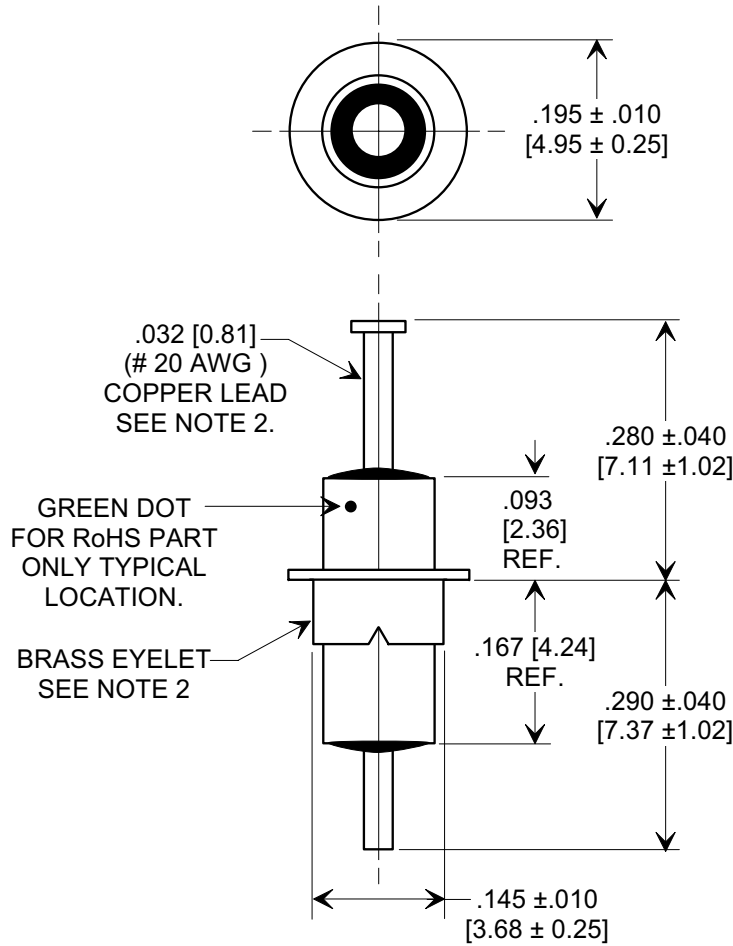
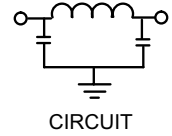
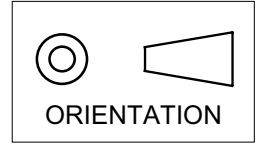
[4101-004LF](#)

For any questions, you can email us directly:

sales@integrated-circuit.com

Electrical Testing
 per Tusonix standard
 test plans and Mil-Std-202
 Test Methods.

MARKETING SALES DRAWING
DIMENSIONS IN INCHES - DO NOT SCALE THIS DRAWING
DIMENSIONS IN METRIC - []



Notes:

- Tusonix Standard part number: 4101-004.
 Tusonix RoHS compliant part number: 4101-004 LF.
 Customer must specify Standard or RoHS part number when ordering.
- Lead finish: Standard Part No.: 60/40 solder plated. RoHS Part No. Silver Plated.
 Eyelet finish Standard Part No.: 60/40 solder plated. RoHS Part No. Silver Plated.
- Part Marking: Standard has no marking. RoHS part: Green Dot.

MIN. CAP. (pF)	WORKING VOLTAGE (WVdc)		CURRENT Idc. (A)	I.R. MIN. @ 100 (VDC.)	DWV 25 SEC. (VDC)	MINIMUM NO LOAD INSERTION LOSS (dB) AT 25°C PER MIL-STD-220			
	85°C	125°C				10 MHz	100 MHz	1 GHz	10 GHz
1750	250	125	10	10 G Ω	500	5	50	60	60

X-2015 Rev-0

REVISION RECORD	Original Release C.O.	0			--TOLERANCES-- Unless Otherwise Specified	Title	
	RDN TO CMP FMT. S.M. 07-19-00					EYELET STYLE EMI FILTER	
	2000914-3-05	1			DECIMAL ± .031 [0.79]		
	REVISED TO STANDARDIZE DWG. ADDED IR & DWV. S.M. 09-13-05		20050829-1-05	2			Approved T.C. 07-19-00
					TUSONIX TUCSON, ARIZONA	A	4101-004