



Distributor of CTS Electronic Components: Excellent Integrated System Limited

Datasheet of 4200-000LF - FILTER EMI 1500 PF PI TYPE

Contact us: sales@integrated-circuit.com Website: www.integrated-circuit.com

Excellent Integrated System Limited

Stocking Distributor

Click to view price, real time Inventory, Delivery & Lifecycle Information:

[CTS Electronic Components](#)

[4200-000LF](#)

For any questions, you can email us directly:

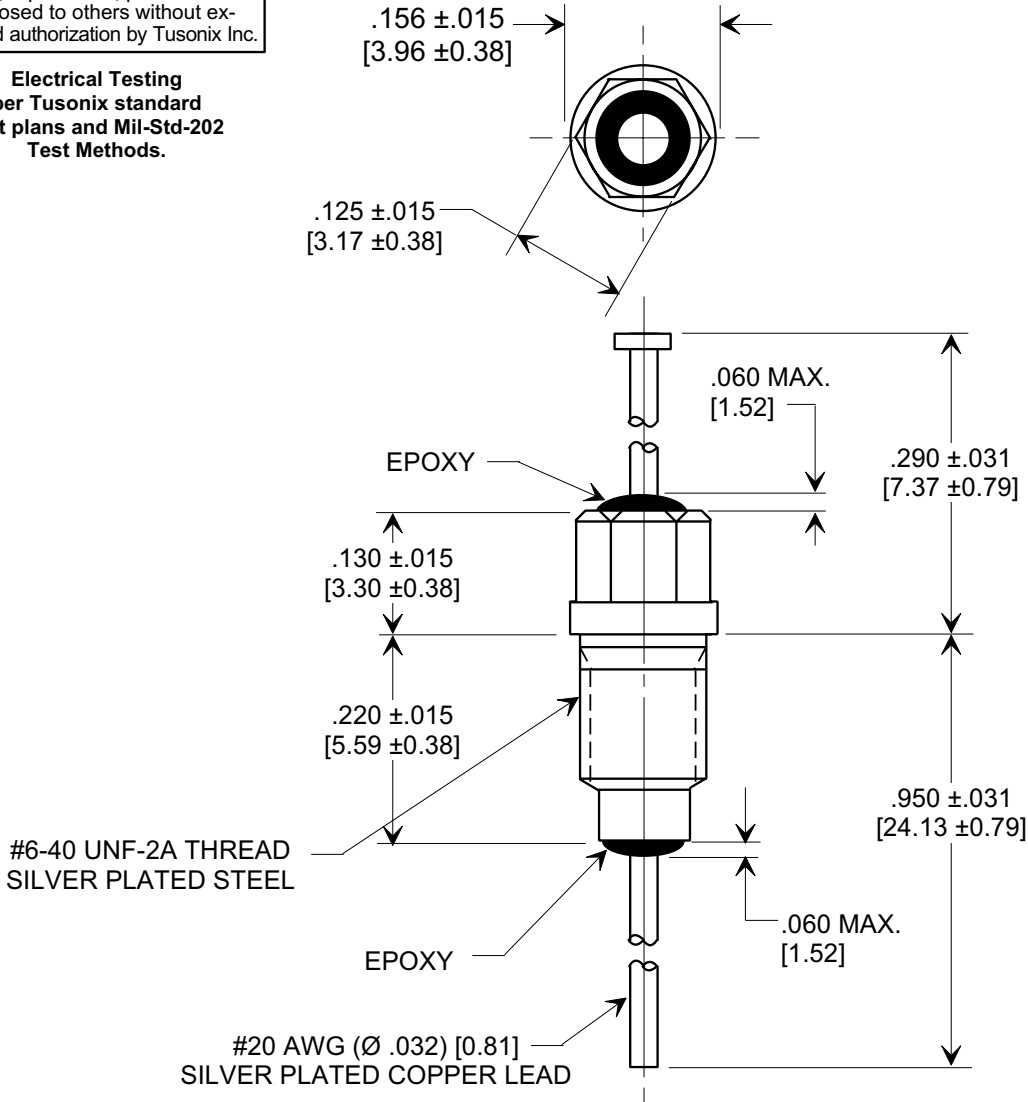
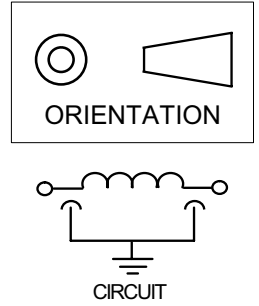
sales@integrated-circuit.com

MARKETING SALES DRAWING

DIMENSIONS IN INCHES - DO NOT SCALE THIS DRAWING
DIMENSIONS IN METRIC - []

This drawing is the property of Tusonix, Inc., and may not be used, reproduced, published or disclosed to others without expressed authorization by Tusonix Inc.

Electrical Testing
 per Tusonix standard
 test plans and Mil-Std-202
 Test Methods.



NOTES:

- TUSONIX STANDARD PART NUMBER: 4200-000.
 TUSONIX RoHS COMPLIANT PART NUMBER: 4200-000 LF.
 CUSTOMER MUST SPECIFY STANDARD OR RoHS PART NUMBER WHEN ORDERING.
- LEAD FINISH: SILVER PLATE.
- PART MARKING: TRADEMARK AND VARIATION NUMBER ON HEX FLATS.
 STANDARD PART: BLACK INK. RoHS PART: GREEN INK.
- SUPPLIED WITH SILVER PLATED COPPER ALLOY HEX NUT AND INTERNAL TOOTH LOCK WASHER.

MIN. CAP.	WORKING VOLTAGE		CURRENT V.D.C.	I.R. MIN. @ 100 (VDC.)	DWV (VDC)	MINIMUM NO LOAD INSERTION LOSS (dB) AT 25°C PER MIL-STD-220			
	85°C	125°C				10 MHz	100 MHz	1 GHz	10 GHz
1500 pF	300 VDC	200 VDC	10A	10 G Ω	900	5	40	60	60

X-2015 Rev-0	REVISION RECORD	Original Release C.O. 20010411-1-01	ADDED & REVISED NOTES. ADDED DWV & IR. SM 11-10-05	20051027-1-02	REVISED BUSHING TO NEW SIMPLIFIED DWG. SM 03-08-06	20060303-2-02	TUSONIX TUCSON, ARIZONA	--TOLERANCES-- Unless Otherwise Specified		Title BUSHING STYLE EMI FILTER	
		DECIMAL ± .031 [0.79]		Drawn S.M. 04-11-01		Scale 5 X					
		ANGLES ±		Approved T.C. 04-11-01							
		A		4200-000							