



Distributor of CTS Electronic Components: Excellent Integrated System Limited

Datasheet of 4203-003LF - FILTER EMI 1500 PF PI TYPE

Contact us: sales@integrated-circuit.com Website: www.integrated-circuit.com

Excellent Integrated System Limited

Stocking Distributor

Click to view price, real time Inventory, Delivery & Lifecycle Information:

[CTS Electronic Components](#)

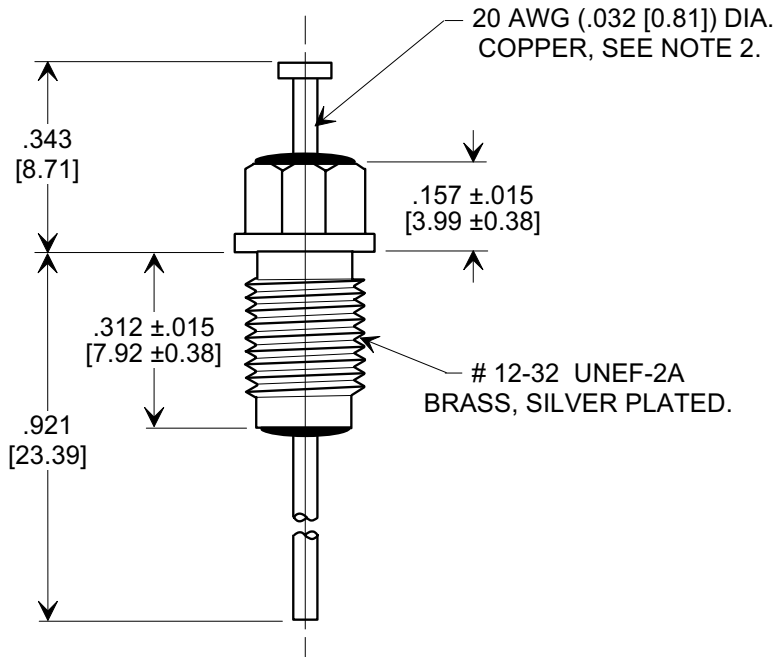
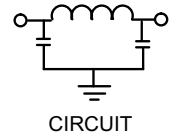
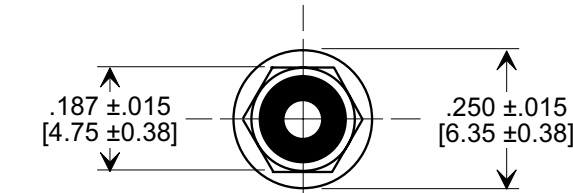
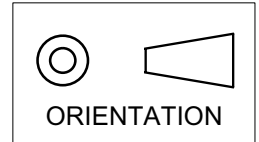
[4203-003LF](#)

For any questions, you can email us directly:

sales@integrated-circuit.com

Electrical Testing
 per Tusonix standard
 test plans and Mil-Std-202
 Test Methods.

MARKETING SALES DRAWING
DIMENSIONS IN INCHES - DO NOT SCALE THIS DRAWING
DIMENSIONS IN METRIC - []



NOTES:

- TUSONIX STANDARD PART NUMBER: 4203-003.
 TUSONIX RoHS COMPLIANT PART NUMBER: 4203-003 LF.
 CUSTOMER MUST SPECIFY STANDARD OR RoHS PART NUMBER WHEN ORDERING.
- LEAD FINISH: STANDARD PART #: 60/40 SOLDER PLATED COPPER. RoHS PART #: SILVER PLATED COPPER.
- PART MARKING: TRADEMARK AND VARIATION NUMBER ON HEX FLATS.
 STANDARD PART: BLACK INK. RoHS PART: GREEN INK.
- SUPPLIED WITH SILVER PLATED COPPER ALLOY HEX NUT AND INTERNAL TOOTH LOCK WASHER.

| MIN. CAP. (pF) | WORKING VOLTAGE (VVdc) | | CURRENT IDC | I.R. MIN. @ 100 (VDC) | DWV (VDC) | MINIMUM NO LOAD INSERTION LOSS (dB) AT 25°C PER MIL-STD -220 | | | |
|----------------|------------------------|--------|-------------|-----------------------|-----------|--|---------|-------|--------|
| | 85°C | 125 °C | | | | 10 MHz | 100 MHz | 1 GHz | 10 GHz |
| 1500 | 350 | 200 | 10A | 10 G Ω | 700 | 5 | 45 | 70 | 70 |
| | | | | | | | | | |

| | | | | |
|--|----------|---|--|-----------------|
| X-2015 Rev-0 REVISION RECORD Original Release C.O. 2898 RDN TO COMP FMT, ADDED METRIC. S.M. 05-22-02 20020522-6-04 ADDED NOTES, IR & DWV. S.M. 11-14-05 20051026-5-04 | 0 | TOLERANCES unless otherwise specified 2 PLC. DECIMAL ± $\frac{\quad}{\quad}$ 3 PLC. DECIMAL ± .031 [0.79] | Title BUSHING STYLE EMI FILTER | |
| | 1 | | Drawn S.M. 05-22-02 | Scale 3 X |
| | 2 | TUSONIX TUCSON, ARIZONA | Approved J.Mc. 05-22-02 | |
| | | | A | 4203-003 |