



**Distributor of CTS Electronic Components: Excellent Integrated System Limited**

Datasheet of 4300-001LF - FILTER EMI 500 PF C TYPE

Contact us: [sales@integrated-circuit.com](mailto:sales@integrated-circuit.com) Website: [www.integrated-circuit.com](http://www.integrated-circuit.com)

---

## **Excellent Integrated System Limited**

Stocking Distributor

Click to view price, real time Inventory, Delivery & Lifecycle Information:

[CTS Electronic Components](#)

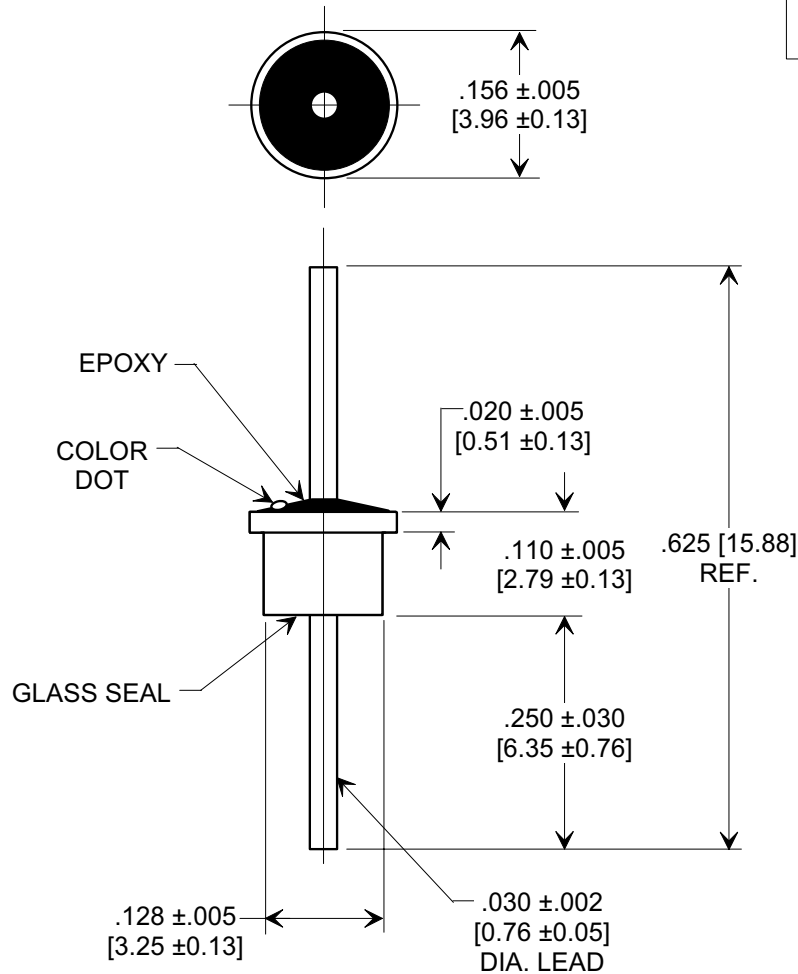
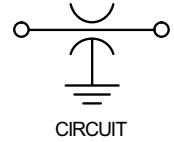
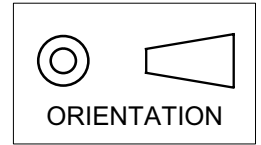
[4300-001LF](#)

For any questions, you can email us directly:

[sales@integrated-circuit.com](mailto:sales@integrated-circuit.com)

**MARKETING SALES DRAWING**  
 DIMENSIONS IN INCHES - DO NOT SCALE THIS DRAWING  
 DIMENSIONS IN METRIC - [ ]

Electrical Testing  
 per Tusonix standard  
 test plans and Mil-Std-202  
 Test Methods.



**NOTES:**

- Operating temperature range: -55°C to +125°C.
- Gold plated case and lead.
- Epoxy sealed on opposite end from glass seal.
- Max. recommended soldering temperature: 260°C.  
See installation recommendations.
- Recommended mounting hole: .135 dia.
- Solder preform available for mounting.
- Tusonix Standard part number: 4300-001.  
Tusonix RoHS compliant part number: 4300-001 LF.  
Customer must specify Standard or RoHS part number when ordering.
- RoHS compliant part marked with additional dark green dot for identification.

Cx (pF)	TOL.	DC WORKING VOLTAGE		I.R. MIN. @ 100 (VDC.)	DWV (VDC)	DC CURRENT (AMPS)	MIN. NO LOAD INSERTION LOSS (dB) @ 25° C PER MIL-STD-220					COLOR CODE
		85°C	125°C				1 MHz	10 MHz	100 MHz	1GHz	10 GHz	
500	GMV	300	200	10 G	500	5	---	----	15	35	40	BROWN

X-2015 Rev-0

<b>REVISION RECORD</b> Original Release C.O. REDRAWN & REVISED ADDED 008, 009 & 010. E.C. 05-30-90 <b>5261</b> VARS 005, 006, 007 & 1MHz COLUMN ADDED. L.E. 11-07-90 <b>5591</b> VARS 080 WAS 010 & VAR 013 ADDED. L.E. 06-10-91 <b>5966</b> RDN TO COMP FMP. STYLE DWG SPLIT FOR EACH VAR. S.M. 10-02-02 <b>20021001-7-02</b> ADDED NOTES 7 & 8. S.M. 05-23-05 <b>20050511-2-07</b>	0	10	11	12	13	14	--TOLERANCES-- Unless Otherwise Specified  DECIMAL ± NOTED  ANGLES ±	Title <b>SOLDER MOUNT EMI FILTER</b>		
	<b>TUSONIX</b> TUCSON, ARIZONA							Drawn S.M. 10-02-02 Scale 5 X		
	Approved T.C. 10-02-02						<b>A</b>		<b>4300-001</b>	