



**Distributor of CTS Electronic Components: Excellent Integrated System Limited**

Datasheet of 4300-002LF - FILTER EMI 1200 PF C TYPE

Contact us: [sales@integrated-circuit.com](mailto:sales@integrated-circuit.com) Website: [www.integrated-circuit.com](http://www.integrated-circuit.com)

---

## **Excellent Integrated System Limited**

Stocking Distributor

Click to view price, real time Inventory, Delivery & Lifecycle Information:

[CTS Electronic Components](#)

[4300-002LF](#)

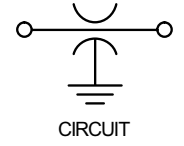
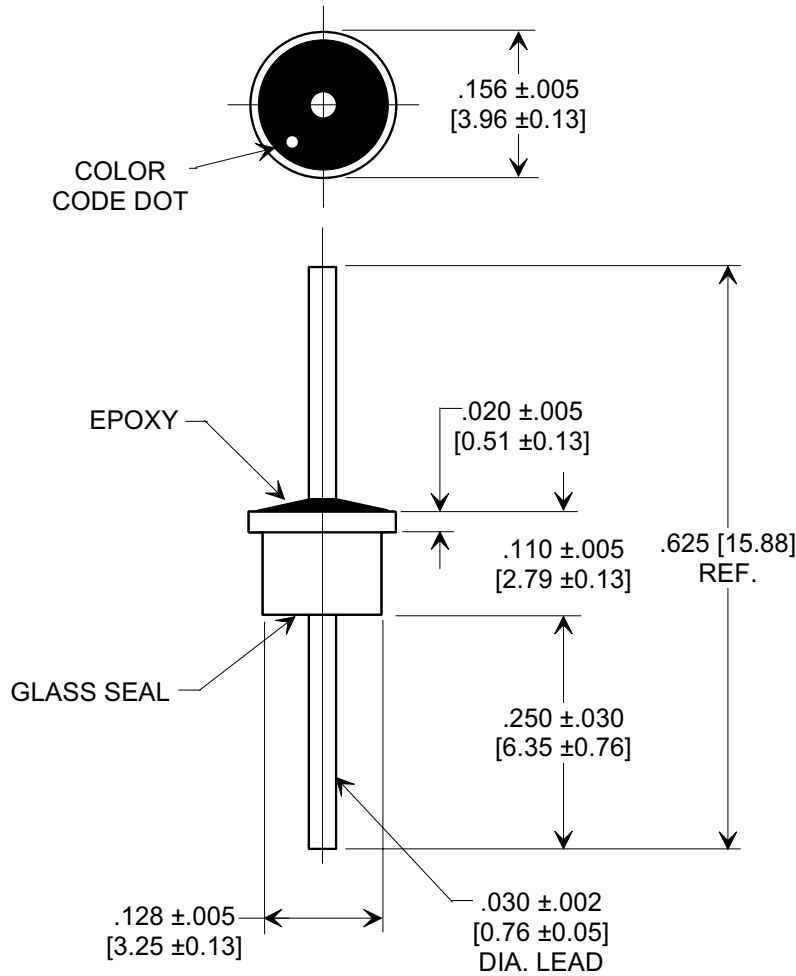
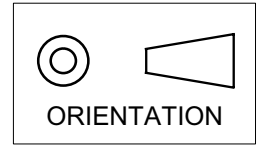
For any questions, you can email us directly:

[sales@integrated-circuit.com](mailto:sales@integrated-circuit.com)

MARKETING SALES DRAWING

DIMENSIONS IN INCHES - DO NOT SCALE THIS DRAWING  
 DIMENSIONS IN METRIC - [ ]

Electrical Testing  
 per Tusonix standard  
 test plans and Mil-Std-202  
 Test Methods.



NOTES:

- TUSONIX STANDARD PART NUMBER: 4300-002.  
 TUSONIX RoHS COMPLIANT PART NUMBER: 4300-002 LF.  
 CUSTOMER MUST SPECIFY STANDARD OR RoHS PART NUMBER WHEN ORDERING.
- RoHS COMPLIANT PART MARKED WITH DARK GREEN DOT FOR IDENTIFICATION.

Cx (pF)	TOL.	DC WORKING VOLTAGE		CURRENT	IR (MIN.) @ 100 VDC	DWW	MIN. NO LOAD INSERTION LOSS (dB) @ 25° C PER MIL-STD-220					COLOR CODE
		+85°C	+125°C				1 MHz	10 MHz	100 MHz	1GHz	10 GHz	
1200	GMV	300	200	5 A	10 G	500 VDC	---	5	20	35	45	WHITE

REVISION RECORD Original Release C.O. 4984 RDN TO COMP FMP. STYLE DWG SPLIT FOR EACH VAR. S.M. 06-19-02 20020604-3-03 ADDED NOTES 1 & 2. S.M. 05-23-05 20050511-2-08	0	--TOLERANCES-- Unless Otherwise Specified  DECIMAL ±  ANGLES ±  <b>TUSONIX</b> TUCSON, ARIZONA	Title <b>SOLDER MOUNT EMI FILTER</b>	
	1		Drawn S.M. 06-19-02 Scale 5 X	
	2		Approved J.Mc. 06-19-02	
	<b>A</b>		<b>4300-002</b>	