



**Distributor of CTS Electronic Components: Excellent Integrated System Limited**

Datasheet of 4300-681LF - FILTER EMI 5.0 PF C TYPE

Contact us: [sales@integrated-circuit.com](mailto:sales@integrated-circuit.com) Website: [www.integrated-circuit.com](http://www.integrated-circuit.com)

---

## **Excellent Integrated System Limited**

Stocking Distributor

Click to view price, real time Inventory, Delivery & Lifecycle Information:

[CTS Electronic Components](#)

[4300-681LF](#)

For any questions, you can email us directly:

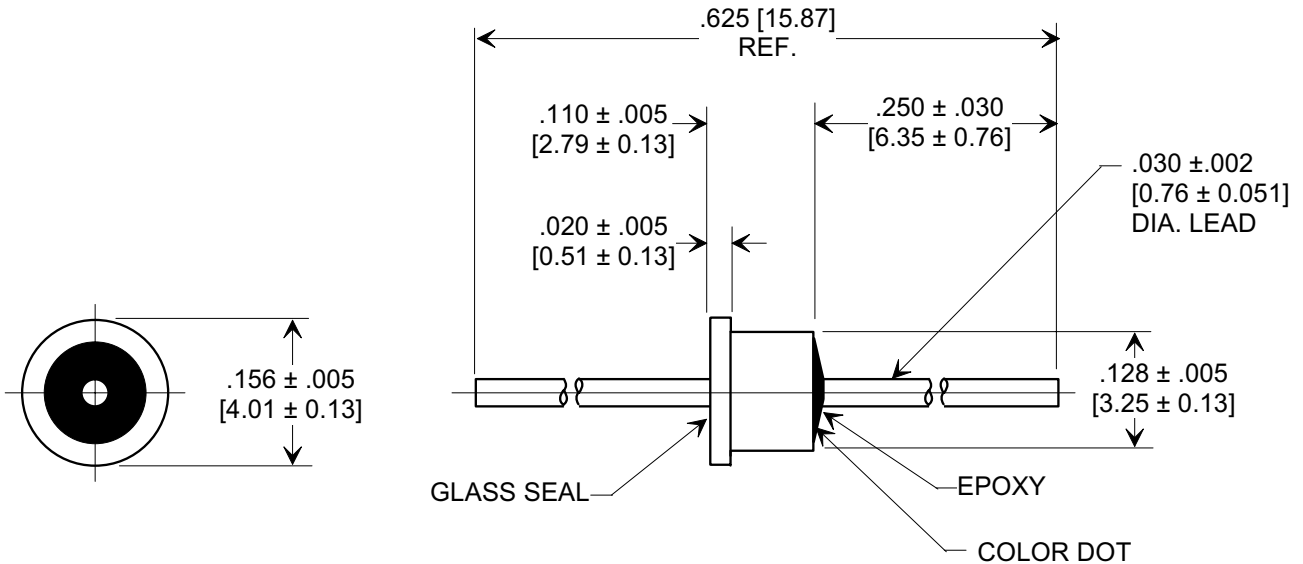
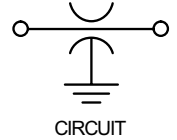
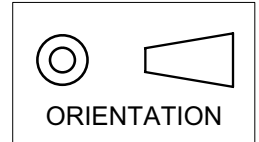
[sales@integrated-circuit.com](mailto:sales@integrated-circuit.com)

**MARKETING SALES DRAWING**

**DIMENSIONS IN INCHES - DO NOT SCALE THIS DRAWING**

**DIMENSIONS IN METRIC - [ ]**

Electrical Testing  
 per Tusonix standard  
 test plans and Mil-Std-202  
 Test Methods.



**NOTES:**

1. Operating temperature range: -55°C to +125°C.
2. Gold plated case and lead.
3. Epoxy sealed on opposite end from glass seal.
4. Max. recommended soldering temperature: 260°C.  
See installation recommendations.
5. Recommended mounting hole: .135 [3.43] dia.
6. Solder preform available for mounting.
7. Tusonix Standard part number: 4300-681.  
Tusonix RoHS compliant part number: 4300-681 LF.  
Customer must specify Standard or RoHS part number when ordering.
8. RoHS compliant part marked with additional dark green dot for identification.

CAP. (pF)	TOL.	DC WORKING VOLTAGE		DC CURRENT (AMPS)	MINIMUM NO LOAD INSERTION LOSS (dB) @ 25°C PER MIL-STD-220					COLOR CODE
		85°C	125°C		1 MHz	10 MHz	100 MHz	1 GHz	10 GHz	
5	MAX.	300	200	5	---	---	---	---	---	BLK-BLK

X-2015 Rev-0

<b>REVISION RECORD</b> Original Release C.O. 20020104-1-02 ADDED NOTES 7 & 8. S.M. 05-23-05 20050511-2-63	0	1	<b>TUSONIX</b> TUCSON, ARIZONA	<b>--TOLERANCES--</b> Unless Otherwise Specified	Title <b>SOLDER MOUNT EMI FILTER</b>	
				DECIMAL ± .015		
				ANGLES ±	<b>A</b>	<b>4300-681</b>