



Distributor of CTS Electronic Components: Excellent Integrated System Limited

Datasheet of 4400-032LF - FILTER EMI 1200 PF C TYPE

Contact us: sales@integrated-circuit.com Website: www.integrated-circuit.com

Excellent Integrated System Limited

Stocking Distributor

Click to view price, real time Inventory, Delivery & Lifecycle Information:

[CTS Electronic Components](#)

[4400-032LF](#)

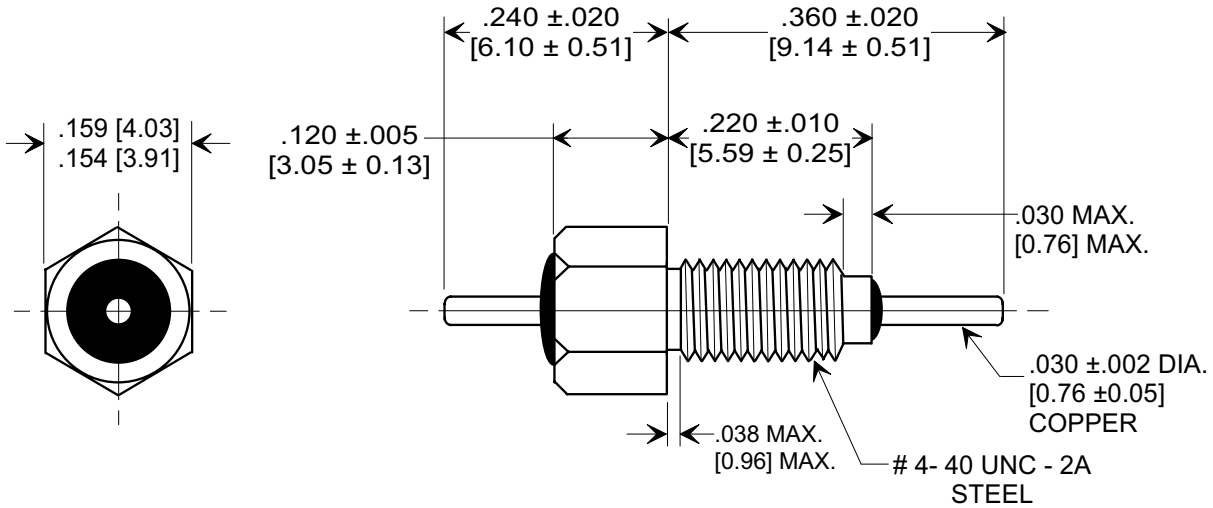
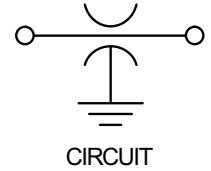
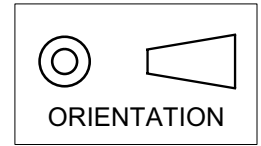
For any questions, you can email us directly:

sales@integrated-circuit.com

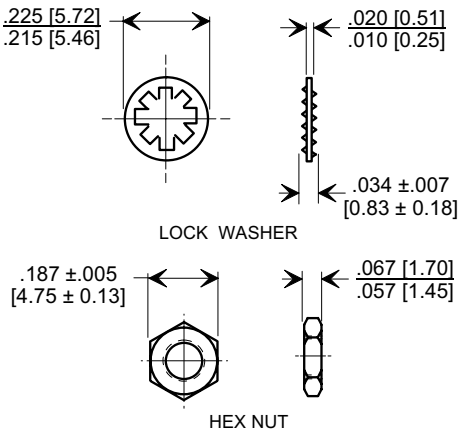
MARKETING SALES DRAWING

Electrical Testing
 per Tusonix standard
 test plans and Mil-Std-202
 Test Methods.

DIMENSIONS IN INCHES - DO NOT SCALE THIS DRAWING
DIMENSIONS IN METRIC - []



MOUNTING HARDWARE



NOTES:

1. TUSONIX STANDARD PART NUMBER: 4400-032.
 TUSONIX RoHS COMPLIANT PART NUMBER: 4400-032 LF.
 CUSTOMER MUST SPECIFY STANDARD OR RoHS PART NUMBER WHEN ORDERING.
2. LEAD, BUSHING, AND MOUNTING HARDWARE: SILVER PLATED.
3. PART MARKING: TRADEMARK AND VARIATION NUMBER ON HEX FLATS. STANDARD PART: BLACK INK. RoHS PART: GREEN INK.
4. OPERATING TEMPERATURE RANGE : -55°C TO +125°C.
5. MAX. RECOMMENDED SOLDERING TEMPERATURE: 260°C.
6. SUPPLIED WITH HEX NUT AND INTERNAL TOOTH LOCK WASHER.
7. MAX. RECOMMENDED MOUNTING TORQUE - 2.0 lb.-in. [.226 Nm].

CAP.(pf)	TOLERANCE	DC WORKING VOLTAGE		I.R. MIN. @ 100 (VDC.)	DWV (VDC)	DC CURRENT (AMPS)	MIN. NO LOAD INSERTION LOSS (dB) @ 25°C PER MIL-STD-220				
		85°C	125°C				1 MHz	10 MHz	100 MHz	1 GHz	10 GHz
1200	GMV	300	200	10 G Ω	500	10	----	5	20	35	45

X-2015 Rev-0	REVISION RECORD		Title		BUSHING STYLE EMI FILTER	
	Original Release C.O. 20011102-1-02	0	Drawn S.M. 11-08-01			
	VARS 035,036,037 & 1MHZ COLUMN ADDED. L.E. 11-07-90		1	Approved B.Mc. 11-08-01		A
	RDN TO COMP FMT & ADDED METRIC. S.M. 11-08-01		2	4400-032		
	REVISED DWG. DRAWING MADE FOR EACH VAR. S.M. 11-19-02		3			
CORRECTED ELECT. BLOCK S.M. 02-27-03		4				
ADDED AND REVISED NOTES. S.M. 12-14-05		5				
TUSONIX TUCSON, ARIZONA						