



Distributor of CTS Electronic Components: Excellent Integrated System Limited

Datasheet of 4400-034LF - FILTER EMI 5000 PF C TYPE

Contact us: sales@integrated-circuit.com Website: www.integrated-circuit.com

Excellent Integrated System Limited

Stocking Distributor

Click to view price, real time Inventory, Delivery & Lifecycle Information:

[CTS Electronic Components](#)

[4400-034LF](#)

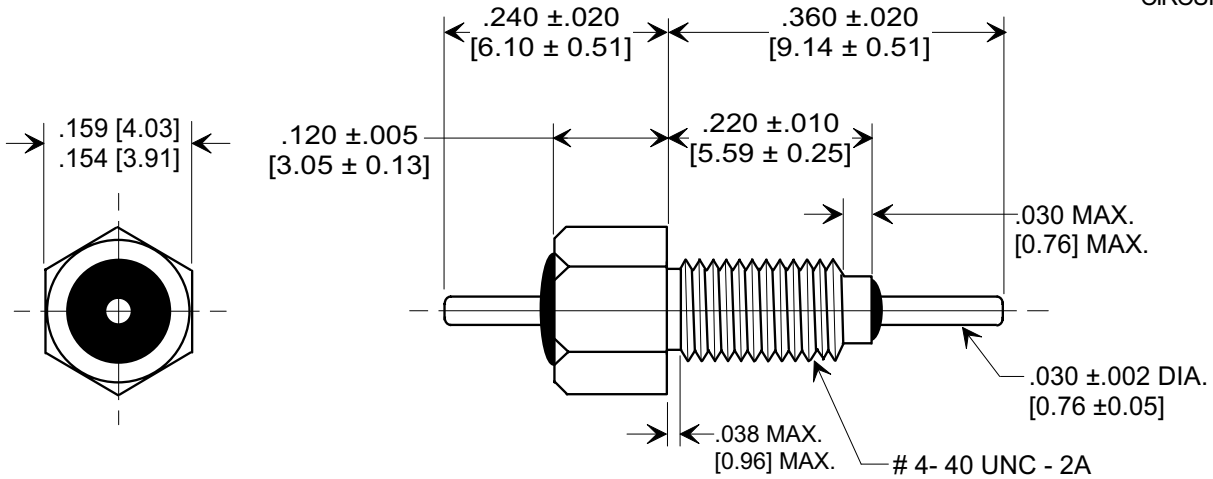
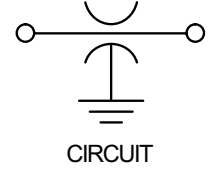
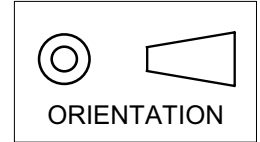
For any questions, you can email us directly:

sales@integrated-circuit.com

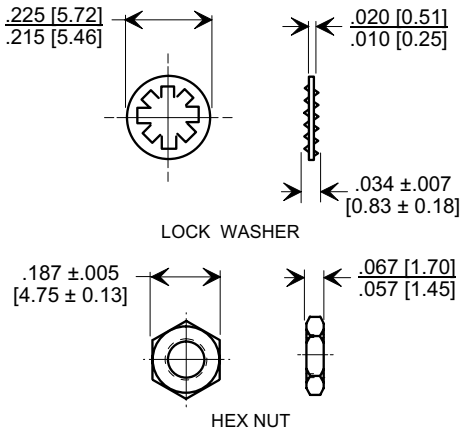
MARKETING SALES DRAWING

Electrical Testing
 per Tusonix standard
 test plans and Mil-Std-202
 Test Methods.

DIMENSIONS IN INCHES - DO NOT SCALE THIS DRAWING
DIMENSIONS IN METRIC - []



MOUNTING HARDWARE



Notes:

- Operating temperature range : -55°C to +125°C.
- Silver plated case, lead and mounting hardware.
- Max.recommended mounting torque : 2.0 lb. - in.
- Max. recommended soldering temperature : 260°C.
See installation recommendations.
- Nut and lock washer included.
- Tusonix Standard part number: 4400-034.
Tusonix RoHS compliant part number: 4400-034 LF.
Customer must specify Standard or RoHS part number when ordering.
- Part Marking: Trademark and Variation on flats: Standard Part, Black Ink. RoHS Part, green ink for identification.

CAP.(pf)	TOLERANCE	DC WORKING VOLTAGE		I.R. MIN. @ 100 (VDC.)	DWV (VDC)	DC CURRENT (AMPS)	MIN. NO LOAD INSERTION LOSS (dB) @ 25°C PER MIL-STD-220				
		85°C	125°C				1 MHz	10 MHz	100 MHz	1 GHz	10 GHz
5000	GMV	150	100	10 G	250	10	----	15	30	45	55

X-2015 Rev-0	REVISION RECORD				--TOLERANCES-- Unless Otherwise Specified	Title BUSHING STYLE EMI FILTER	
	Original Release C.O. 20011102-1-02 VARS 035,036,037 & 1MHz COLUMN ADDED. L.E. 11-07-90	0					
	5591 RDN TO COMP FMT & ADDED METRIC. S.M. 11-08-01	1					
	20011102-1-02 REVISED DWG. DRAWING MADE FOR EACH VAR. S.M. 11-19-02	2					
20021113-1-05 REVISED NOTE 6 AND ADDED NOTE 7. S.M. 07-25-05	3			DECIMAL ± NOTED	Drawn S.M. 11-08-01		Scale 5 X
20050714-4-02	4				Approved B.Mc. 11-08-01		
				TUSONIX TUCSON, ARIZONA	A	4400-034	