



Distributor of CTS Electronic Components: Excellent Integrated System Limited

Datasheet of 4700-008MLF - FILTER EMI 4000 PF PI TYPE

Contact us: sales@integrated-circuit.com Website: www.integrated-circuit.com

Excellent Integrated System Limited

Stocking Distributor

Click to view price, real time Inventory, Delivery & Lifecycle Information:

[CTS Electronic Components](#)

[4700-008MLF](#)

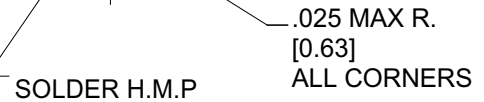
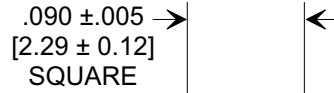
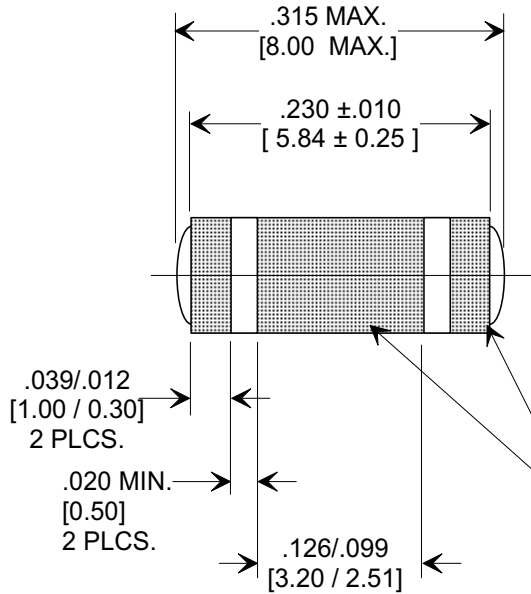
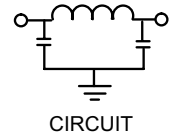
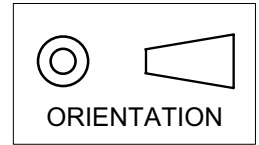
For any questions, you can email us directly:

sales@integrated-circuit.com

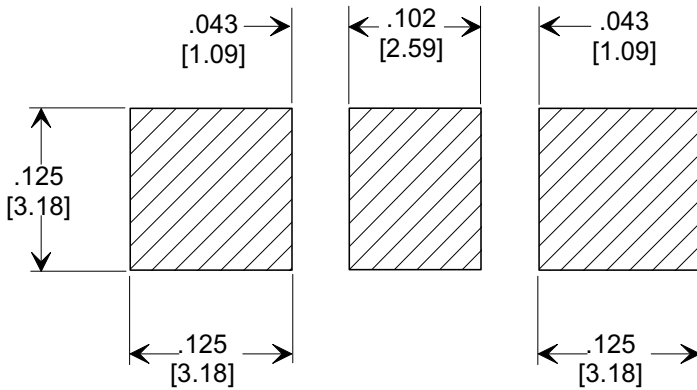
MARKETING SALES DRAWING

DIMENSIONS IN INCHES - DO NOT SCALE THIS DRAWING
 DIMENSIONS IN METRIC []

Electrical Testing
 per Tusonix standard
 test plans and Mil-Std-202
 Test Methods.



ELECTRODE
 TERMINATION
 SEE NOTE 5



SUGGESTED
 MOUNTING PATTERN

1. INDUCTANCE TO BE 0.1 H MINIMUM.
2. PACKAGE: BULK OR BLISTER TAPE TO IEC-60286-3 TYPE II AND EIA-481-A.
3. TUSONIX STANDARD PART NUMBER: 4700-008. TUSONIX RoHS COMPLIANT PART NUMBER: 4700-008 LF. CUSTOMER MUST SPECIFY STANDARD OR RoHS PART NUMBER WHEN ORDERING.
4. PART MARKING: STANDARD PART: NO MARKING. RoHS PART: LABELED ON PACKAGING ONLY.
5. ELECTRODE TERMINATION: STANDARD 60/40 SOLDER; RoHS COMPLIANT - MATTE TIN.

CAP.	TOLERANCE	WVDC 85°C	TEST VOLTAGE	I.R.MIN. @ 100 (VDC.)	IDC	TYPICAL NO LOAD INSERTION LOSS dB AT 25°C PER MIL-STD-220		
						10 MHZ	100 MHZ	1 GHZ
4000 pF	+80% / -20%	100	300 VDC	10 G	10 A	13	52	70

X-2015 Rev-0

REVISION RECORD	Original Release C.O.	0	REVISD DWG. DRAWING MADE FOR EACH VAR. S.M. 02-13-03 20030213-1-05 REVISD DRAWING. S.M. 06-20-03 20030619-2-04 ADDED NOTES 3-5. S.M. 06-13-05 20050607-5-03	--TOLERANCES-- Unless Otherwise Specified	Title SURFACE MOUNT SQUARE STYLE PI FILTER		
	DECIMAL ±	.005 [0.13]					
	ANGLES ±					Drawn FG 9-9-94	Scale 7 X
	TUSONIX TUCSON, ARIZONA					Approved NV 9-9-94	A