



Distributor of CTS Electronic Components: Excellent Integrated System Limited

Datasheet of 4700-009MLF - FILTER EMI 470 PF PI TYPE

Contact us: sales@integrated-circuit.com Website: www.integrated-circuit.com

Excellent Integrated System Limited

Stocking Distributor

Click to view price, real time Inventory, Delivery & Lifecycle Information:

[CTS Electronic Components](#)

[4700-009MLF](#)

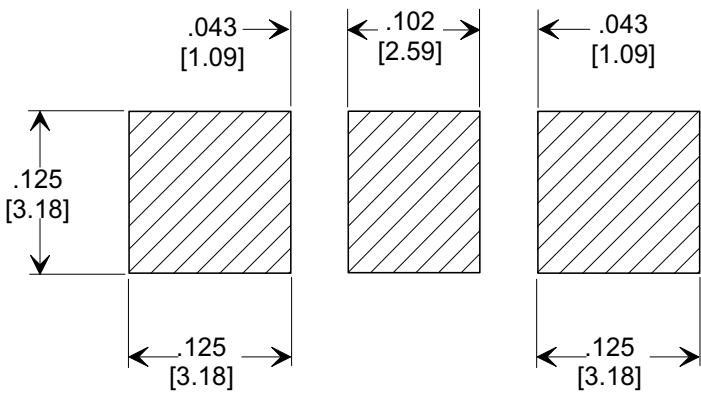
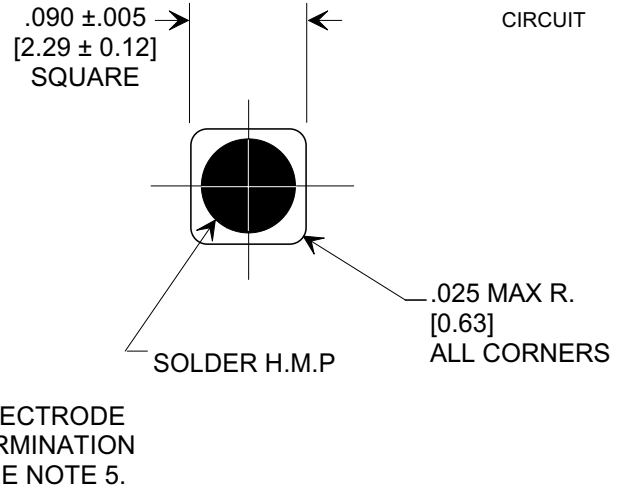
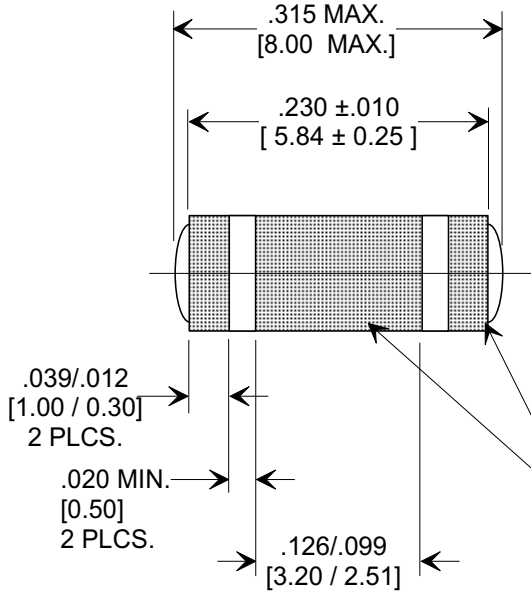
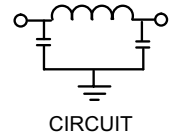
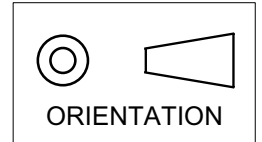
For any questions, you can email us directly:

sales@integrated-circuit.com

MARKETING SALES DRAWING

DIMENSIONS IN INCHES - DO NOT SCALE THIS DRAWING
 DIMENSIONS IN METRIC []

Electrical Testing
 per Tusonix standard
 test plans and Mil-Std-202
 Test Methods.



1. INDUCTANCE TO BE 0.1 μH MINIMUM.
2. PACKAGE: BULK OR BLISTER TAPE TO IEC-60286-3 TYPE II AND EIA-481-A.
3. TUSONIX STANDARD PART NUMBER: 4700-009. TUSONIX RoHS COMPLIANT PART NUMBER: 4700-009 LF. CUSTOMER MUST SPECIFY STANDARD OR RoHS PART NUMBER WHEN ORDERING.
4. PART MARKING: STANDARD PART: NO MARKING. RoHS PART: LABELED ON PACKAGING ONLY.
5. ELECTRODE TERMINATION: STANDARD 60/40 SOLDER; RoHS COMPLIANT - MATTE TIN.

CAP.	TOLERANCE	WVDC		TEST VOLTAGE	I.R. MIN. @ 100 (VDC.)	I _{DC}	TYPICAL NO LOAD INSERTION LOSS dB AT 25°C PER MIL-STD-220		
		85°C	+125°C				10 MHZ	100 MHZ	1 GHZ
470 pF	+80% / -20%	100	100	300 VDC	10 G Ω	10 A	1	16	40

X-2015 Rev-0

REVISION RECORD	0	Original Release C.O. 20020111-1-01	REVISOR	1	REVISED DWG. I.R. MIN @ 100 (VDC) ADDED S.M. 02-13-03	DATE	2	20030619-2-05	REVISION NOTES	3	20050916-1-03	
	1	20030213-1-13		2	20030619-2-05		3	20050916-1-03				
	2	20030619-2-05		3	20050916-1-03							
	3	20050916-1-03										
--TOLERANCES-- Unless Otherwise Specified							Title		SURFACE MOUNT SQUARE STYLE PI FILTER			
DECIMAL ± .005 [0.13]							Drawn		S.M. 01-14-02		Scale	7 X
ANGLES ±							Approved		B.Mc. 01-14-02			
TUSONIX TUCSON, ARIZONA							A		4700-009			