



**Distributor of CTS Electronic Components: Excellent Integrated System Limited**

Datasheet of 4700-056MLF - FILTER EMI 5000 PF PI TYPE

Contact us: [sales@integrated-circuit.com](mailto:sales@integrated-circuit.com) Website: [www.integrated-circuit.com](http://www.integrated-circuit.com)

---

## **Excellent Integrated System Limited**

Stocking Distributor

Click to view price, real time Inventory, Delivery & Lifecycle Information:

[CTS Electronic Components](#)

[4700-056MLF](#)

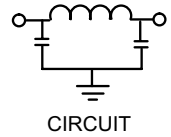
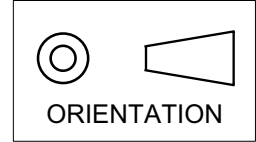
For any questions, you can email us directly:

[sales@integrated-circuit.com](mailto:sales@integrated-circuit.com)

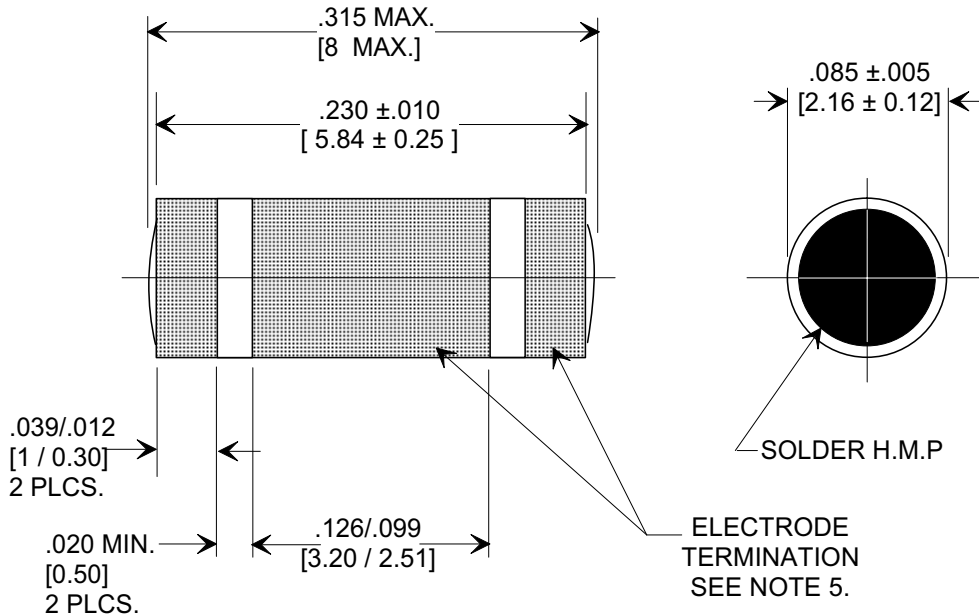
MARKETING SALES DRAWING

DIMENSIONS IN INCHES - DO NOT SCALE THIS DRAWING  
 DIMENSIONS IN METRIC [ ]

This drawing is the property of Tusonix, Inc., and may not be used, reproduced, published or disclosed to others without expressed authorization by Tusonix Inc.

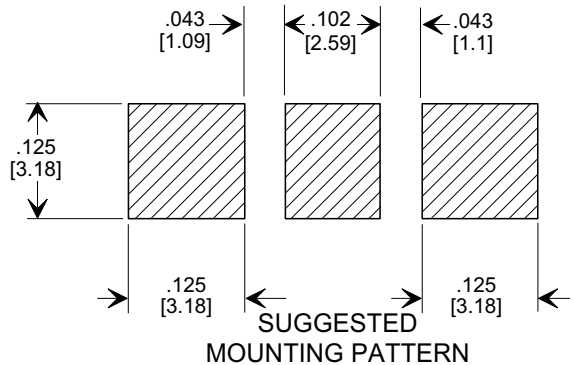


Electrical Testing  
 per Tusonix standard  
 test plans and Mil-Std-202  
 Test Methods.



NOTES:

1. INDUCTANCE TO BE 0.1 μH MINIMUM.
2. PACKAGE: BULK OR BLISTER TAPE TO IEC-60286-3 TYPE II AND EIA-481-A.
3. TUSONIX STANDARD PART NUMBER: 4700-056.  
 TUSONIX RoHS COMPLIANT PART NUMBER: 4700-056 LF.  
 CUSTOMER MUST SPECIFY STANDARD OR RoHS PART NUMBER WHEN ORDERING.
4. PART MARKING - STANDARD PART: NO MARKING.  
 RoHS PART: LABELED ON PACKAGING ONLY.
5. TERMINATION: STANDARD PART: SOLDER  
 RoHS COMPLIANT PART: MATTE TIN.



CAP.	TOLERANCE	WVDC +125°C	TEST VOLTAGE	I.R. MIN. @ 100 (VDC.)	IDC	TYPICAL NO LOAD INSERTION LOSS dB AT 25°C PER MIL-STD-220		
						10 MHZ	100 MHZ	1 GHZ
5000 pF	-20% / +80%	100 @+85°C	300 VDC	10 G Ω	10 A	15	55	70

X-2015 Rev-0

REVISION RECORD	0	Original Release C.O.	ADDED NOTES 3,4 & 5. S.M. 06-09-05	14	ADDED PROPERTY NOTE. REVISED NOTES 2. S.M. 03-09-07	15	20070301-1-19	--TOLERANCES-- Unless Otherwise Specified		Title <b>SURFACE MOUNT ROUND STYLE PI FILTER</b>		
	DECIMAL ± .005 [0.12]							Drawn FG 9-9-94		Scale 10 X		
	ANGLES ±							Approved NV 9-9-94				
	<b>TUSONIX</b> TUCSON, ARIZONA							<b>A</b>		<b>4700-056</b>		