



Distributor of CTS Electronic Components: Excellent Integrated System Limited

Datasheet of 4701-002MLF - FILTER EMI 6800 PF PI TYPE

Contact us: [sales@integrated-circuit.com](mailto:sales@integrated-circuit.com) Website: [www.integrated-circuit.com](http://www.integrated-circuit.com)

---

## Excellent Integrated System Limited

Stocking Distributor

Click to view price, real time Inventory, Delivery & Lifecycle Information:

[CTS Electronic Components](#)

[4701-002MLF](#)

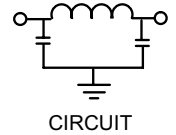
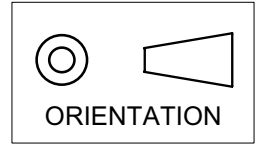
For any questions, you can email us directly:

[sales@integrated-circuit.com](mailto:sales@integrated-circuit.com)

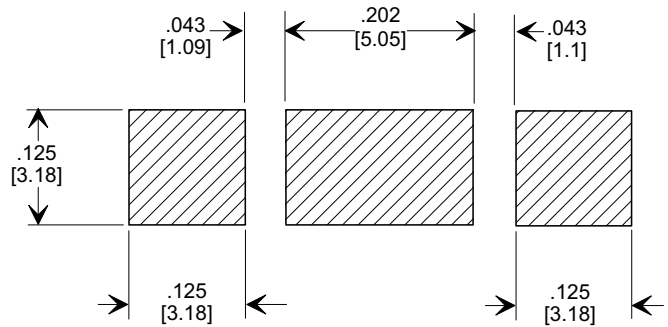
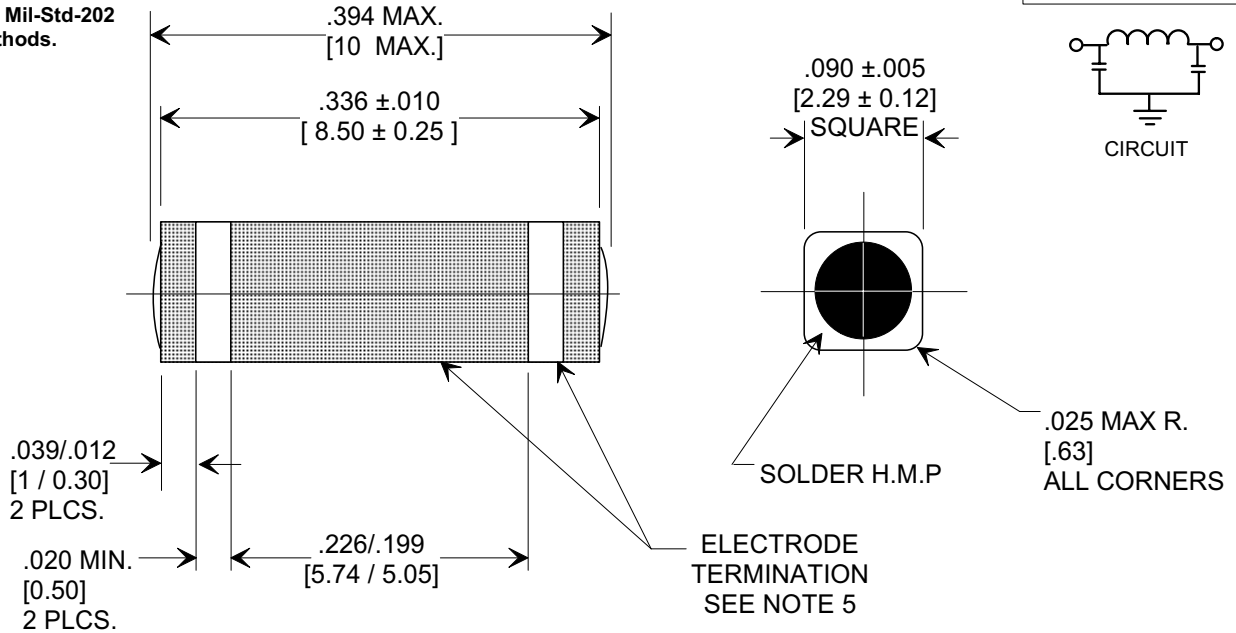
This drawing is the property of Tusonix, Inc., and may not be used, reproduced, published or disclosed to others without expressed authorization by Tusonix Inc.

**MARKETING SALES DRAWING**

DIMENSIONS IN INCHES - DO NOT SCALE THIS DRAWING  
 DIMENSIONS IN METRIC [ ]



**Electrical Testing**  
 per Tusonix standard  
 test plans and Mil-Std-202  
 Test Methods.



**NOTES:**

1. INDUCTANCE TO BE 0.1 μH MINIMUM.
2. PACKAGE: BULK OR BLISTER TAPE TO IEC-60286-3 TYPE II AND EIA-481-A.
3. TUSONIX STANDARD PART NUMBER: 4701-002.  
 TUSONIX RoHS COMPLIANT PART NUMBER: 4701-002 LF.  
 CUSTOMER MUST SPECIFY STANDARD OR RoHS PART NUMBER WHEN ORDERING.
4. PART MARKING: STANDARD PART: NO MARKING. RoHS PART: LABELED ON PACKAGING ONLY.
5. ELECTRODE TERMINATION: STANDARD: 60/40 SOLDER. RoHS COMPLIANT: MATTE TIN.

CAP.	TOLERANCE	WVDC +85°C	TEST VOLTAGE	I.R.MIN. @ 100 (VDC.)	IDC	TYPICAL NO LOAD INSERTION LOSS dB AT 25°C PER MIL-STD-220		
						10 MHZ	100 MHZ	1 GHZ
6,800 pF	+80% / -20%	100	300 VDC	10 G Ω	10 A	16	60	70

X-2015 Rev-0	REVISION RECORD		--TOLERANCES-- Unless Otherwise Specified		Title <b>SURFACE MOUNT SQUARE STYLE PI FILTER</b>	
	Original Release	0	DECIMAL ±	.005 [0.10]	Drawn EC 08-11-95	
	C.O. 950911-2	6	ANGLES ±		Scale 7 X	
	DIM .090 WAS .085 REVISED MOUNTING PAT. S.M. 09-19-01		ADDED PROPERTY NOTE. REMOVED ELE TERMINATION. NOTE 2 REVISED.S.M.03-12-07		Approved NV 08-11-95	
	20010918-3-03	7	TUSONIX		A 4701-002	
	REVISED DWG. DRAWING MADE FOR EACH VAR. S.M. 02-13-03		TUCSON, ARIZONA			
	20030213-1-11	8				
	REVISED DRAWING. S.M. 03-23-03					
	20030619-2-11	9				
	ADDED NOTES 3,4 & 5. S.M. 06-23-05					
20050617-3-03	10					
20070301-1-11						