



Distributor of CTS Electronic Components: Excellent Integrated System Limited

Datasheet of M15733/66-0001 - FILTER EMI 1750 PF PI TYPE MIL

Contact us: sales@integrated-circuit.com Website: www.integrated-circuit.com

Excellent Integrated System Limited

Stocking Distributor

Click to view price, real time Inventory, Delivery & Lifecycle Information:

[CTS Electronic Components](#)

[M15733/66-0001](#)

For any questions, you can email us directly:

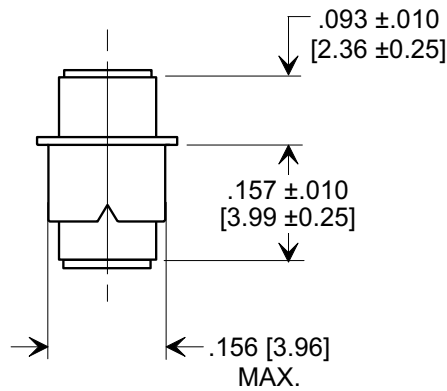
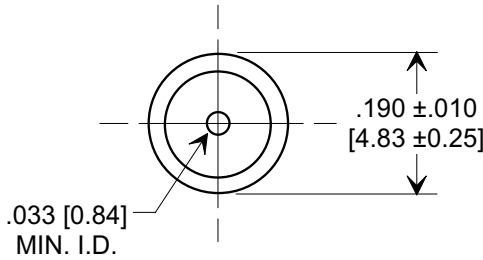
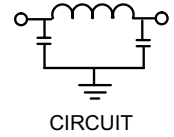
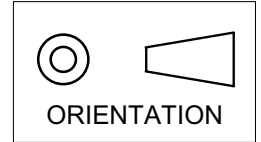
sales@integrated-circuit.com

MARKETING SALES DRAWING

DIMENSIONS IN INCHES - DO NOT SCALE THIS DRAWING
DIMENSIONS IN METRIC - []

This drawing is the property of Tusonix, Inc., and may not be used, reproduced, published or disclosed to others without expressed authorization by Tusonix Inc.

Electrical Testing per Tusonix standard test plans and Mil-Std-202 Test Methods.



MIN. CAP. (pF)	WORKING VOLTAGE (VVdc)	CURRENT Idc.	I.R. MIN. @ 100 (VDC.)	DWV (VDC)	MINIMUM NO LOAD INSERTION LOSS (dB) AT 25°C PER MIL-STD-220			
	125°C				10 MHz	100 MHz	1 GHz	10 GHz
1750	125	10 A	10 G Ω	313	5	35	50	50

X-2015 Rev-0

REVISION RECORD

0
Original Release
C.O. 20070605-4-01

--TOLERANCES--
Unless Otherwise Specified

DECIMAL ± $\frac{\quad}{\quad}$

ANGLES ± $\frac{\quad}{\quad}$

TUSONIX
TUCSON, ARIZONA

Title **EYELET STYLE EMI FILTER MIL 15733/66-0001**

Drawn S.M. 06-05-07 Scale **4 X**

Approved T.C. 06-05-07

A **4101-500**