



Excellent Integrated System Limited

Stocking Distributor

Click to view price, real time Inventory, Delivery & Lifecycle Information:

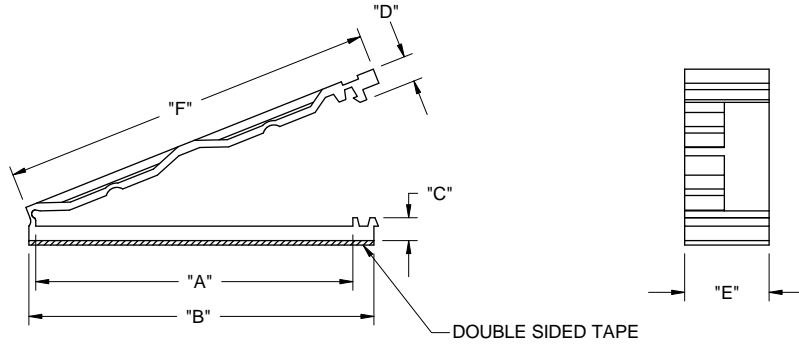
[Essentra Components \(formerly Richco, Inc.\)](#)
[TFCM-25S](#)

For any questions, you can email us directly:

sales@integrated-circuit.com

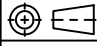

PART NO.	"A"	"B"	"C"	"D"	"E"	"F"	SUITABLE CABLE
TFCM-25S	.87 (22.0)	1.06 (27.0)	.12 (3.0)	.19 (4.7)	.39 (10.0)	1.26 (32.0)	15 PIN
TFCM-25	1.15 (29.3)	1.44 (36.5)	.12 (3.0)	.19 (4.7)	.39 (10.0)	1.57 (40.0)	20 PIN
TFCM-25M	2.20 (55.8)	2.41 (61.2)	.16 (4.0)	.19 (4.7)	.59 (15.0)	2.59 (66.0)	40 PIN

ALL DIMENSIONS ARE FOR REFERENCE ONLY



NOTES:

- MATERIAL: NYLON 6/6 (RMS-74)
FLAME RETARDANT NYLON AVAILABLE BY SPECIAL ORDER
- COLOR: NATURAL
- TAPE: 1/32" (0.8) THICK DOUBLE SIDED FOAM ADHESIVE (RMS-431)

TITLE: TENSION FLAT CABLE CLAMP						
CREATED USING SOLIDWORKS			FILE #: TFCM	DWN: S.J.	APP: SJ	FINAL
TOLERANCES UNLESS NOTED .XX±.010 .XXX±.005 FRACTION±1/64 ANG±1°			SHEET: 1 OF 1	SHEET SIZE: A	DT: 5.27.03	CHKD: DJZ
RE: RICHCO, INC.			RICHCO, INC. ENG@RICHCO-INC.COM (773) 539-4060		PART # SEE TABLE	
B CHANGED RMS NO. SEE CO 200715 FOR CHANGES SK 10/03/11					PRINT TYPE CA	
A RELEASED FOR PRODUCTION SM 05/28/03						
REV. DESCRIPTION ENGR. DATE						