

Excellent Integrated System Limited

Stocking Distributor

Click to view price, real time Inventory, Delivery & Lifecycle Information:

[Infineon Technologies](#)

[BTM781GP](#)

For any questions, you can email us directly:

sales@integrated-circuit.com



Never stop thinking

[Home](#) > [Design:Link](#) > Issue 1/2008 > Power > **New Trilith IC and NovalithIC™ product families**

Trilith IC and NovalithIC™ product families go green



In 2008, Infineon will be rolling out its green and robust solutions for the motor control product families Trilith IC (multi-purpose configurable full-bridge drivers) and NovalithIC™ (multi-purpose half-bridge drivers). The switch to green will be accompanied by new names for these product families:

- BTM Trilith IC motor driver, RoHS-compliant
- BTN NovalithIC™ half-bridge motor driver, RoHS-compliant

The new green design offers improved product performance and better reliability by following the automotive power robust package approach, supporting our zero-defect target.

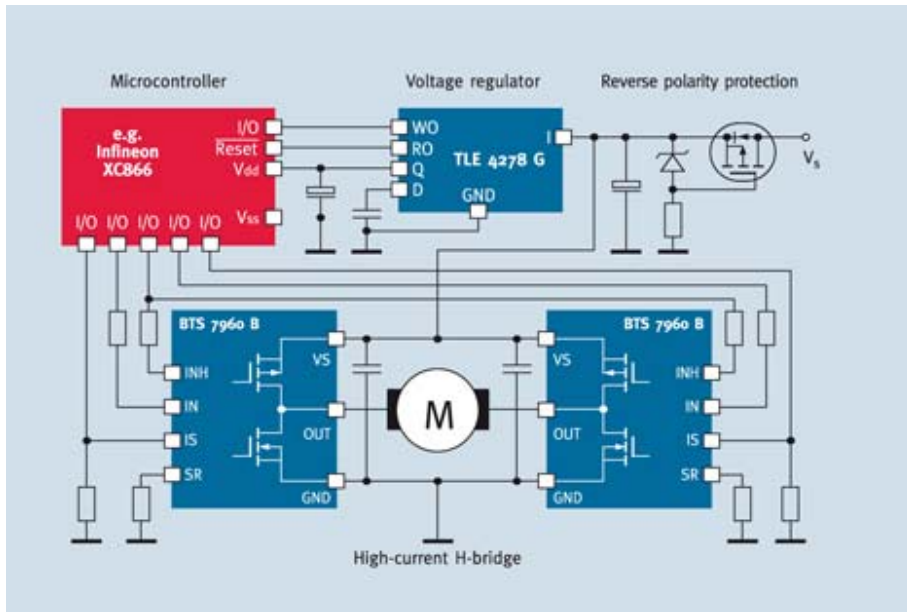
Key features

- Integration of power stage, driver and protection in small package
- Integrated protection against overtemperature, overcurrent, over- and undervoltage
- Status flag diagnostics with analog current sense (NovalithIC™)
- Pulse-width modulation (PWM) capability up to 25 kHz (NovalithIC™) combined with active freewheeling
- Low quiescent current, down to 7 μ A

Applications

- Motor drive applications with 1 A DC up to 70 A peak
- Automotive: door locks, gear boxes, belt pretensioners
- Industrial: sliding doors, robotics, heating, ventilation and airconditioning (HVAC) systems
- Consumer: battery-driven tools and toys, household goods such as coffee machines

Application examples include automotive wipers and power windows, battery-powered tools and wheelchairs for industrial applications



Order number

BTM7700G	SP000306876
BTM7710G	SP000306878
BTM7710GP	SP000303743
BTM7740G	SP000306879
BTM7741G	SP000306880
BTM7750G	SP000306881
BTM7750GP	SP000303751
BTM7751G	SP000306882
BTM7752G	SP000267008
BTM7755G	SP000267009
BTM7810K	SP000311145
BTM7811K	SP000303752
BTM781GP	SP000311146
BTN7930B	SP000299767
BTN7930P	SP000314911
BTN7930S	SP000355958
BTN7960B	SP000299768
BTN7960P	SP000317942
BTN7960S	SP000355960
BTN7970B	SP000299769
BTN7970P	SP000355967
BTN7970S	SP000355961
BTN7971B	SP000379686

Ask Infineon!

International Toll Free:

0(0)800 951 951 951

Direct Access:

+49 89 234 65555

Infineon is happy to help you:

- [Infineon Service Center](#)



Where to buy

Please use our location finder to get in contact with your nearest Infineon distributor or sales office

- [Find a location](#)

Related Links

- [Integrated High current Motor Drivers](#)

© 1999 - 2009 [Infineon Technologies AG](#) - Usage of this website is subject to our [Usage Terms](#) - [Imprint](#) - [Contact](#) - [Privacy Policy](#)