

## **Excellent Integrated System Limited**

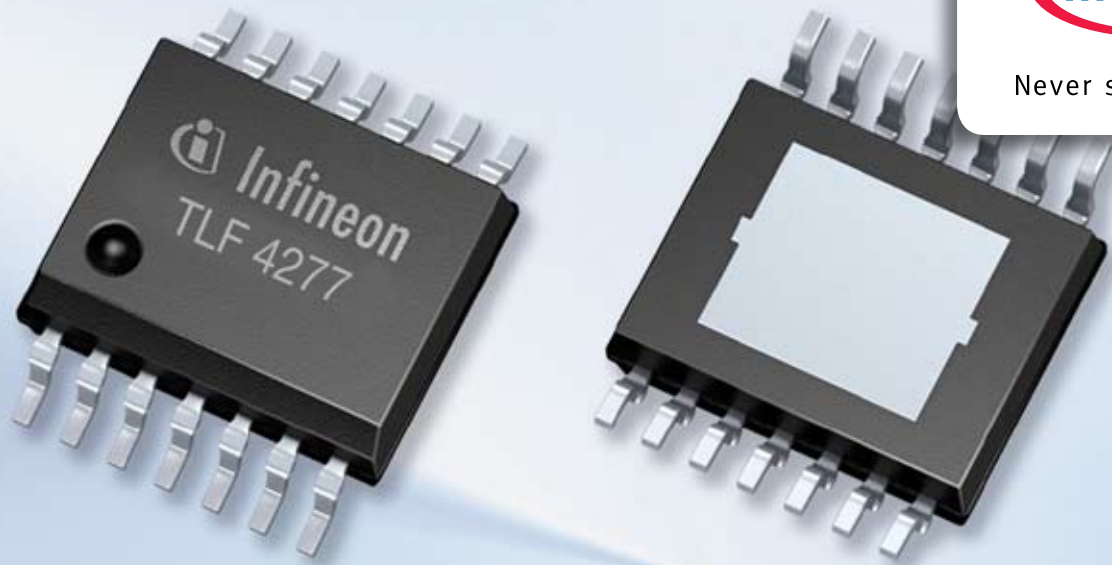
Stocking Distributor

Click to view price, real time Inventory, Delivery & Lifecycle Information:

[Infineon Technologies](#)  
[TLF4277EL](#)

For any questions, you can email us directly:

[sales@integrated-circuit.com](mailto:sales@integrated-circuit.com)



## TLF 4277 active antenna supply

The TLF 4277 is a monolithic integrated low drop out voltage regulator capable of supplying loads up to 200 mA.

For an input voltage up to 40 V the TLF 4277 provides an adjustable output voltage in a range from 5 V up to 12 V.

The integrated current monitor function is a unique feature that provides diagnosis and system protection functionality. Fault conditions such as overtemperature and output overvoltage are monitored and indicated at the current sense output. The maximum output current limit of the device is adjustable to provide additional protection to the connected load.

Via the enable function the IC can be disabled to lower the power consumption. The PG-SSOP14 EP package provides an enhanced thermal performance within a SO8 body size.

### Application:

The TLF 4277 is the ideal companion IC to supply active antennas for car infotainment applications. The adjustable output voltage makes the TLF 4277 capable of supplying the majority of standard active antennas such as:

- FM/AM
- DAB
- XM
- SIRIUS

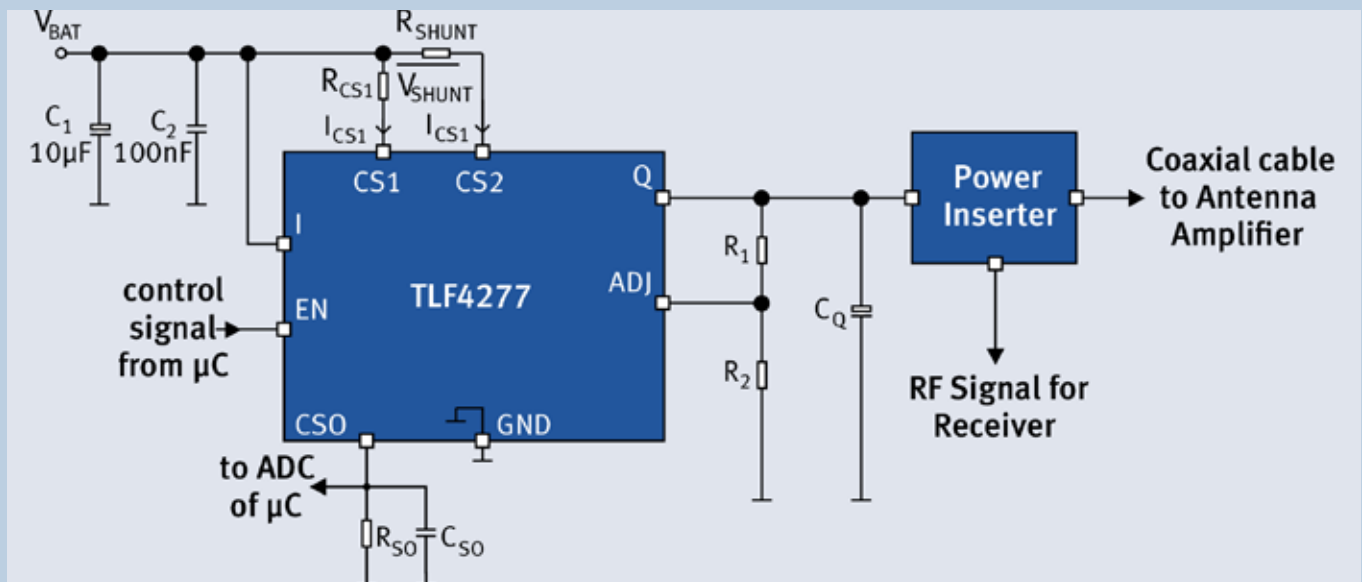
### Key Features

- Current monitor functionality
- Adjustable current limitation
- Adjustable output voltage
- Short-circuit detection to GND and battery voltage level
- PG-SSOP14EP package
- Over-temperature detection/ protection

### Key Benefits

- Diagnosis of antenna system status (linear current detection)
- Flexible protection of sensitive components
- Easy adjustment to the application requirements
- Fast identification of short circuit failures
- Enhanced thermal characteristics

# TLF 4277



TLF 4277 Block Diagram

## Key Facts:

- Integrated Current Monitor
- Adjustable Current Limitation
- Adjustable Output Voltage  $V_q = 5V \dots 12V$
- Current Capability 200mA
- Current Consumption in off-Mode less than  $3\mu A @ 25^\circ C / \mu A$  up to  $85^\circ C$
- Low Quiescent Current  $I_q = \max 250\mu A @ I_q = 200\mu A$  up to  $85^\circ C$
- Low drop Out Voltage  $V_{dr} = \max 500mV @ I_q = 150mA @ I_q = 50mA$

How to reach us:  
<http://www.infineon.com>

Published by  
 Infineon Technologies AG  
 81726 Munich, Germany

© 2009 Infineon Technologies AG  
 All Rights Reserved.

**Legal Disclaimer** The information given in this Product Brief shall in no event be regarded as a guarantee of conditions or characteristics. With respect to any examples or hints given herein, any typical values stated herein and/or any information regarding the application of the device, Infineon Technologies hereby disclaims any and all warranties and liabilities of any kind, including without limitation, warranties of non-infringement of intellectual property rights of any third party.

**Information** For further information on technology, delivery terms and conditions and prices, please contact the nearest Infineon Technologies Office ([www.infineon.com](http://www.infineon.com)).

**Warnings** Due to technical requirements, components may contain dangerous substances. For information on the types in question, please contact the nearest Infineon Technologies Office. Infineon Technologies components may be used in life-support devices or systems only with the express written approval of Infineon Technologies, if a failure of such components can reasonably be expected to cause the failure of that life-support device or system or to affect the safety or effectiveness of that device or system. Life support devices or systems are intended to be implanted in the human body or to support and/or maintain and sustain and/or protect human life. If they fail, it is reasonable to assume that health of the user or other persons may be endangered.