

Excellent Integrated System Limited

Stocking Distributor

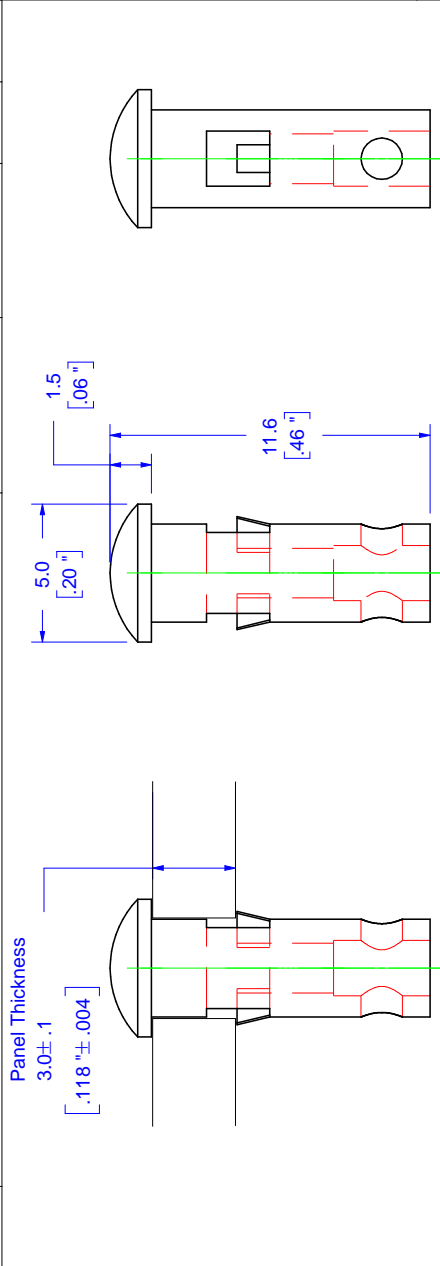
Click to view price, real time Inventory, Delivery & Lifecycle Information:

[Industrial Fiber Optics, Inc.](#)
[51 0470](#)

For any questions, you can email us directly:

sales@integrated-circuit.com

REVISIONS				
REV	DESCRIPTION	ECO	DATE	APVD
A	Initial release		11/12/2008	RD
B	Redrew, fixed diameter of mounting hole	0065	2/9/2010	AR

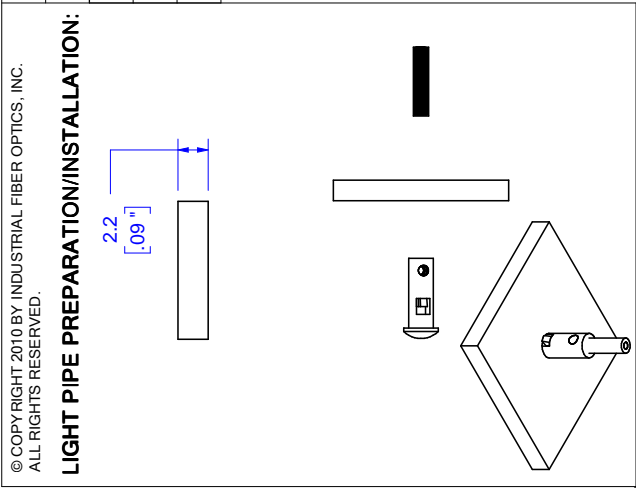


NOTES:

1. ROHS COMPLIANT
2. UL 94V-2 FLAMMABILITY RATING
3. -40°C TO 85°C OPERATING TEMPERATURE
4. SUITABLE FOR LIGHT PIPE WITH Ø2.2mm JACKET AND OPTICAL CORE NO GREATER THAN Ø1.5mm

UNLESS OTHERWISE SPECIFIED DIMENSIONS MILLIMETERS [IN.]		PRODUCT	Light Pipe
TOLERANCES		MATERIAL	Polycarbonate
0 PLC: ±1	SURFACE 3.2/	FINISH	
1 PLC: ±.25	TEXTURE: ▽	DRAWN BY	B. Bidwell
2 PLC: ±.127		DATE	2/9/2010
3 PLC: ±.025		CHECKED BY	A. Reyes
4 PLC: ±.013	ANGLE: ±1/2°	DATE	2/11/2010
REMOVE BURRS AND SHARP EDGES FLATNESS: .005mm PER mm ALL DIMENSIONS AFTER FINISH		PART IS MADE OF TRANSPARENT POLYCARBONATE.	

INDUSTRIAL FIBER OPTICS TEMPE, AZ 85281	
NAME Lens, Light Pipe to Panel	
SIZE A	PART NUMBER 51 0370
SCALE 4:1	REV B
DO NOT SCALE DRAWING	
Sheet 1 of 1	



METRIC