

Excellent Integrated System Limited

Stocking Distributor

Click to view price, real time Inventory, Delivery & Lifecycle Information:

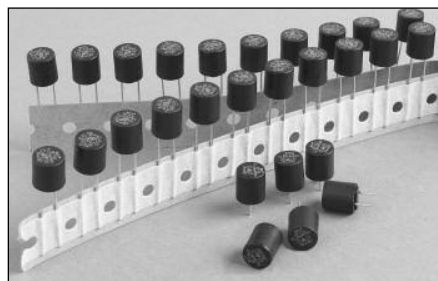
[Eaton \(formerly Cooper Bussmann\)](#)
[SR-5H-6.3A-AP](#)

For any questions, you can email us directly:

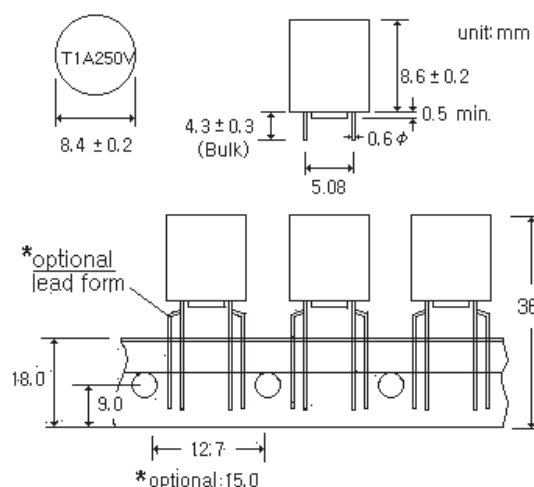
sales@integrated-circuit.com

Description

- Radial Leaded Time Lag Thru-Hole Fuse
- Designed to IEC 60127-3, Sheet 4
- Ideal for electronic lighting ballasts
- cURus Recognized at 300V/100A
- Internationally accepted for primary and secondary overcurrent protection
- Place directly into PCB or plug into BK/PCS holder
- High inrush withstand capability
- Compatible with leaded and lead-free reflow and wave solder
- Base/Cap is Nylon #66, UL 94V0
- Pins are Tin Plated Copper



Dimensions mm/(inches)



ELECTRICAL CHARACTERISTICS									
Rated Current	1.5 In min	2.1 In max	2.75 In		4 In		10 In		
			min	max	min	max	min	max	
1A-6.3A	1hr	2 min	400 ms	10 sec	150 ms	3 sec	20 ms	150 ms	

Agency Information

- cURus: E146895 (1A thru 5A @ 300V/100A)
- PSE: (1A thru 6.3A @ 300V/100A)
- VDE: (1A thru 5A)
- SEMKO: (1A thru 5A) Pending
- CCC (1A thru 6.3A) Pending
- EK: KTL (1A thru 6.3A) Pending

Specifications

- Solderability: EIA-186-9E Method 9
- High Frequency Vibration: MIL-STD-202F, Method 201A
- Operating Temperature: -40°C to +125°C
- Soldering Heat Resistance: 260°C, 10S (IEC 60068-2-20)

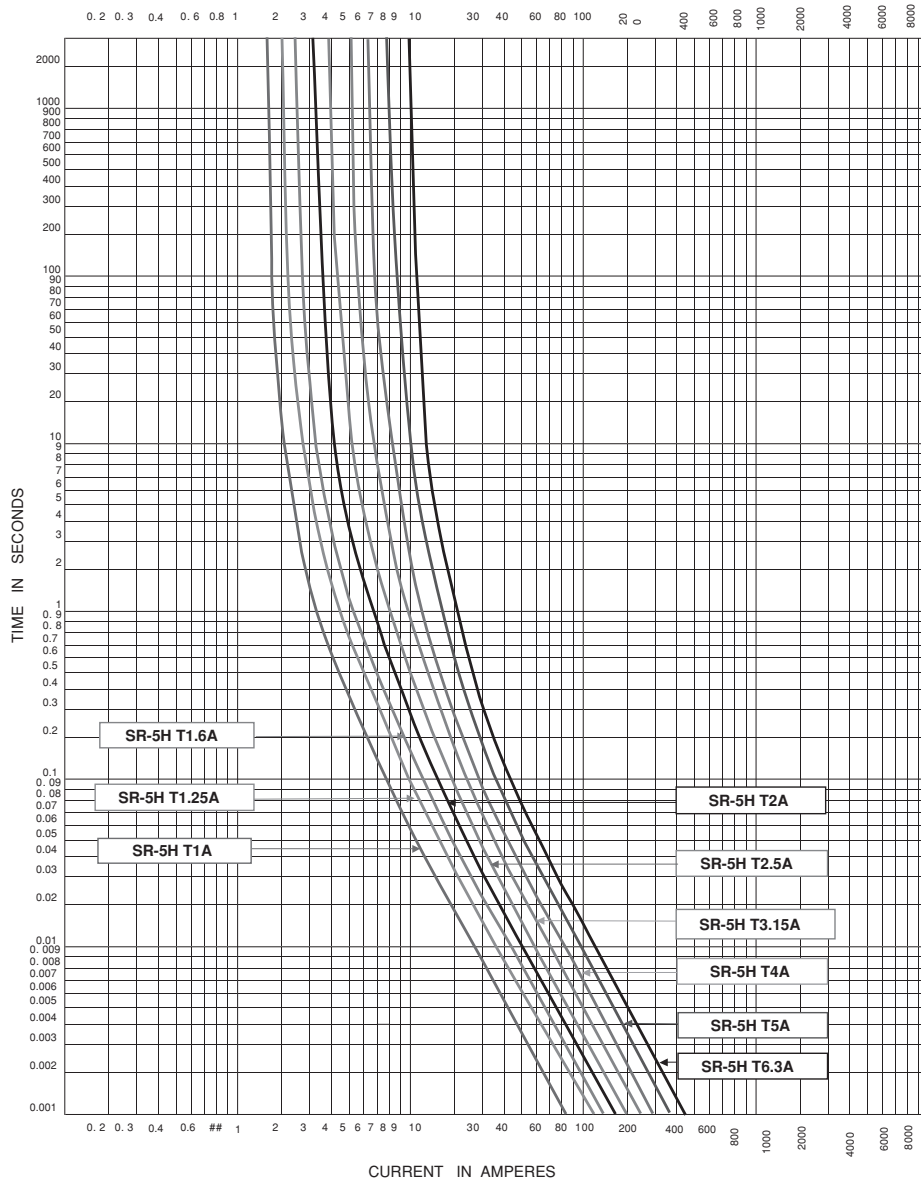
Ordering

- Specify product and packaging code (i.e., SR-5H-1A-AP)

SPECIFICATIONS					
Product Code	Voltage Rating AC	Interrupting Rating @ Rated Voltage	Typical DC Cold Resistance (ohms)	Typical Melting I ² t (A ² s) at 1ms	Maximum Power Dissipation (mW)
SR-5H-1A	250V	100A	0.083	9	500
SR-5H-1.25A	250V	100A	0.061	13	600
SR-5H-1.6A	250V	100A	0.047	24	730
SR-5H-2A	250V	100A	0.031	30	870
SR-5H-2.5A	250V	100A	0.028	45	1000
SR-5H-3.15A	250V	100A	0.023	57	1200
SR-5H-4A	250V	100A	0.015	80	1400
*SR-5H-5A	250V	100A	0.011	120	1800
*SR-5H-6.3A	250V	100A	0.009	140	2000

* Conducting Path min. 0.2mm²

TIME CURRENT CURVE



PACKAGING CODE	
Packaging Code	Description
-AP	Ammo-pack taped 1,000 per box
-BK	In bulk 200 per bag