

Excellent Integrated System Limited

Stocking Distributor

Click to view price, real time Inventory, Delivery & Lifecycle Information:

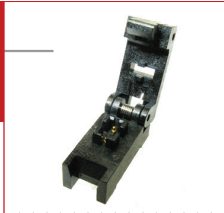
[Abracon Corporation](#)

[AXS-3215-02-01](#)

For any questions, you can email us directly:

sales@integrated-circuit.com

CRYSTAL TEST & BURN IN SOCKET



AXS-3215-02-01

Precision test socket for 3.2x1.5mm
 2 pad crystal packages.



**RoHS
 Compliant**

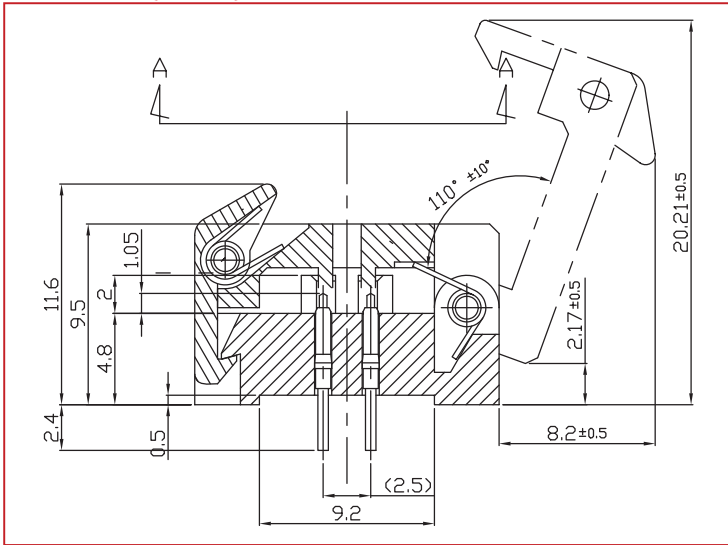
➤ **FEATURES:**

- Accurate and reliable testing of frequency control devices
- Contact force ideal for avoiding measurement error
- Highest quality socket available
- Clam shell design for easy open and close
- Reliable gold plated POGO pins
- Suitable for high temperature burn-in test
- Operating Temperature: -30 ~ +150°C

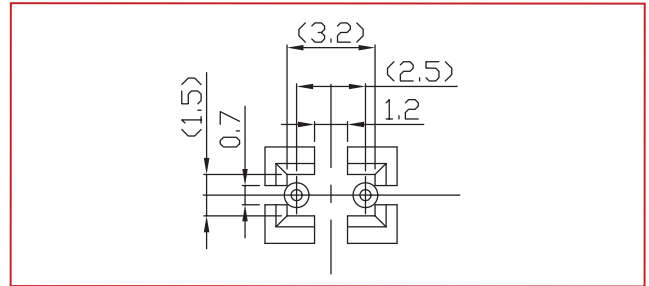
➤ **APPLICATIONS:**

- Design stage component engineering evaluation
- Supplier comparison tests
- High temperature burn-in board testing
- Prototyping

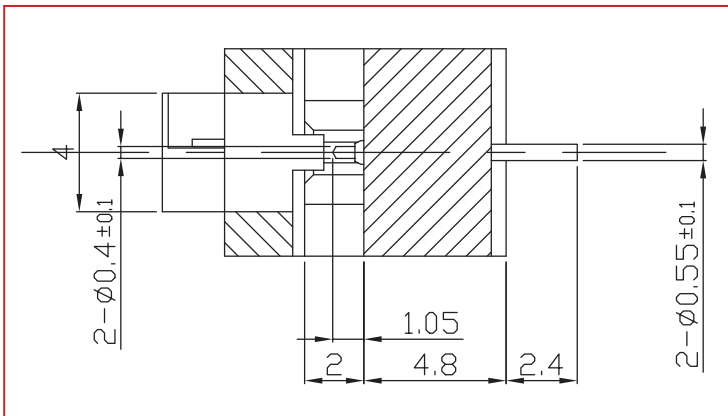
SIDE VIEW (OPEN):



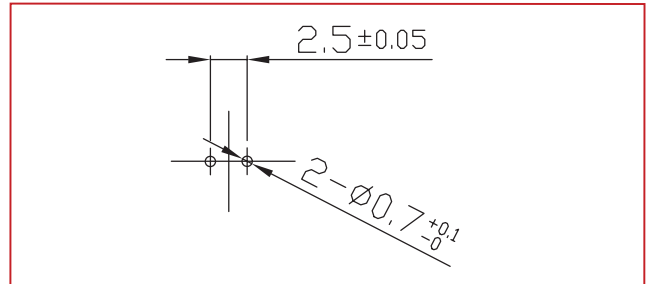
POCKET TOP VIEW:



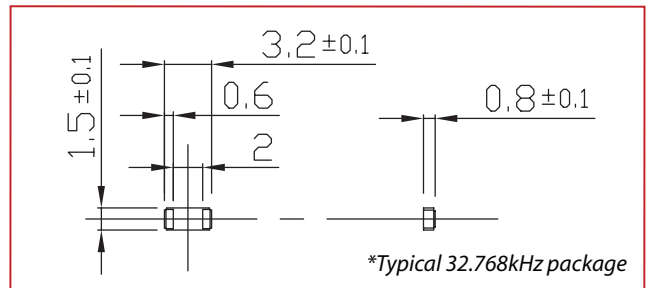
END VIEW:



PIN DIMENSIONS:



SUITABLE CRYSTAL PACKAGE DIMENSIONS:



Dimensions: mm

➤ **ORDERING INFORMATION:**

When ordering, please refer to part number

AXS-3215-02-01

➤ **RECOMMENDED FOR USE WITH DEVICE PACKAGE DIMENSIONS:**

3.2 x 1.5 x 0.8mm

➤ **COMPATIBLE ABRACON SURFACE MOUNT CRYSTAL:**

ABS07

(for a pdf download go to www.abracon.com/Resonators/ABS07.pdf)

* ABRACON test and burn in sockets are compatible with all industry standard frequency control packages.