

Excellent Integrated System Limited

Stocking Distributor

Click to view price, real time Inventory, Delivery & Lifecycle Information:

[Abracon Corporation](#)

[AXS-7050-04-17](#)

For any questions, you can email us directly:

sales@integrated-circuit.com

CRYSTAL OSCILLATOR TEST & BURN IN SOCKET



AXS-7050-04-17

Precision test socket for 7x5mm,
4 pad oscillator packages.



RoHS
Compliant

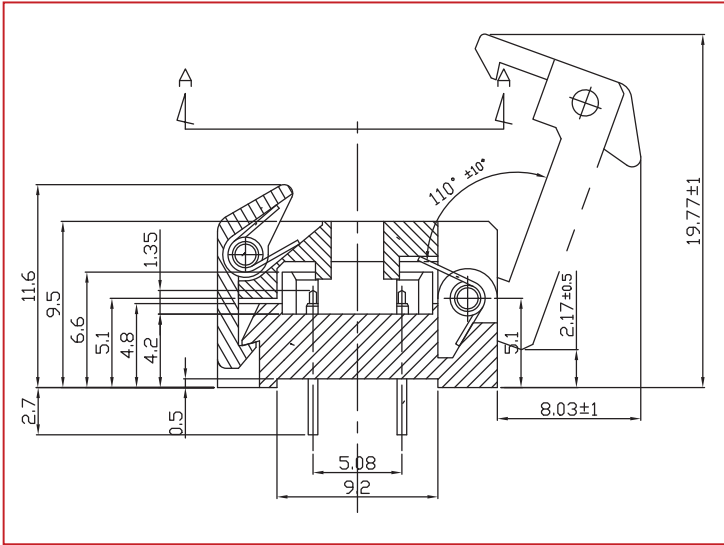
FEATURES:

- Accurate and reliable testing of frequency control devices
- Contact force ideal for avoiding measurement error
- Highest quality socket available
- Clam shell design for easy open and close
- Reliable gold plated POGO pins
- Suitable for high temperature burn-in test
- Operating Temperature: -30 ~ +150°C

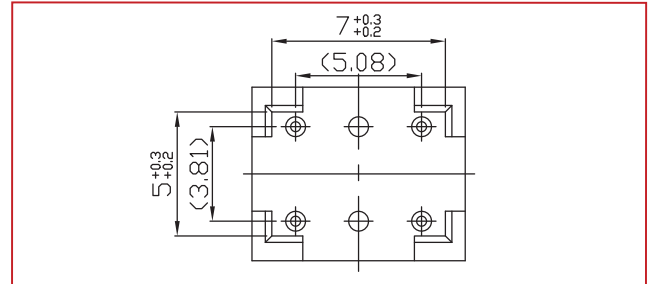
APPLICATIONS:

- Design stage component engineering evaluation
- Supplier comparison tests
- High temperature burn-in board testing
- Prototyping

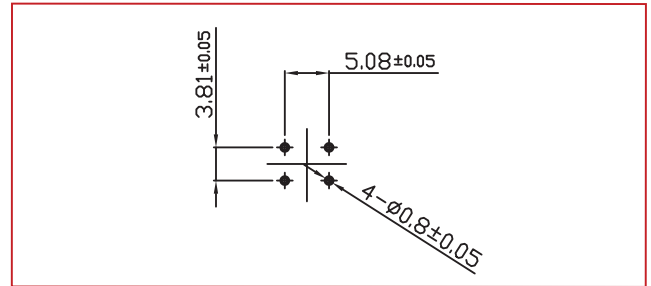
SIDE VIEW (OPEN):



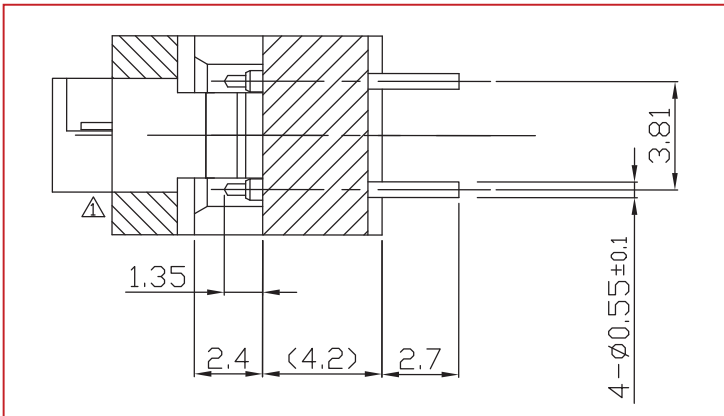
POCKET TOP VIEW:



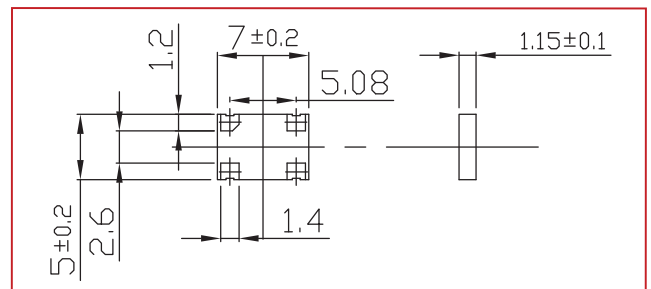
PIN DIMENSIONS:



END VIEW:



SUITABLE CRYSTAL OSCILLATOR PACKAGE DIMENSIONS:



Dimensions: mm

ORDERING INFORMATION:

When ordering, please refer to part number

AXS-7050-04-17

RECOMMENDED FOR USE WITH DEVICE PACKAGE DIMENSIONS:

7.0 x 5.0 x 1.15mm

COMPATIBLE ABRACON SURFACE MOUNT OSCILLATOR:

ASV2 (for a pdf download go to www.abracon.com/Oscillators/ASV2.pdf)

AP7S (for a pdf download go to www.abracon.com/Oscillators/AP7S.pdf)

* ABRACON test and burn in sockets are compatible with all industry standard frequency control packages.