

Excellent Integrated System Limited

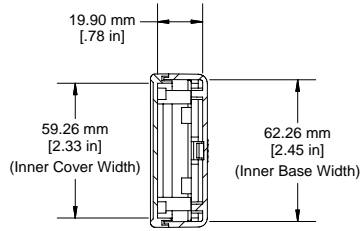
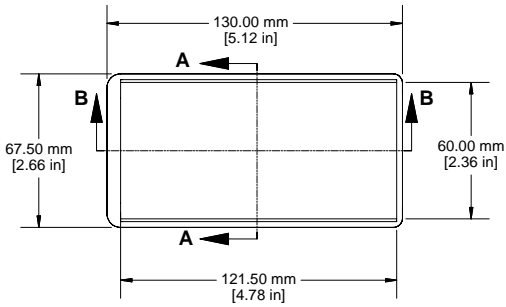
Stocking Distributor

Click to view price, real time Inventory, Delivery & Lifecycle Information:

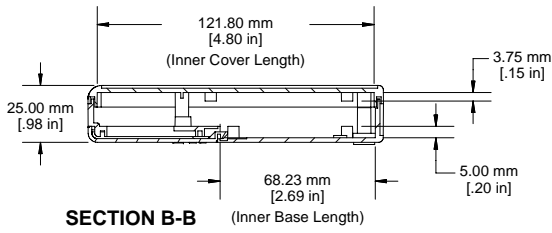
[Hammond Manufacturing](#)
[RH3015](#)

For any questions, you can email us directly:

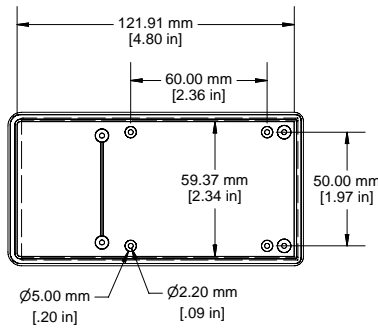
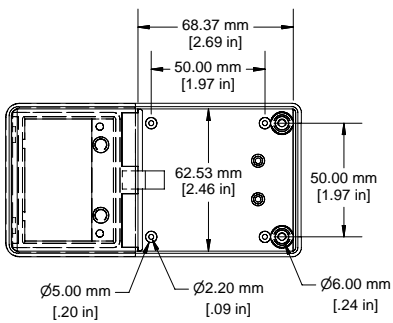
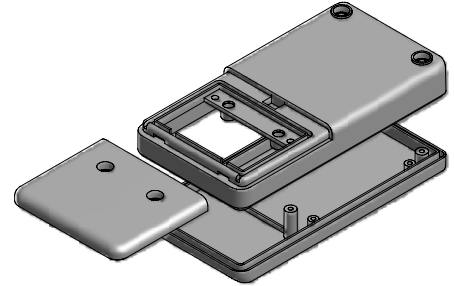
sales@integrated-circuit.com



SECTION A-A



SECTION B-B



Enclosures can be Factory Modified (Milling, Drilling, Printing etc.)
Contact Factory mjm@hammondmfg.com for quotes
Solid models of this enclosure available in STEP or IGES.

| PART NUMBERS | |
|--|----------|
| RH3015 Enclosure | |
| Material: ABS (UL94-HB), Light Gray color | RH3015 |
| Material: ABS (UL94-HB), Black color | RH3011BK |
| ACCESSORIES | |
| Lid Screws: M3 x 18 | |
| Circuit Board Screws, 4 Supplied (M2.6 self tap) | |
| Suggested Lid Screw Torque: 30 ozf-in (21 cN-m) | |



**HAMMOND
MANUFACTURING™**

RH3015

www.hammondmfg.com