

Excellent Integrated System Limited

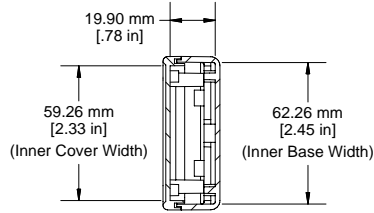
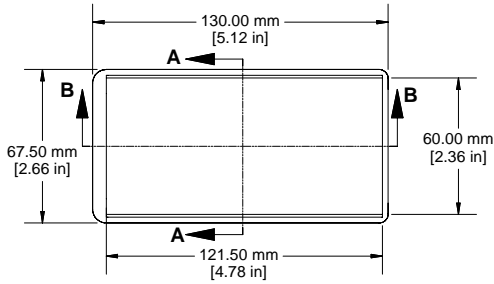
Stocking Distributor

Click to view price, real time Inventory, Delivery & Lifecycle Information:

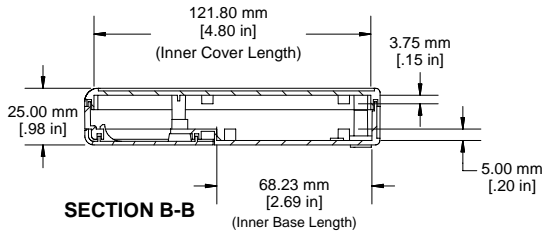
[Hammond Manufacturing](#)
[RH3005](#)

For any questions, you can email us directly:

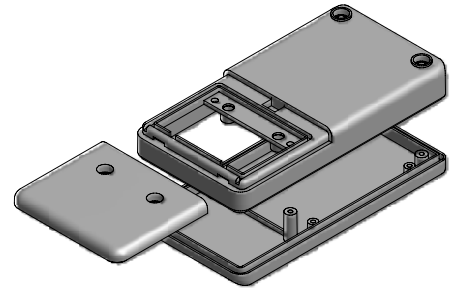
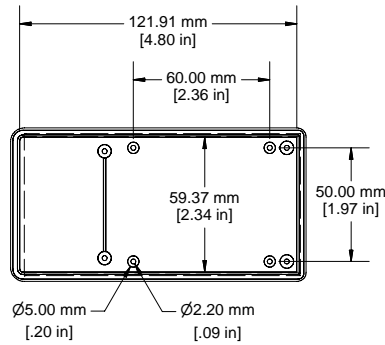
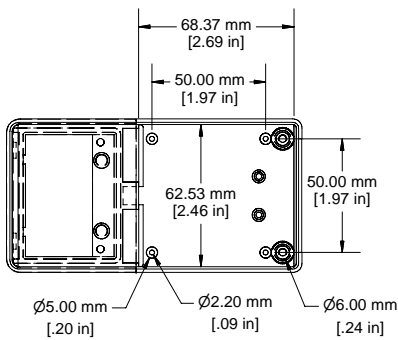
sales@integrated-circuit.com



SECTION A-A



SECTION B-B



Enclosures can be Factory Modified (Milling, Drilling, Printing etc.)
Contact Factory mjm@hammondmfg.com for quotes
Solid models of this enclosure available in STEP or IGES.

PART NUMBERS	
RH3005 Enclosure	
Material: ABS (UL94-HB), Light Gray color	RH3005
Material: ABS (UL94-HB), Black color	RH3001BK
ACCESSORIES	
Lid Screws: M3 x 18	
Circuit Board Screws, 4 Supplied (M2.6 self tap)	
Suggested Lid Screw Torque: 30 ozf-in (21 cN-m)	



**HAMMOND
MANUFACTURING™**

RH3005

www.hammondmfg.com