

## **Excellent Integrated System Limited**

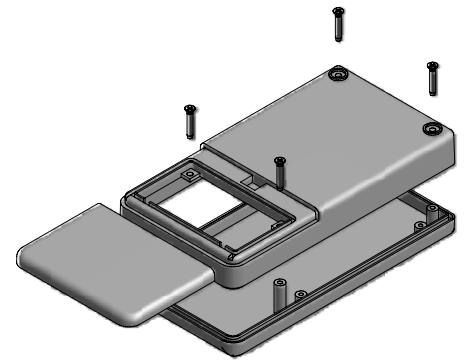
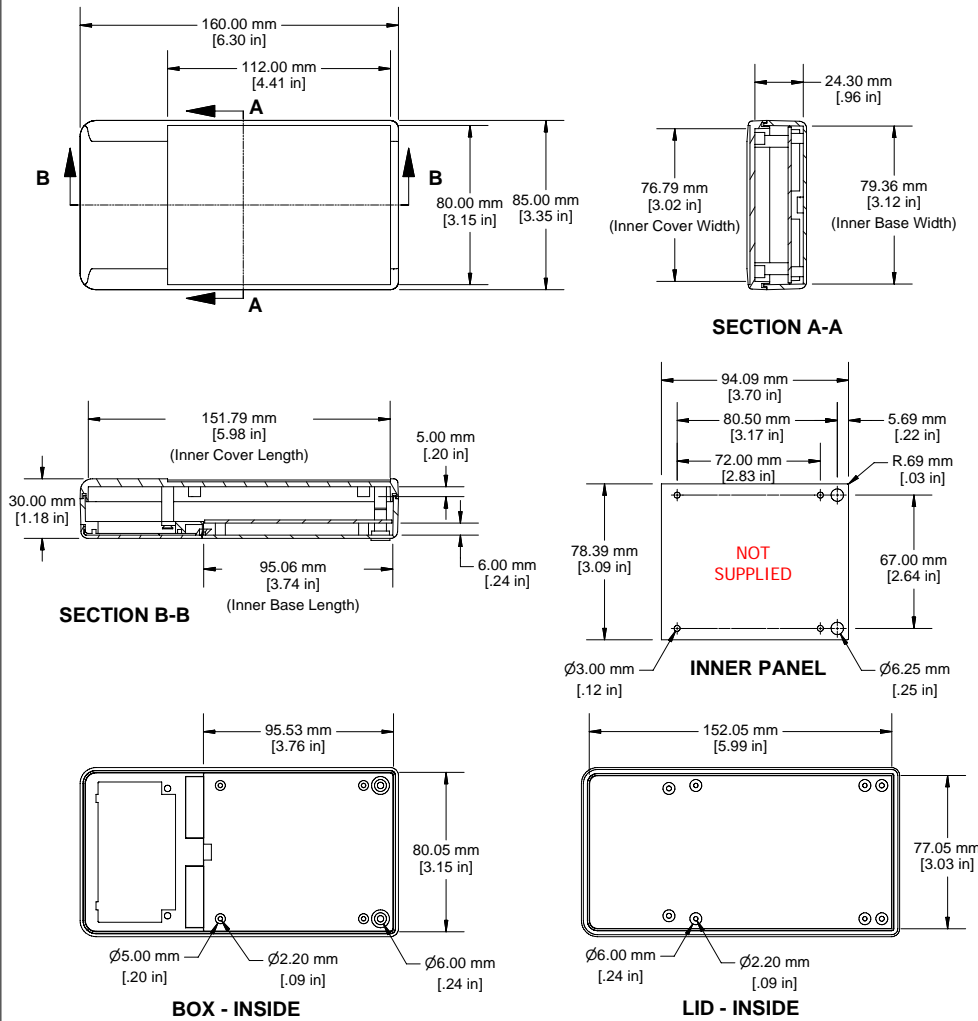
Stocking Distributor

Click to view price, real time Inventory, Delivery & Lifecycle Information:

[Hammond Manufacturing](#)  
[RH3055](#)

For any questions, you can email us directly:

[sales@integrated-circuit.com](mailto:sales@integrated-circuit.com)



Enclosures can be Factory Modified ( Milling, Drilling, Printing etc. )  
Contact Factory [mjm@hammondmfg.com](mailto:mjm@hammondmfg.com) for quotes  
Solid models of this enclosure available in STEP or IGES.

PART NUMBERS	
RH3055 Enclosure	
Material: ABS (UL94-HB), Light Gray color	RH3055
Material: ABS (UL94-HB), Black color	RH3051BK
ACCESSORIES	
Lid Screws: M3 x 18	
Circuit Board Screws, 4 Supplied (M2.6 self tap)	
Suggested Lid Screw Torque: 30 ozf-in (21 cN-m)	



**HAMMOND  
MANUFACTURING™**

**RH3055**

[www.hammondmfg.com](http://www.hammondmfg.com)