

## Excellent Integrated System Limited

Stocking Distributor

Click to view price, real time Inventory, Delivery & Lifecycle Information:

[Bel Fuse Inc.](#)  
[L826-1X4T-23-F](#)

For any questions, you can email us directly:  
[sales@integrated-circuit.com](mailto:sales@integrated-circuit.com)

THE INFORMATION CONTAINED HEREIN IS CONSIDERED "PROPRIETARY" TO BEL FUSE INC. AND SHALL NOT BE COPIED, REPRODUCED OR DISCLOSED WITHOUT THE WRITTEN APPROVAL OF BEL FUSE INC.

LED1 POLARITY			LED2 POLARITY		
PIN 13	PIN 14	COLOR	PIN 15	PIN 16	COLOR
-	+	YELLOW	-	+	GREEN
			+	-	ORANGE



**ELECTRICAL CHARACTERISTICS @ 25°C**

**TURNS RATIO**  
 TP1 1CT : 1CT ±2%  
 TP2 1CT : 1CT ±2%  
 TP3 1CT : 1CT ±2%  
 TP4 1CT : 1CT ±2%

**DCL @ 100kHz/100mVRMS**  
 8mA DC BIAS 350µH MIN.

**INS. LOSS**  
 0.1MHz TO 1MHz -1.1 dB MAX  
 1MHz TO 65MHz -0.5 dB MAX  
 65MHz TO 100MHz -0.8 dB MAX  
 100MHz TO 125MHz -1.2 dB MAX

**RET. LOSS (MIN)**  
 0.5MHz-40MHz -18 dB  
 40MHz-100MHz -12+20LOG(f/80MHz) dB

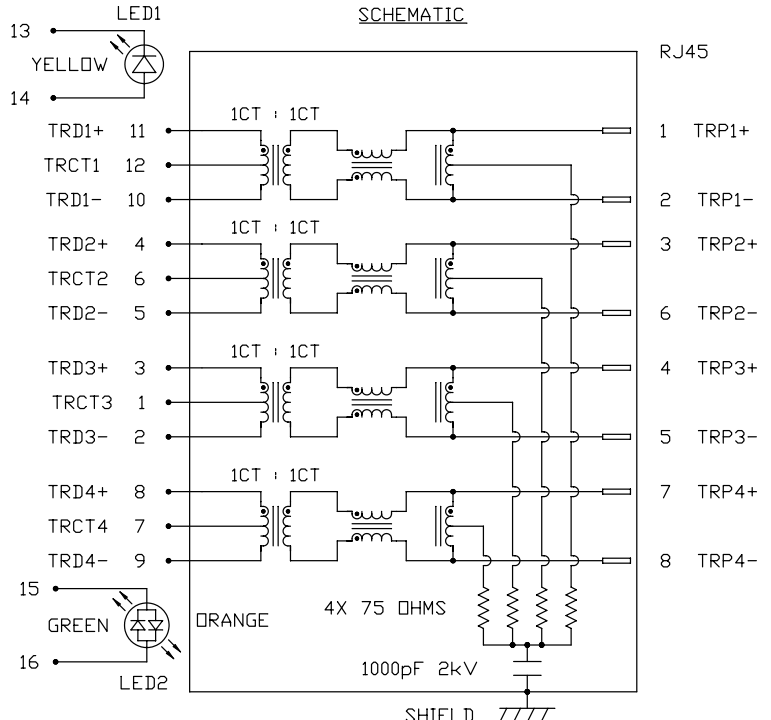
**Cross Talk**  
 Ch1-Ch2, Ch2-Ch3, Ch3-Ch4  
 Ch4-Ch1, Ch2-Ch4, Ch3-Ch1  
 1MHz - 30MHz -37dB MIN  
 30MHz - 80MHz -29dB MIN  
 80MHz - 100MHz -28dB MIN

**CM TO DM REJ**  
 100kHz - 100MHz -35 dB MIN

**HIPDT (Isolation Voltage):** 1500 Vrms  
 100% OF PRODUCTION TESTED TO COMPLY WITH IEEE 802.3 ISOLATION REQUIREMENTS.

**LED1**  
 VF (FORWARD VOLTAGE) IF=20mA YELLOW 2.1V TYP.  
 λD (DOMINANT WAVELENGTH) IF=20mA YELLOW 590nm TYP.

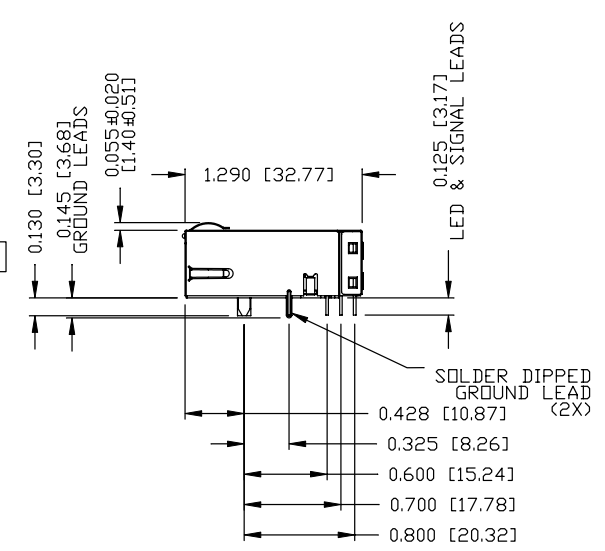
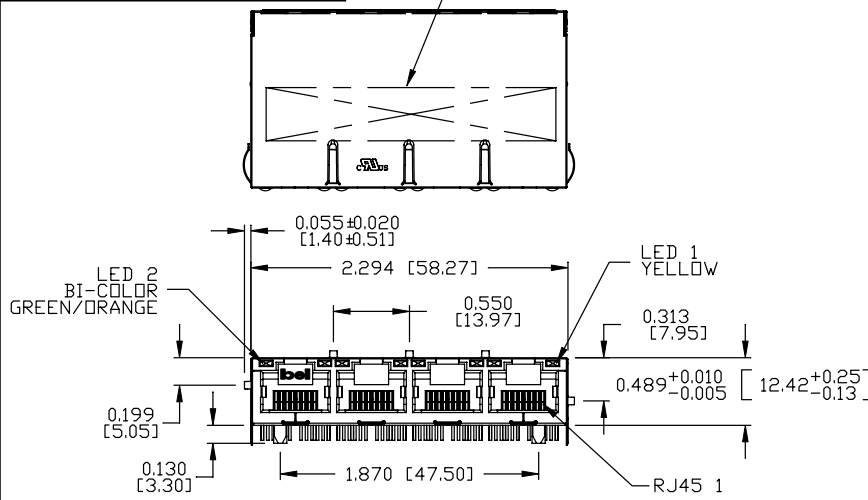
**LED2**  
 VF (FORWARD VOLTAGE) IF=20mA GREEN 2.2V TYP.  
 ORANGE 2.0V TYP.  
 λD (DOMINANT WAVELENGTH) IF=20mA GREEN 565nm TYP.  
 ORANGE 610nm TYP.



<b>ORIGINATED BY</b> CHOW WANGCHUNG	<b>DATE</b> 02-17-11	<b>TITLE</b> 1X4 gigabit MagJack® (12 cores, Tab Up)	<b>PART NO. / DRAWING NO.</b> L8261X4T23-F	<b>STANDARD DIM. TOL. IN INCH</b> .X .XY .XXX	<b>[ ] METRIC DIM. AS REFERENCE</b> UNIT : INCH [mm] REV. : D SCALE : N/A SIZE : A4 PAGE : 2	
<b>DRAWN BY</b> LEE WEIDE	<b>DATE</b> 02-17-11	<b>FILE NAME</b> L8261X4T23-F_D.DWG				



THE INFORMATION CONTAINED HEREIN IS CONSIDERED "PROPRIETARY" TO BEL FUSE INC. AND SHALL NOT BE COPIED, REPRODUCED OR DISCLOSED WITHOUT THE WRITTEN APPROVAL OF BEL FUSE INC.



**NOTES:**

- PLASTIC HOUSING: THERMOPLASTIC PBT  
FLAMMABILITY RATING UL 94V-0
- CONTACTS PLATING: 50 MICRO-INCH HARD GOLD PLATING
- PINS: TIN-COATED COPPER WIRE, DIA 0.018 INCH.
- METAL SHIELD: NICKEL PLATED ON COPPER ALLOY.  
(ALL GROUND LEADS ARE SOLDER DIPPING)

- 1. MARK PART WITH MFG LOGO, MFG NAME, PART NUMBER, DATE CODE AND PATENTED.  
JACK CAVITY CONFORMS TO FCC RULES AND REGULATIONS.  
cULus UL RECOGNIZED - FILE #E196366 AND E169987.  
RoHS COMPLIANCE, PER EU DIRECTIVE 2002/95/EC.

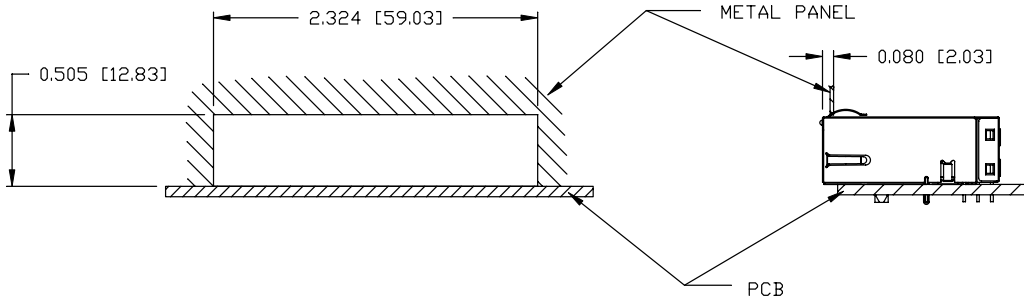
- 2. THE PRODUCT IS PATENT PRODUCT. THE PATENT NUMBER IS U.S. PAT. 5,736,910.

<b>ORIGINATED BY</b> ANTON LIAO	<b>DATE</b> 02-17-11	<b>TITLE</b> 1X4 gigabit MagJack® (12 cores, Tab Up) L826-1X4T-23-F	<b>PART NO. / DRAWING NO.</b> L8261X4T23-F	<b>STANDARD DIM. TOL. IN INCH</b>	<b>[ ] METRIC DIM. AS REFERENCE</b>		
<b>DRAWN BY</b> SHAWN FENG	<b>DATE</b> 02-17-11		<b>FILE NAME</b> L8261X4T23-F_D.DWG	.X .XY .XXX	UNIT : INCH [mm] SCALE : N/A	REV. : D SIZE : A4 PAGE : 3	





SUGGESTED PANEL OPENING



**NOTE:**

THE DISTANCE OF PANEL INSIDE SURFACE RELATIVE TO FRONT SURFACE OF PART IS ONLY A SUGGESTION. IN CASE THIS DISTANCE IS DIFFERENT, THE REQUIRED PANEL OPENING DIMENSIONS CHANGE ACCORDINGLY.

**PACKING INFORMATION**

PACKING TRAY: 0200-9999-D3 (TOP)

0200-9999-B5 (BOTTOM)

PACKING QUANTITY: 24 PCS FINISHED GOODS PER TRAY

10 TRAYS (240PCS FINISHED GOODS) PER CARTON BOX

REMARK : CARDBOARDS ARE PLACED BETWEEN LAYERS OF PACKING TRAY INSIDE CARTON BOX.

(INCLUDE THE UPPERMOST AND LOWERMOST TRAY)

<b>ORIGINATED BY</b> ANTON LIAO	<b>DATE</b> 02-17-11	<b>TITLE</b> 1X4 gigabit MagJack® (12 cores, Tab Up) L826-1X4T-23-F	<b>PART NO. / DRAWING NO.</b> L8261X4T23-F	<b>STANDARD DIM.</b> TOL. IN INCH	<b>[ ] METRIC DIM. AS REFERENCE</b>		 <small>COMPONENTS CONNECTED PLANNED</small>	
<b>DRAWN BY</b> SHAWN FENG	<b>DATE</b> 02-17-11		<b>FILE NAME</b> L8261X4T23-F_D.DWG	.X .XX .XXX	UNIT : INCH [mm]	REV. : D		SCALE : N/A
			±0.004	⊕				PAGE : 5

DC002(2)1051509

This document is electronically generated. This is a controlled copy if used internally