

Excellent Integrated System Limited

Stocking Distributor

Click to view price, real time Inventory, Delivery & Lifecycle Information:

[Bel Fuse Inc.](#)
[L829-1X1T-91](#)

For any questions, you can email us directly:
sales@integrated-circuit.com



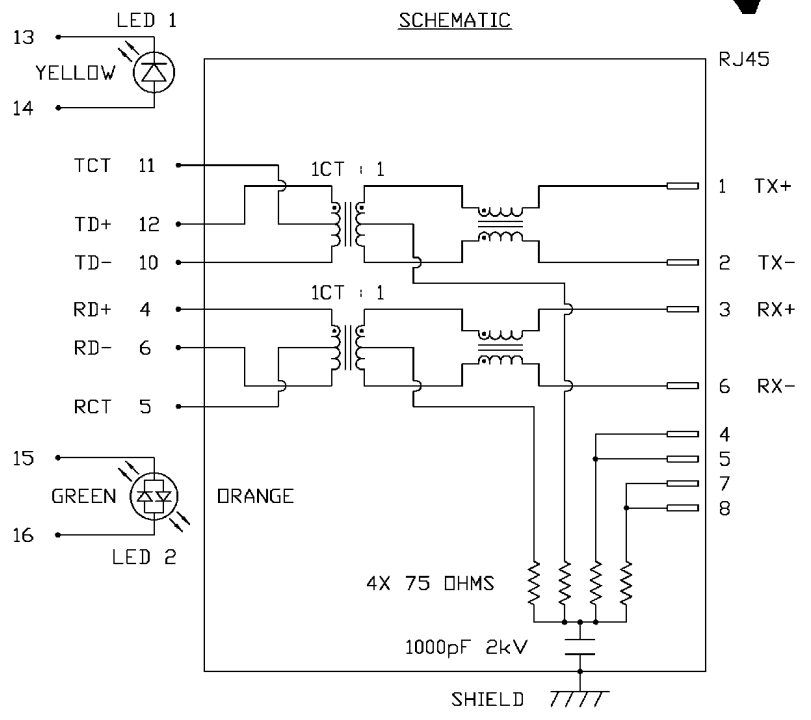
THE INFORMATION CONTAINED HEREIN IS CONSIDERED "PROPRIETARY" TO BEL FUSE INC. AND SHALL NOT BE COPIED, REPRODUCED OR DISCLOSED WITHOUT THE WRITTEN APPROVAL OF BEL FUSE INC.

LED1 POLARITY			LED2 POLARITY		
PIN 13	PIN 14	COLOR	PIN 15	PIN 16	COLOR
-	+	YELLOW	-	+	GREEN
			+	-	ORANGE

ELECTRICAL CHARACTERISTICS @ 25°C

TRANSFORMER RATIO	
TX	1CT : 1
RX	1CT : 1
DC CL @ 100kHz/100mVRMS	
8mA DC BIAS	(0-70°C) 350µH MIN.
INS. LOSS	
0.1MHz TO 1MHz	-1.1 dB MAX
1MHz TO 65MHz	-0.5 dB MAX
65MHz TO 100MHz	-0.8 dB MAX
100MHz TO 125MHz	-1.2 dB MAX
RET. LOSS (MIN) @ 100 OHMS +/- 15%	
0.5MHz-40MHz	-18 dB
40MHz-100MHz	-12+20LOG(f/80MHz) dB
CM TO CM REJ	
100kHz - 100MHz	-30 dB MIN
CM TO DM REJ	
100kHz - 100MHz	-35 dB MIN
HIPOT (Isolation Voltage): 1500 Vrms or 2250 VDC	
100% OF PRODUCT TESTED IN PRODUCTION	

LED 1	
VF (FORWARD VOLTAGE)	IF=20mA YELLOW 2.1V TYP.
λD (DOMINANT WAVELENGTH)	IF=20mA YELLOW 590nm TYP.
LED 2	
VF (FORWARD VOLTAGE)	IF=20mA GREEN 2.2V TYP. ORANGE 2.0V TYP.
λD (DOMINANT WAVELENGTH)	IF=20mA GREEN 565nm TYP. ORANGE 610nm TYP.



ORIGINATED BY	DATE	TITLE	PART NO. / DRAWING NO.	STANDARD DIM. TOL. IN INCH	[] METRIC DIM. AS REFERENCE
CHUNG	05-18-06	10/100 MagJack® (Ultra Low Profile)	L829-1X1T-91	.X .XX .XXX	UNIT : INCH [mm] REV. : C SCALE : N/A SIZE : A4 PAGE : 2
DRAWN BY	DATE	FILE NAME	L8291X1T91C.DWG		
DE	05-18-06				

DC002(2)032305

This document is electronically generated. This is a controlled copy if used internally

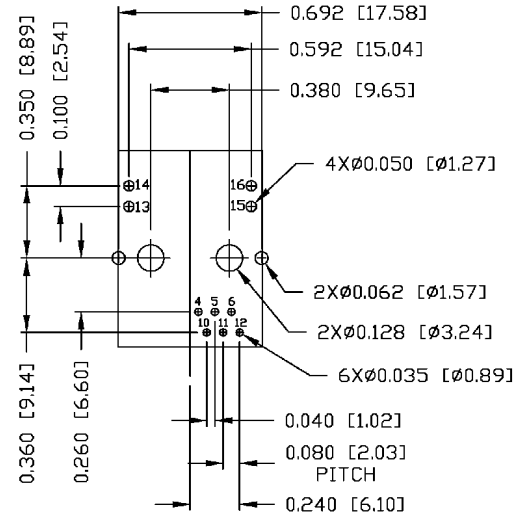
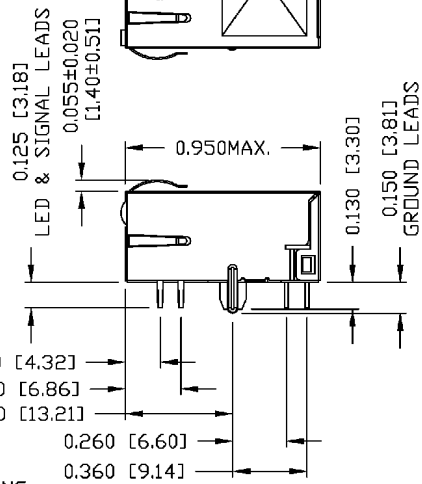
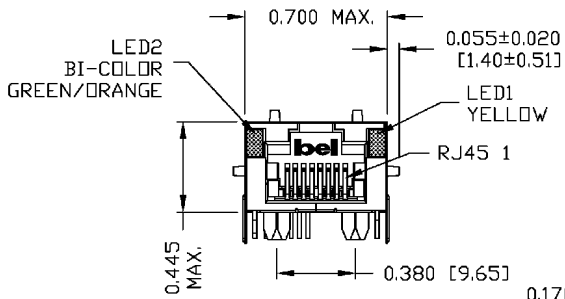




THE INFORMATION CONTAINED HEREIN IS CONSIDERED "PROPRIETARY" TO BEL FUSE INC. AND SHALL NOT BE COPIED, REPRODUCED OR DISCLOSED WITHOUT THE WRITTEN APPROVAL OF BEL FUSE INC.

MECHANICAL SPECIFICATION

RECOMMENDED PCB FOOTPRINT
 COMPONENT SIDE VIEW



NOTES:

- 1. PLASTIC HOUSING: THERMOPLASTIC PA 4/6, FLAMMABILITY RATING UL 94V-0
- 2. CONTACTS: 30 MICRO-INCH HARD GOLD PLATING
- 3. OUTPUT PINS: TIN-COATED COPPER WIRE, DIA 0.018 INCH.
- 4. METAL SHIELD: NICKEL PLATED ON COPPER ALLOY. (ALL GROUND LEADS ARE SOLDER DIPPED)
- 5. JACK CAVITY CONFORMS TO FCC RULES AND REGULATIONS.

1. MARK PART WITH MFG. LOGO, MFG. NAME, PART NUMBER (L829-1X1T-91), AND DATE CODE.

- 1. UL RECOGNIZED - FILE #E196366 AND E169987.
- 2. RoHS COMPLIANCE, PER EU DIRECTIVE 2002/95/EC.

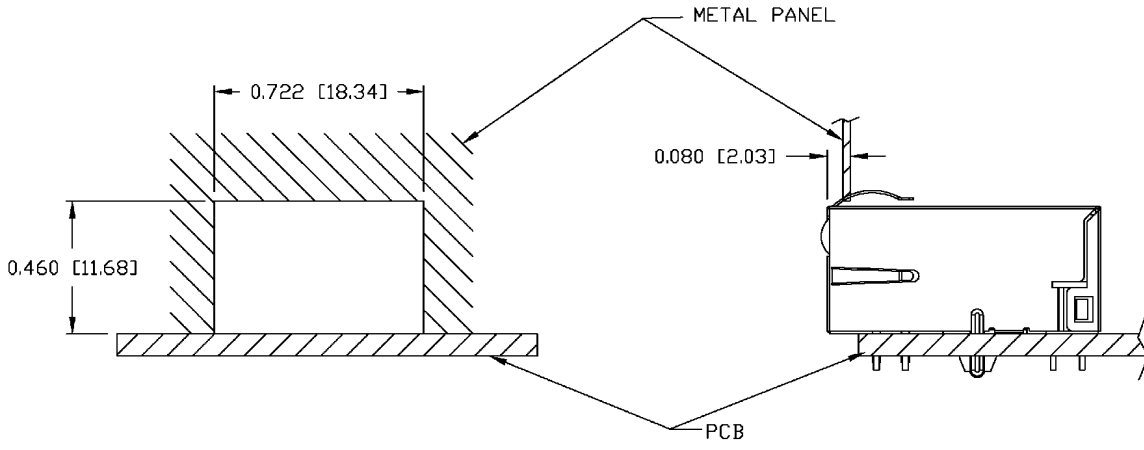
ORIGINATED BY QIN/BILL	DATE 05-18-06	TITLE 10/100 MagJack® (Ultra Low Profile)	PART NO. / DRAWING NO. L829-1X1T-91	STANDARD DIM. TOL. IN INCH	[] METRIC DIM. AS REFERENCE	
			FILE NAME L8291X1T91C.DWG	.X .XX .XXX	UNIT : INCH [mm] SCALE : N/A	REV. : C SIZE : A4 PAGE : 3





THE INFORMATION CONTAINED HEREIN IS CONSIDERED "PROPRIETARY" TO BEL FUSE INC. AND SHALL NOT BE COPIED, REPRODUCED OR DISCLOSED WITHOUT THE WRITTEN APPROVAL OF BEL FUSE INC.

SUGGESTED PANEL OPENING



NOTE:
 THE DISTANCE OF PANEL INSIDE SURFACE RELATIVE TO FRONT SURFACE OF PART IS ONLY A SUGGESTION. IN CASE THIS DISTANCE IS DIFFERENT, THE REQUIRED PANEL OPENING DIMENSIONS CHANGE ACCORDINGLY.

TRAY PACKING INFORMATION

PACKING TRAY : 0200-9999-E4 (TOP)
 0200-9999-E5 (BOTTOM)

PACKING QUANTITY : 60 PCS FINISHED GOODS PER TRAY
 11 TRAYS (660 PCS FINISHED GOODS) PER CARTON BOX

NOTE : CARDBOARDS ARE PLACED BETWEEN LAYERS OF PACKING TRAY INSIDE CARTON BOX
 (INCLUDE THE UPPERMOST AND LOWERMOST TRAY)

ORIGINATED BY QIN/BILL	DATE 05-18-06	TITLE 10/100 MagJack® (Ultra Low Profile)	PART NO. / DRAWING NO. L829-1X1T-91	STANDARD DIM. TOL. IN INCH	[] METRIC DIM. AS REFERENCE		
DRAWN BY LING	DATE 05-18-06		FILE NAME L8291X1T91C.DWG	.X .XX .XXX	±0.004	UNIT : INCH [mm] SCALE : N/A	

DC002(2)032305

This document is electronically generated. This is a controlled copy if used internally