

Excellent Integrated System Limited

Stocking Distributor

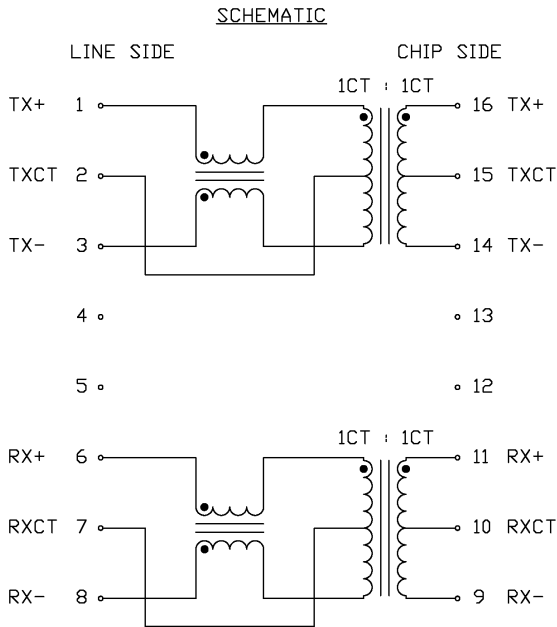
Click to view price, real time Inventory, Delivery & Lifecycle Information:

[Bel Fuse Inc.](#)
[S558-5999-J1-F](#)

For any questions, you can email us directly:
sales@integrated-circuit.com

THE INFORMATION CONTAINED HEREIN IS CONSIDERED "PROPRIETARY" TO BEL FUSE INC. AND SHALL NOT BE COPIED, REPRODUCED OR DISCLOSED WITHOUT THE WRITTEN APPROVAL OF BEL FUSE INC.

ELECTRICAL CHARACTERISTICS @25°C



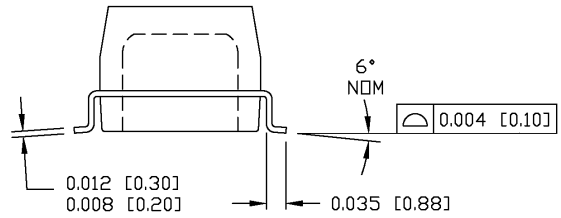
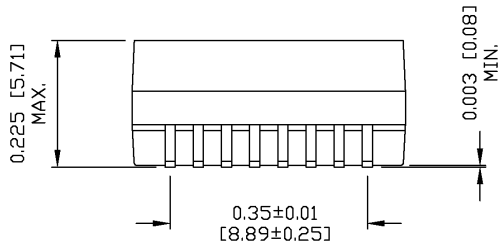
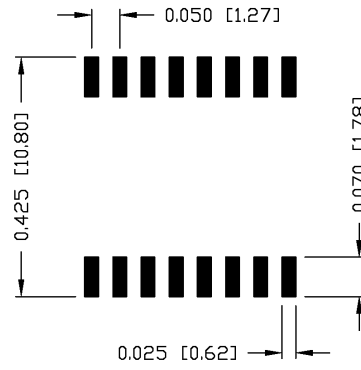
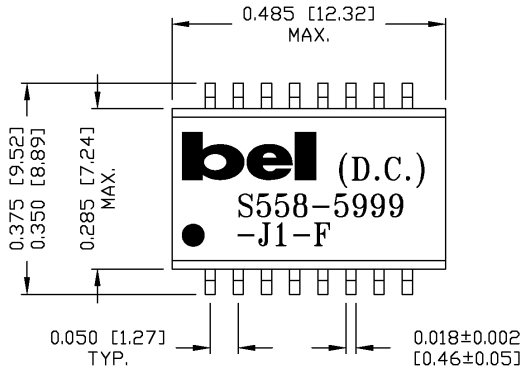
TURNS RATIO PIN 1-2-3 : 16-15-14 PIN 6-7-8 : 11-10-9	1CT : 1CT 1CT : 1CT
OCL PIN 16-14 11-9	350μH MIN. @ 100kHz, 100mVrms W/8mA DC BIAS
LEAKAGE INDUCTANCE, L_e PIN 16-14 (SHORT 1-3) PIN 11-9 (SHORT 6-8)	300nH MAX. @ 1MHz, 20mVrms
INTERWINDING CAPACITANCE, C_w/w PIN 1-3 TO 16-14 PIN 6-8 TO 11-9	30pF MAX. @ 1MHz, 20mVrms
WINDING RESISTANCE, DCR PIN 1-3 ; 6-8 PIN 16-14 ; 11-9	2.0 Ω MAX. 1.0 Ω MAX.
INSERTION LOSS @ 100kHz-100MHz	1.0dB MAX.
RETURN LOSS @ 1MHz-30MHz @ 30-60MHz @ 60-80MHz	18dB MIN. 18-20 LOG (F/30MHz) MIN. 10dB MIN.
CROSSTALK @ 100kHz-100MHz	35dB MIN.
CM TO CM MODE REJ. @ 100kHz-100MHz	30dB MIN.
CM TO DM MODE REJ. @ 100kHz-100MHz	40dB MIN.
HIPOT	1500Vrms

ORIGINATED BY	DATE	TITLE	PART NO. / DRAWING NO.	STANDARD DIM. TOL. IN INCH	[] METRIC DIM. AS REFERENCE	 COMPONENTS ON A CONNECTED PLANET
HQ	05-23-06	10/100BT MAGNETICS MODULE	X5585999J1-F	.X	UNIT : INCH [mm] REV. : A	
DRAWN BY	DATE	S558-5999-J1-F	FILE NAME	.XX	SCALE : N/A SIZE : A4	
DQ Chen	05-23-06		X5585999J1FA.DWG	.XXX	PAGE : 2	

THE INFORMATION CONTAINED HEREIN IS CONSIDERED "PROPRIETARY" TO BEL FUSE INC. AND SHALL NOT BE COPIED, REPRODUCED OR DISCLOSED WITHOUT THE WRITTEN APPROVAL OF BEL FUSE INC.



SUGGESTED PCB PAD LAYOUT



NOTES:

- STANDARD MARKING REFER TO DDC. HAND-WORK-04.
- PACKAGE CODE: "QBS001".

ORIGINATED BY	DATE	TITLE	PART NO. / DRAWING NO.	STANDARD DIM. TOL. IN INCH	[] METRIC DIM. AS REFERENCE	 COMPONENTS CAN CONNECT PLANET	
HO	05-23-06	MECHANICAL DRAWING	X5585999J1-F	.X	UNIT : INCH [mm]		REV. : A
DRAWN BY	DATE		FILE NAME	.XX ±0.01	SCALE : N/A		SIZE : A4
DQ Chen	05-23-06	S558-5999-J1-F	X5585999J1FA.DWG	.XXX ±0.005		PAGE : 3	

DC002(2)032305

This document is electronically generated. This is a controlled copy if used internally