

Excellent Integrated System Limited

Stocking Distributor

Click to view price, real time Inventory, Delivery & Lifecycle Information:

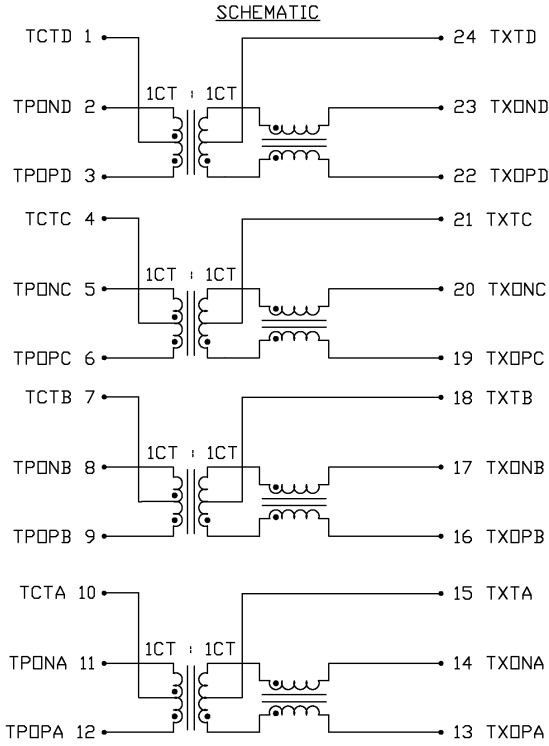
[Bel Fuse Inc.](#)
[S558-5999-M8-F](#)

For any questions, you can email us directly:
sales@integrated-circuit.com

THE INFORMATION CONTAINED HEREIN IS CONSIDERED 'PROPRIETARY' TO BEL FUSE INC. AND SHALL NOT BE COPIED, REPRODUCED OR DISCLOSED WITHOUT THE WRITTEN APPROVAL OF BEL FUSE INC.



ELECTRICAL CHARACTERISTICS @ 25°C



TURNS RATIO PIN(3-1-2) : (22-24-23) 1CT : 1CT PIN(6-4-5) : (19-21-20) 1CT : 1CT PIN(9-7-8) : (16-18-17) 1CT : 1CT PIN(12-10-11) : (13-15-14) 1CT : 1CT	
OCL 350μH MIN. @ 100kHz, 100mV WITH 8mA DC BIAS	
INSERTION LOSS 1.1dB MAX. @ 0.1 TO 1MHz 0.5dB MAX. @ 1 TO 65MHz 1.0dB MAX. @ 80MHz 1.2dB MAX. @ 125MHz	
RETURN LOSS UNDER 100 OHMS±15% ENVIRONMENT 18dB MIN. @ 0.5 TO 40 MHz 12-20LOG (f/80MHz) MIN. @ 40 TO 100 MHz	
COMMON TO COMMON REJECTION 30dB MIN. @ 0.1 TO 100 MHz	
CROSSTALK 33-20LOG (f/100MHz) dB MIN. @ 1 TO 100MHz	
HIPOT PER HAND-WORK-03	

ORIGINATED BY	DATE	TITLE	PART NO. / DRAWING NO.	STANDARD DIM. TOL. IN INCH	[] METRIC DIM. AS REFERENCE	 COMPONENTS OF A CONNECTED PLANET
HO	12-01-05	ELECTRICAL SPECIFICATION	X5585999M8-F	.X	UNIT : INCH [mm] REV. : A	
DRAWN BY	DATE	S558-5999-M8-F	FILE NAME	.XX	SCALE : N/A SIZE : A4	
DQ Chen	12-01-05		X5585999M8FA.DWG	.XXX	PAGE : 2	

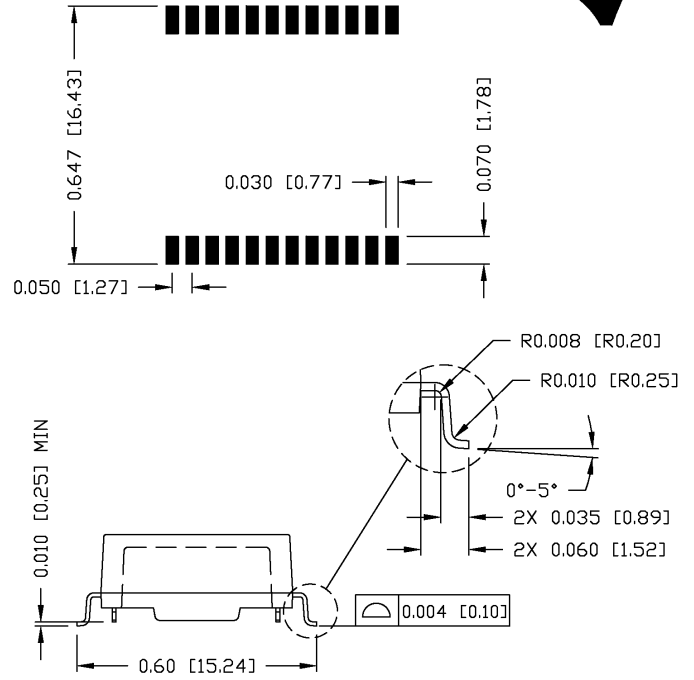
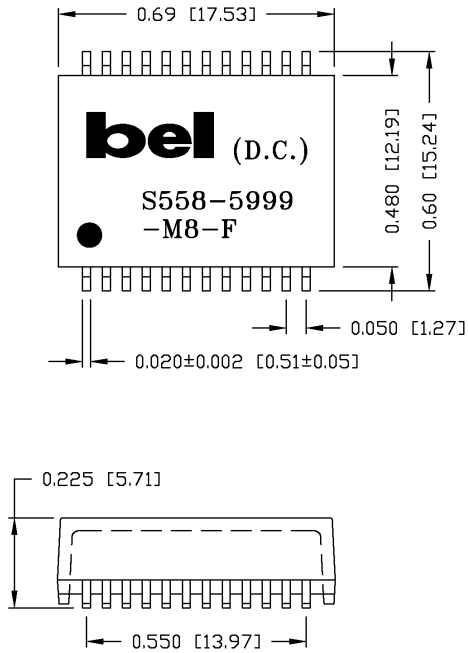
DC002(2)032305

This document is electronically generated. This is a controlled copy if used internally

THE INFORMATION CONTAINED HEREIN IS CONSIDERED "PROPRIETARY" TO BEL FUSE INC. AND SHALL NOT BE COPIED, REPRODUCED OR DISCLOSED WITHOUT THE WRITTEN APPROVAL OF BEL FUSE INC.



SUGGESTED PCB PAD LAYOUT



NOTES:

- STANDARD MARKING REFER TO DOC. HAND-WORK-04.
- PACKAGE CODE: "RQS001".

ORIGINATED BY	DATE	TITLE	PART NO. / DRAWING NO.	STANDARD DIM. TOL. IN INCH	[] METRIC DIM. AS REFERENCE	 COMPONENTS OF A CONNECTED PLANET	
Lawrence	12-01-05	MECHANICAL DRAWING S558-5999-M8-F	X5585999M8-F	.X	UNIT : INCH [mm]		REV. : A
DRAWN BY	DATE		FILE NAME	.XX	±0.01		SCALE : N/A
DQ Chen	12-01-05	X5585999M8FA.DWG	.XXX	±0.005			PAGE : 3

DC002(2)032305

This document is electronically generated. This is a controlled copy if used internally