

## Excellent Integrated System Limited

Stocking Distributor

Click to view price, real time Inventory, Delivery & Lifecycle Information:

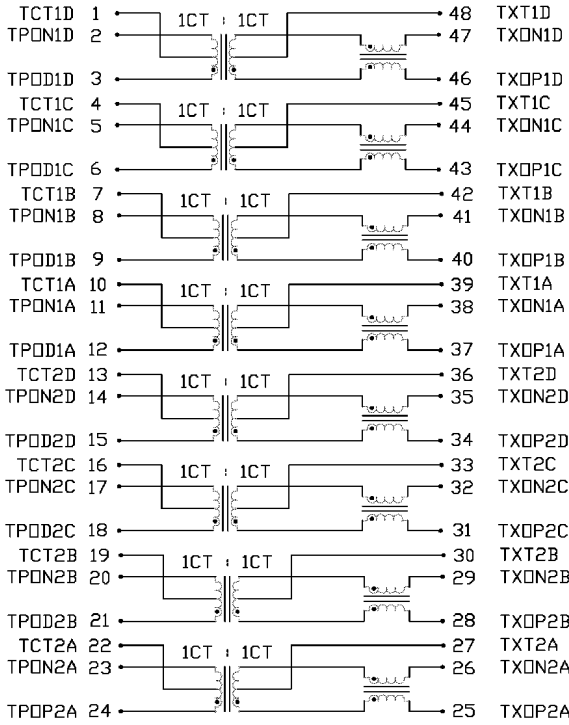
[Bel Fuse Inc.](#)  
[S558-5999-Q2-F](#)

For any questions, you can email us directly:  
[sales@integrated-circuit.com](mailto:sales@integrated-circuit.com)

THE INFORMATION CONTAINED HEREIN IS CONSIDERED 'PROPRIETARY' TO BEL FUSE INC. AND SHALL NOT BE COPIED, REPRODUCED OR DISCLOSED WITHOUT THE WRITTEN APPROVAL OF BEL FUSE INC.



**SCHEMATIC**



**ELECTRICAL CHARACTERISTICS @ 25°C**

<p>TURN RATIO</p> <p>OCL</p> <p>INSERTION LOSS</p> <p>RETURN LOSS MEASURED UNDER A 100 Ω ENVIRONMENT</p> <p>COMMON TO COMMON MODE REJECTION</p> <p>CROSSTALK</p> <p>HIPOT</p>	<p>1CT : 1CT ±2%</p> <p>350μH MIN. @100kHz, 100mV, WITH 8mA D.C. BIAS PIN (46-47), (43-44), (40-41), (37-38) PIN (34-35), (31-32), (28-29), (25-26)</p> <table border="1"> <thead> <tr> <th>FREQ.</th> <th>1MHz</th> <th>65MHz</th> <th>100MHz</th> <th>125MHz</th> </tr> </thead> <tbody> <tr> <td>MAX.</td> <td>1.1dB</td> <td>0.5dB</td> <td>0.8dB</td> <td>1.2dB</td> </tr> </tbody> </table> <p>18dB MIN. @ 0.5 TO 40 MHz 12-20LOG(f/80MHz)dB MIN. @ 40 TO 100MHz</p> <p>30dB MIN. @ 0.1 TO 100MHz</p> <p>33-20LOG(f/100MHz)dB MIN. @ 1 TO 100MHz</p> <p>PER HAND-WORK-03</p>	FREQ.	1MHz	65MHz	100MHz	125MHz	MAX.	1.1dB	0.5dB	0.8dB	1.2dB
FREQ.	1MHz	65MHz	100MHz	125MHz							
MAX.	1.1dB	0.5dB	0.8dB	1.2dB							

ORIGINATED BY	DATE	TITLE	PART NO. / DRAWING NO.	STANDARD DIM. TOL. IN INCH	[ ] METRIC DIM. AS REFERENCE	<p>COMPONENTS OF A CONNECTED PLANT</p>	
HO	04-26-06	ELECTRICAL SPECIFICATION S558-5999-Q2-F	X5585999Q2-F	.X	UNIT : INCH [mm]		REV. : A
DRAWN BY	DATE		FILE NAME	.XX	SCALE : N/A		SIZE : A4
DQ Chen	04-26-06		X5585999Q2FA.DWG	.XXX			PAGE : 2

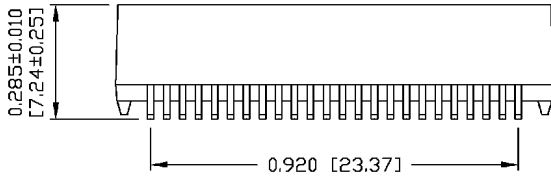
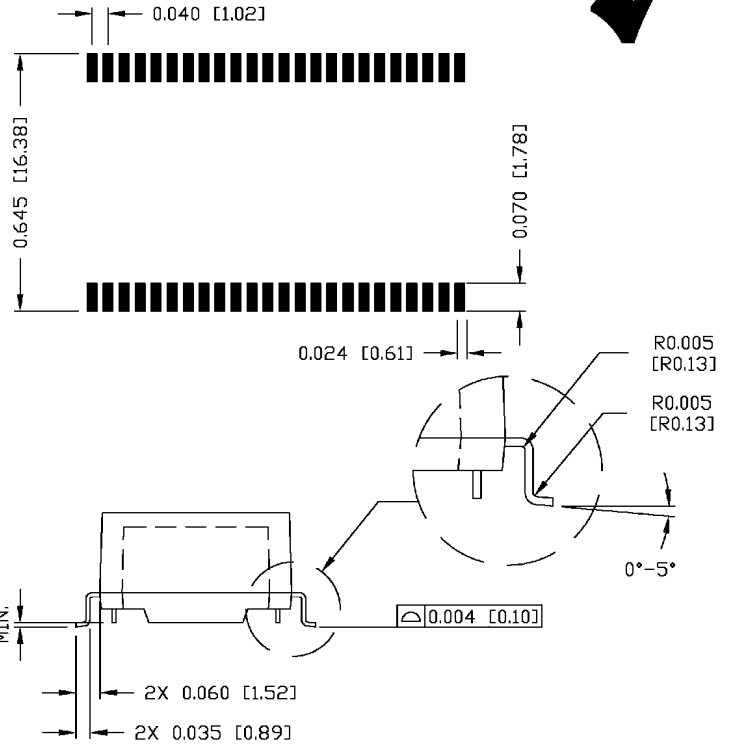
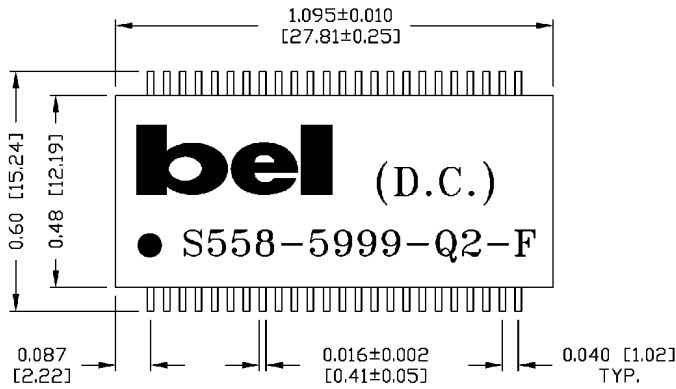
DC002(2)032305

This document is electronically generated. This is a controlled copy if used internally

THE INFORMATION CONTAINED HEREIN IS CONSIDERED 'PROPRIETARY' TO BEL FUSE INC. AND SHALL NOT BE COPIED, REPRODUCED OR DISCLOSED WITHOUT THE WRITTEN APPROVAL OF BEL FUSE INC.



SUGGESTED PCB PAD LAYOUT



NOTES:

- STANDARD MARKING REFER TO DOC. HAND-WORK-04.
- PACKAGE CODE: 'QVS001'.

ORIGINATED BY	DATE	TITLE	PART NO. / DRAWING NO.	STANDARD DIM. TOL. IN INCH	[ ] METRIC DIM. AS REFERENCE	 COMPONENTS OF A CONNECTED PLANET	
HO	04-26-06	MECHANICAL DRAWING S558-5999-Q2-F	X5585999Q2-F	.X	UNIT : INCH [mm]		REV. : A
DRAWN BY	DATE		FILE NAME	.XX	SCALE : N/A		SIZE : A4
DQ Chen	04-26-06	X5585999Q2FA.DWG	.XXX		PAGE : 3		

DC002(2)032305

This document is electronically generated. This is a controlled copy if used internally