

## Excellent Integrated System Limited

Stocking Distributor

Click to view price, real time Inventory, Delivery & Lifecycle Information:

[Bel Fuse Inc.](#)  
[0826-1D4T-23-F](#)

For any questions, you can email us directly:  
[sales@integrated-circuit.com](mailto:sales@integrated-circuit.com)

THE INFORMATION CONTAINED HEREIN IS CONSIDERED "PROPRIETARY" TO BEL FUSE INC. AND SHALL NOT BE COPIED, REPRODUCED OR DISCLOSED WITHOUT THE WRITTEN APPROVAL OF BEL FUSE INC.

LED1 POLARITY			LED2 POLARITY		
PIN 13	PIN 14	COLOR	PIN 15	PIN 16	COLOR
-	+	GREEN	-	+	YELLOW

**ELECTRICAL CHARACTERISTICS @ 25°C**

**URNS RATIO**

TP1	1CT : 1CT ±2%
TP2	1CT : 1CT ±2%
TP3	1CT : 1CT ±2%
TP4	1CT : 1CT ±2%

**QCL @ 100kHz/100mVRMS**

8mA DC BIAS 350µH MIN.

**INS. LOSS**

0.1MHz TO 1MHz	-1.1 dB MAX
1MHz TO 65MHz	-0.5 dB MAX
65MHz TO 100MHz	-0.8 dB MAX
100MHz TO 125MHz	-1.2 dB MAX

**RET. LOSS (MIN)**

0.5MHz-40MHz	-18 dB
40MHz-100MHz	-12+20LOG(f/80MHz) dB

**CM TO CM REJ**

100kHz - 100MHz -30 dB MIN

**CM TO DM REJ**

100kHz - 100MHz -35 dB MIN

HIPDT (Isolation Voltage): 1500 Vrms

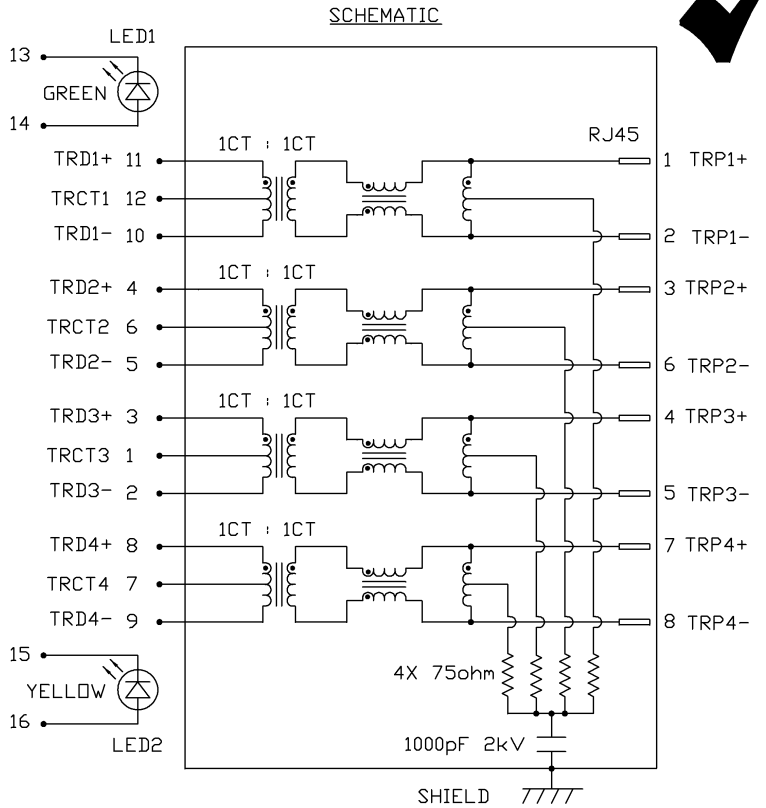
100% OF PRODUCT TESTED TO COMPLY WITH IEEE 802.3 ISOLATION REQUIREMENTS

**LED 1**

V <sub>F</sub> (FORWARD VOLTAGE)	IF=20mA	GREEN	2.2V TYP.
λ <sub>D</sub> (DOMINANT WAVELENGTH)	IF=20mA	GREEN	565nm TYP.

**LED 2**

V <sub>F</sub> (FORWARD VOLTAGE)	IF=20mA	YELLOW	2.1V TYP.
λ <sub>D</sub> (DOMINANT WAVELENGTH)	IF=20mA	YELLOW	590nm TYP.



ORIGINATED BY	DATE	TITLE
CHOW WANCHUNG	08-05-08	1X4 gigabit MagJack® (TAB-UP WITH LEDS)
DRAWN BY	DATE	
LEE WEIDE	08-05-08	0826-1D4T-23-F

PART NO. / DRAWING NO.	STANDARD DIM. TOL. IN INCH	[ ] METRIC DIM. AS REFERENCE
08261D4T23-F	.X .XX .XXX	UNIT : INCH [mm] SCALE : N/A
FILE NAME	±0.004	REV. : B SIZE : A4 PAGE : 2
08261D4T23-F_B.DWG		

STANDARD DIM. TOL. IN INCH	[ ] METRIC DIM. AS REFERENCE
.X .XX .XXX	UNIT : INCH [mm] SCALE : N/A
±0.004	REV. : B SIZE : A4 PAGE : 2

STANDARD DIM. TOL. IN INCH	[ ] METRIC DIM. AS REFERENCE
.X .XX .XXX	UNIT : INCH [mm] SCALE : N/A
±0.004	REV. : B SIZE : A4 PAGE : 2





THE INFORMATION CONTAINED HEREIN IS CONSIDERED "PROPRIETARY" TO BEL FUSE INC. AND SHALL NOT BE COPIED, REPRODUCED OR DISCLOSED WITHOUT THE WRITTEN APPROVAL OF BEL FUSE INC.

**NOTES:**

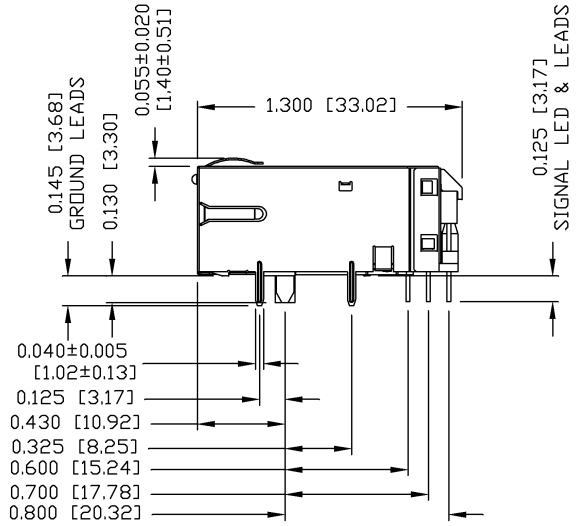
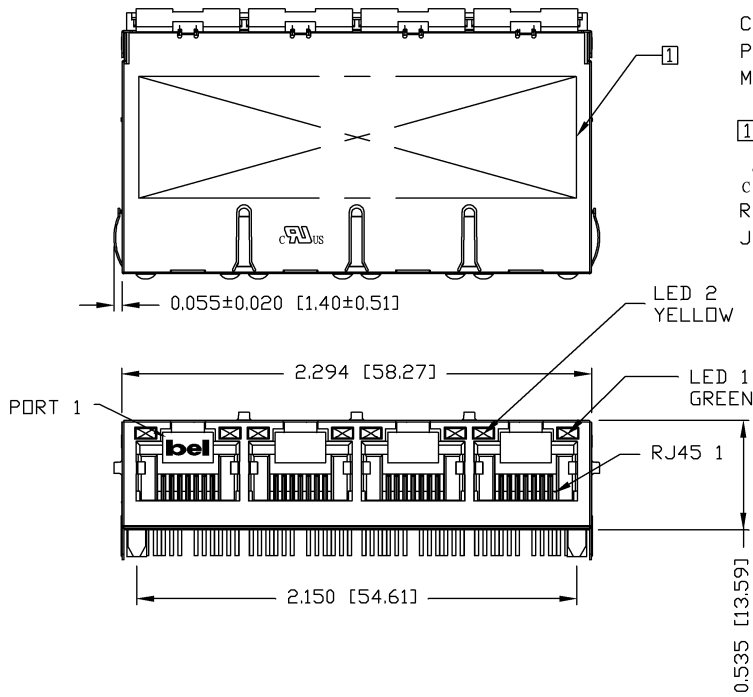
- PLASTIC HOUSING: THERMOPLASTIC PBT
- FLAMMABILITY RATING UL 94V-0
- CONTACTS PLATING: 50 MICRO-INCH HARD GOLD PLATING
- PINS: TIN-COATED COPPER WIRE, DIA 0.018 INCH.
- METAL SHIELD: NICKEL PLATED ON COPPER ALLOY.
- (ALL GROUND LEADS ARE SOLDER DIPPED)

1. MARK PART WITH MFG. LOGO; MFG. NAME; PART NUMBER; DATE CODE.

UL US UL RECOGNIZED - FILE #E196366 AND E169987.

RoHS COMPLIANT, PER EU DIRECTIVE 2002/95/EC

JACK CAVITY CONFORMS TO FCC RULES AND REGULATIONS.

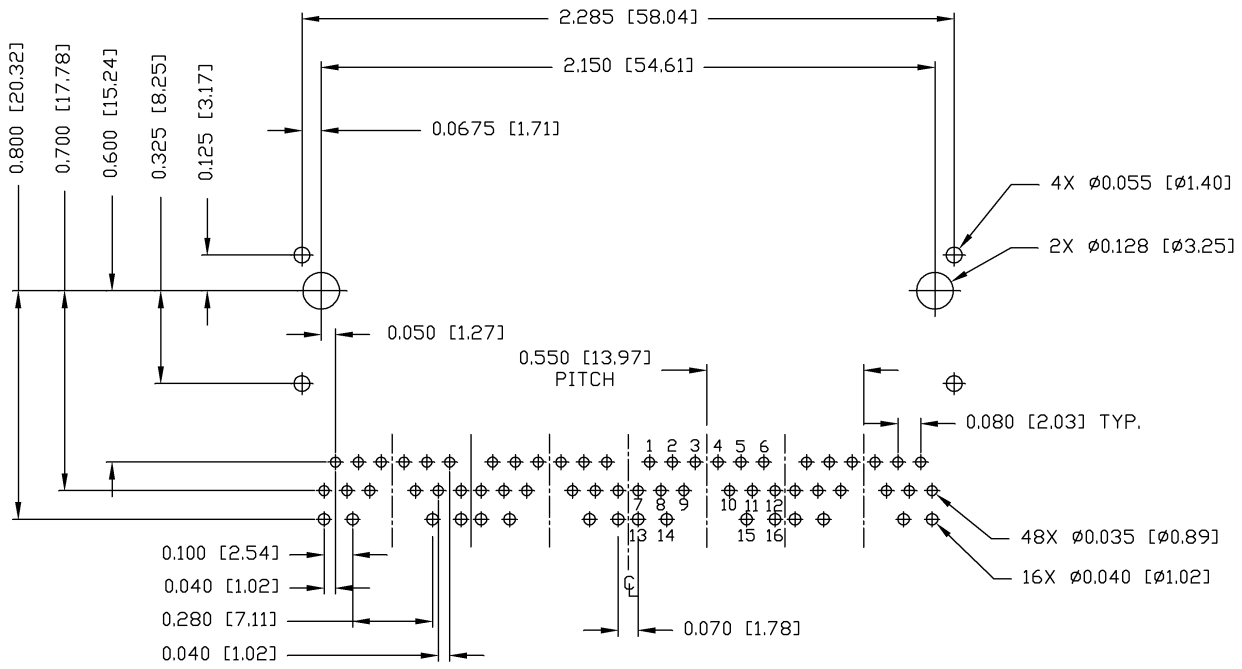


ORIGINATED BY ZX HUANG	DATE 08-05-08	TITLE 1X4 gigabit MagJack® (TAB-UP WITH LEDS) 0826-1D4T-23-F	PART NO. / DRAWING NO. 08261D4T23-F	STANDARD DIM. TOL. IN INCH .X .XX .XXX ±0.010	[ ] METRIC DIM. AS REFERENCE UNIT : INCH [mm] SCALE : N/A	REV. : B SIZE : A4 PAGE : 3
DRAWN BY BL CHEN	DATE 08-05-08	FILE NAME 08261D4T23-F_B.DWG				



THE INFORMATION CONTAINED HEREIN IS CONSIDERED "PROPRIETARY" TO BEL FUSE INC. AND SHALL NOT BE COPIED, REPRODUCED OR DISCLOSED WITHOUT THE WRITTEN APPROVAL OF BEL FUSE INC.

RoHS  
2002/95/EC



RECOMMENDED PCB FOOTPRINT  
COMPONENT SIDE VIEW

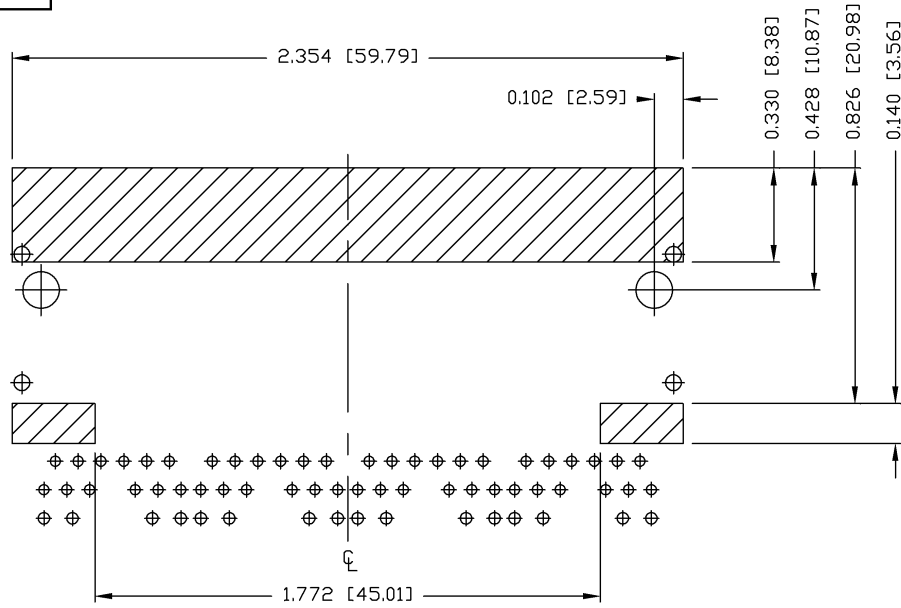
ORIGINATED BY ZX HUANG	DATE 08-05-08	TITLE 1X4 gigabit MagJack® (12 cores, Tab Up) 0826-1D4T-23-F	PART NO. / DRAWING NO. 08261D4T23-F	STANDARD DIM. TOL. IN INCH	[ ] METRIC DIM. AS REFERENCE	bel COMPONENTS ON A CONNECTED PLANET
			FILE NAME 08261D4T23-F_B.DWG	.X .XX .XXX	UNIT : INCH [mm] SCALE : N/A	

DC002(2)032305

This document is electronically generated. This is a controlled copy if used internally



THE INFORMATION CONTAINED HEREIN IS CONSIDERED "PROPRIETARY" TO BEL FUSE INC. AND SHALL NOT BE COPIED, REPRODUCED OR DISCLOSED WITHOUT THE WRITTEN APPROVAL OF BEL FUSE INC.



**NOTES:**

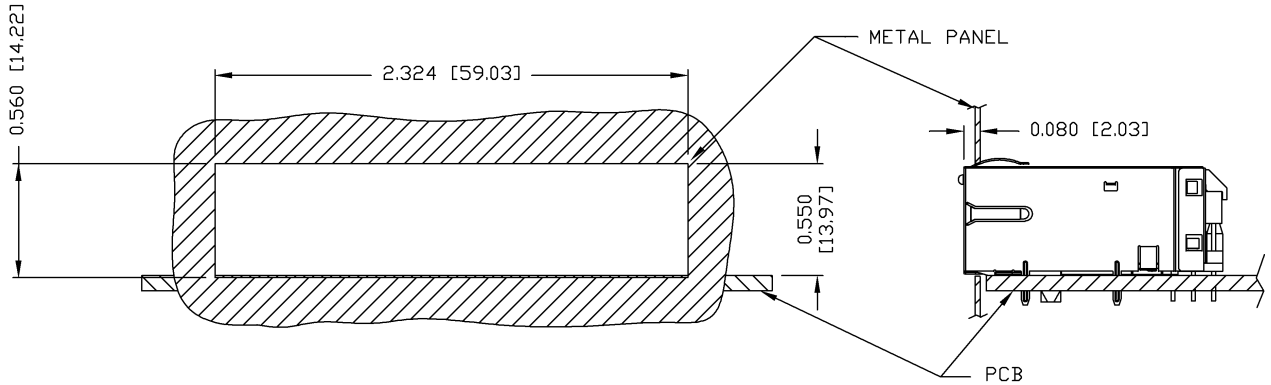
THE SHADED AREA ON THE CUSTOMER BOARD ARE RECOMMENDED TO BE CLEAR OFF ANY VIA HOLE OR COMPONENT PAD.

ORIGINATED BY ZX HUANG	DATE 08-05-08	TITLE 1X4 gigabit MagJack® (12 cores,Tab Up)	PART NO. / DRAWING NO. 08261D4T23-F	STANDARD DIM. TOL. IN INCH .X .XX .XXX	[ ] METRIC DIM. AS REFERENCE UNIT : INCH [mm] SCALE : N/A	REV. : B SIZE : A4 PAGE : 5	 COMPONENTS ON A CONNECTED PLANET
DRAWN BY BL CHEN	DATE 08-05-08	FILE NAME 08261D4T23-F_B.DWG		±0.004			



THE INFORMATION CONTAINED HEREIN IS CONSIDERED "PROPRIETARY" TO BEL FUSE INC. AND SHALL NOT BE COPIED, REPRODUCED OR DISCLOSED WITHOUT THE WRITTEN APPROVAL OF BEL FUSE INC.

SUGGESTED PANEL OPENING



NOTES:

THE DISTANCE OF PANEL INSIDE SURFACE RELATIVE TO FRONT SURFACE OF PART IS ONLY A SUGGESTION. IN CASE THIS DISTANCE IS DIFFERENT, THE REQUIRED PANEL OPENING DIMENSIONS CHANGE ACCORDINGLY.

PACKING INFORMATION

PACKING TRAY : 0200-9999-B4 (TOP)

0200-9999-B5 (BOTTOM)

PACKING QUANTITY : 24 PCS FINISHED GOODS PER TRAY

10 TRAYS (240 PCS FINISHED GOODS) PER CARTON BOX

NOTE : CARDBOARDS ARE PLACED BETWEEN LAYERS OF PACKING TRAY INSIDE CARTON BOX (INCLUDE THE UPPERMOST AND LOWERMOST TRAY)

ORIGINATED BY ZX HUANG	DATE 08-05-08	TITLE 1X4 gigabit MagJack® (TAB-UP WITH LEDS) 0826-1D4T-23-F	PART NO. / DRAWING NO. 08261D4T23-F	STANDARD DIM.		[ ] METRIC DIM. AS REFERENCE		 COMPONENTS AS A CONNECTED PLANET
				TOL. IN INCH		UNIT : INCH [mm]	REV. : B	
DRAWN BY BL CHEN	DATE 08-05-08		FILE NAME 08261D4T23-F_B.DWG	.X	±0.004	SCALE : N/A	SIZE : A4	
				.XX			PAGE : 6	
				.XXX				

DC002(2)032305

This document is electronically generated. This is a controlled copy if used internally