

## Excellent Integrated System Limited

Stocking Distributor

Click to view price, real time Inventory, Delivery & Lifecycle Information:

[Bel Fuse Inc.](#)  
[S560-6600-KM-F](#)

For any questions, you can email us directly:  
[sales@integrated-circuit.com](mailto:sales@integrated-circuit.com)



THE INFORMATION CONTAINED HEREIN IS CONSIDERED PROPRIETARY TO BEL FUSE INC. AND SHALL NOT BE COPIED, REPRODUCED OR DISCLOSED WITHOUT THE WRITTEN APPROVAL OF BEL FUSE INC.

ELECTRICAL PARAMETERS (@25°C)

NOMINAL TURNS RATIO:  
 (1-5) : (9-7) 4.5 : 1  
 CONNECT TERMINAL 2 TO 4

DC RESISTANCE:  
 (9-7) 0.60 Ω MAX  
 (1-4) 1.60 Ω MAX  
 (2-5) 1.60 Ω MAX

INDUCTANCE @ 10 kHz, 0.1 V<sub>rms</sub>:  
 (1-5) 3mH ±6%  
 CONNECT TERMINAL 2 TO 4

LEAKAGE INDUCTANCE:  
 (1-5) 25 μH MAX  
 CONNECT TERMINAL 2 TO 4 & 9 TO 7

INTERWINDING CAPACITANCE  
 BETWEEN 1 & 9 100pF MAX  
 CONNECT TERMINAL 2 TO 4

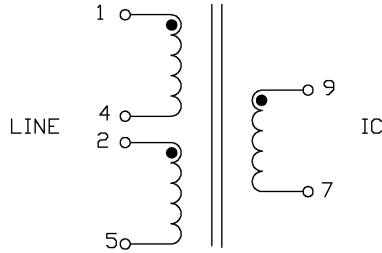
TOTAL HARMONIC DISTORTION:  
 3kHz, 1V<sub>rms</sub>, 35 mA DC -78dB MAX

DIELECTRIC RATING:  
 BETWEEN (1-5) & (9-7) 1500 V<sub>rms</sub>, 50Hz/60Hz

DESIGNED TO COMPLY WITH THE REQUIREMENTS OF UL1950 AND EN60950

OPERATING TEMPERATURE RANGE: -40°C to +85°C

SCHEMATIC

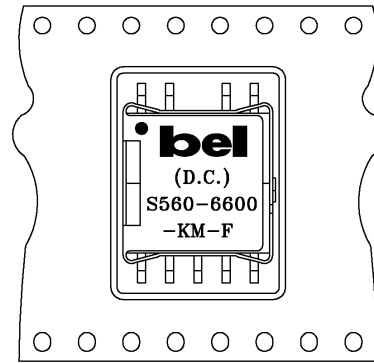
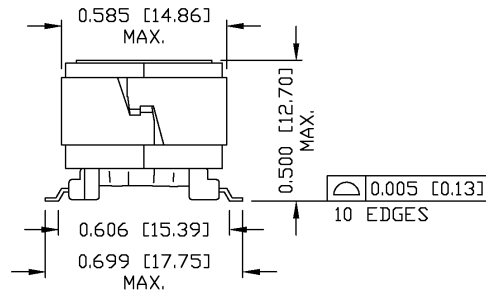
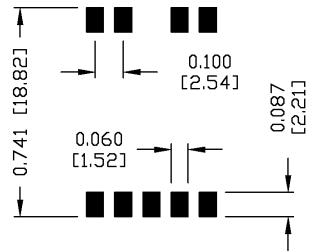
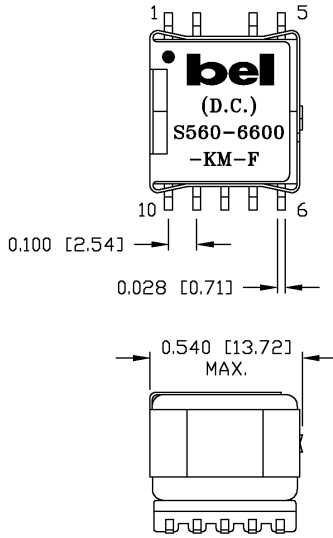


DRWN ZHENG	DATE 03-22-05	TITLE ELECTRICAL SPECIFICATION	PART NO. / DRAWING NO. S5606600KM-F	STANDARD DIM. TOL. IN INCH	[ ] METRIC DIM. AS REFERENCE		 COMPONENTS FOR A CONNECTED PLANET
CHKD J.BERRY/KDT	DATE 03-22-05		FILE NAME S5606600KMFA.DWG	.X	UNIT : INCH [mm]	REV. : A	
				.XX	SCALE : N/A	SIZE : A4	
FORM NO. - ENG02082001				.XXX		PAGE : 2	

THE INFORMATION CONTAINED HEREIN IS CONSIDERED "PROPRIETARY" TO BEL FUSE INC. AND SHALL NOT BE COPIED, REPRODUCED OR DISCLOSED WITHOUT THE WRITTEN APPROVAL OF BEL FUSE INC.



SUGGESTED PAD LAYOUT



USER FEED DIRECTION

ORIENTATION OF COMPONENT INSIDE POCKET

TAPE WIDTH	32MM
POCKET PITCH	24MM
QUANTITY OF COMPONENTS PER REEL	200
PLASTIC REEL OUTER DIAMETER	13 INCHES
PLASTIC REEL HUB DIAMETER	4 INCHES
COMPLY WITH EIA 481-2-A	

NOTES:

- STANDARD MARKING REFER TO DOC. HAND-WORK-04.
- PACKAGE CODE: "WCS003".

DRWN	DATE	
ZHENG	03-22-05	
CHKD	DATE	
MANC	03-22-05	

TITLE	
MECHANICAL DRAWING	

PART NO. / DRAWING NO.	S5606600KM-F
FILE NAME	S5606600KMFA.DWG

STANDARD DIM. TOL. IN INCH	[ ] METRIC DIM. AS REFERENCE
.X	UNIT : INCH [mm] REV. : A
.XX	SCALE : N/A SIZE : A4
.XXX	PAGE : 3



FORM NO. - ENG02082001

This document is electronically generated. This is a controlled copy if used internally