

Excellent Integrated System Limited

Stocking Distributor

Click to view price, real time Inventory, Delivery & Lifecycle Information:

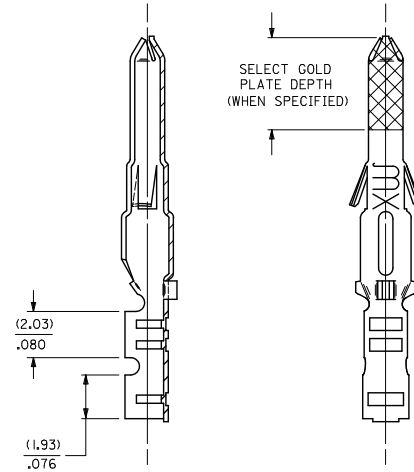
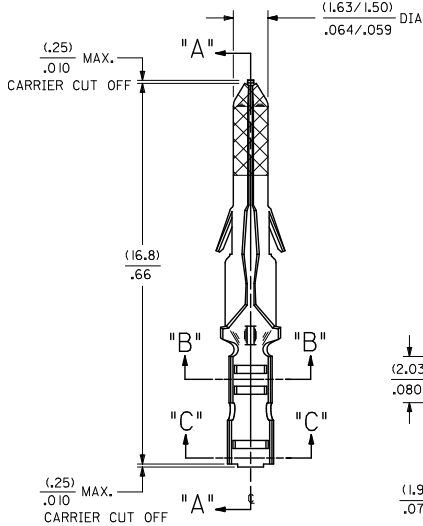
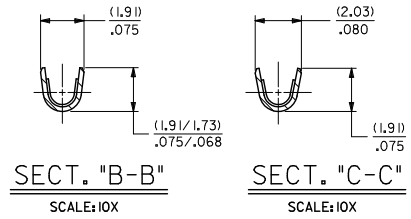
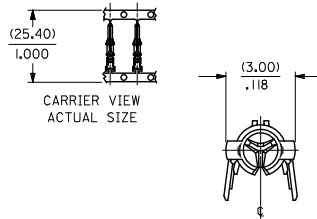
[Molex Connector Corporation](#)

[02-06-6135](#)

For any questions, you can email us directly:

sales@integrated-circuit.com

PART NO.	ENG. NO.	
02-06-2131	1854-(90 I)	
02-06-2132	1854-(90 DL)	
02-06-2134	1854-(90 II)	OBSOLETE
02-06-6137	1854-(59 I)	
02-06-6136	1854-(59 DL)	
02-06-6138	1854-(56 I)	
02-06-6139	1854-(56 DL)	
02-06-6130	1854-(550)	
02-06-6135	1854-(550 L)	
02-06-6143	1854-(228)	
02-06-6144	1854-(228 L)	
02-06-6145	1854-(603 I)	OBSOLETE



SECT. "A-A"

LEGEND

1854-(****)*

- P=PREPLATE
- BLANK=POSTPLATE
- FINISH CODE
- FORM
- BLANK=CHAIN
- I=CHAIN WITH INTERLEAF
- PAPER ON REEL.
- L=LOOSE

NOTES:

1. MATERIAL: BRASS
2. FINISHES:
 - 901 HOT TIN DIP (.00051)/.000020 MIN.
 - 228 SELECT GOLD PLATE (.00075)/.000030 MIN. IN CONTACT AREA, SELECT TIN (.00250)/.000100 MIN. IN CRIMP AREA OVER (.00125)/.000050 MIN. NICKEL OVERALL, WITH .000010/(0.00025) MAX. SELECT GOLD FLASH IN AREA INDICATED.
 - 561 SELECT GOLD PLATE (.00076)/.000030 MIN. IN CONTACT AREA, (.00127)/.000050 MIN. NICKEL OVERALL.
 - 591 SELECT GOLD PLATE (.00127)/.000050 MIN. IN CONTACT AREA, OVER (.00127)/.000050 MIN. NICKEL OVERALL WITH (.00025)/.000010 MAX. GOLD FLASH OVERALL.
 - 550 SELECT GOLD PLATE (.00038)/.000015 MIN. IN CONTACT AREA, OVER (.00076)/.000030 MIN. NICKEL OVERALL WITH (.00025)/.000010 MAX. GOLD FLASH OVERALL.
3. PRODUCT SPECIFICATION: PS-02-0-6
4. PACKAGE INFORMATION: NOT AVAILABLE
5. TERMINAL FOR USE WITH (157)/.062 DIA. SERIES HOUSINGS AND WILL ACCEPT 24 THRU 30 AWG WIRE WITH (102/2.29)/.040/.090 INSULATION DIAMETER.

QUALITY SYMBOLS	GENERAL TOLERANCES (UNLESS SPECIFIED)		DIMENSION STYLE		SCALE	DESIGN UNITS	THIRD ANGLE PROJECTION	
	mm	INCH	IN/MM	DATE				
▽=0	4 PLACES ±---	±---	DRAWN BY	2010/07/08	8:1	INCH	CRIMP TERMINAL, MALE .062 DIA. FOR 24-30 AWG WIRE	
▽=0	3 PLACES ±---	±.010	CHECKED BY	2010/07/08				
▽=0	2 PLACES ±0.25	±.014	APPROVED BY	2010/08/05				
	1 PLACE ±0.35	±---	ANGULAR ±1/2°		MATERIAL NO.	DOCUMENT NO.	MOLEX INCORPORATED	
			DRAFT WHERE APPLICABLE MUST REMAIN WITHIN DIMENSIONS		SEE CHART	SD-1854-*	SHEET NO. 1 OF 1	
			THIS DRAWING CONTAINS INFORMATION THAT IS PROPRIETARY TO MOLEX INCORPORATED AND SHOULD NOT BE USED WITHOUT WRITTEN PERMISSION					