

## Excellent Integrated System Limited

Stocking Distributor

Click to view price, real time Inventory, Delivery & Lifecycle Information:

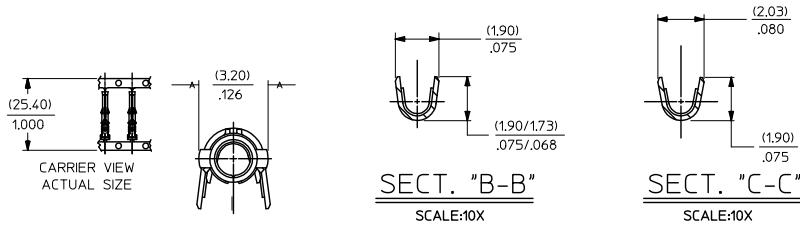
[Molex Connector Corporation](#)

[02-06-5135](#)

For any questions, you can email us directly:

[sales@integrated-circuit.com](mailto:sales@integrated-circuit.com)

PART NO.	ENG. NO.	
02-06-1131	1855-(P901)	
02-06-1132	1855-(P901)L	
02-06-5137	1855-(P591)	OBSOLETE
02-06-5136	1855-(P591)L	OBSOLETE
02-06-5138	1855-(P561)	
02-06-5139	1855-(P561)L	
02-06-5130	1855-(P550)	
02-06-5135	1855-(P550)L	
02-06-5147	1855-(P228)	
02-06-5148	1855-(P228)L	
02-06-1141	1855-1(P901)	
NOT TOOLED	1855-1(P901)L	
02-06-1143	1855-(P901)1	



**LEGEND**

1855-\*(\*\*\*\*)\*

BLANK-WITH LOCKING TABS  
1-WITHOUT LOCKING TABS

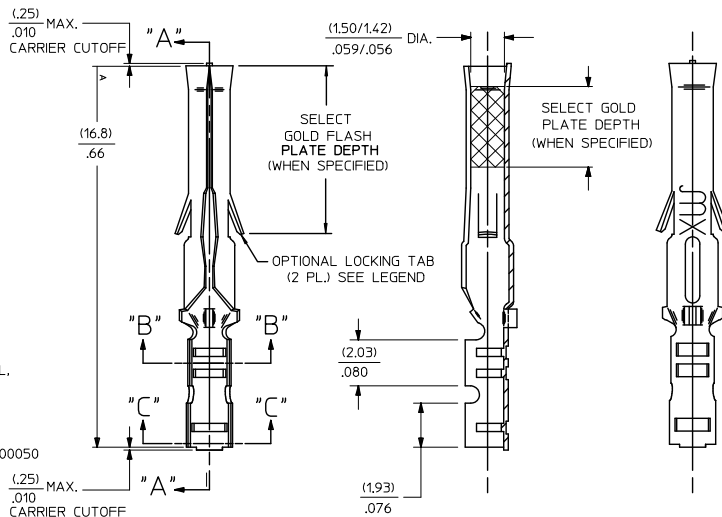
P=PREPLATE  
BLANK=POSTPLATE

FORM  
BLANK=CHAIN  
1=CHAIN WITH INTERLEAF  
PAPER ON REEL.  
L=LOOSE

FINISH CODE

**NOTES:**

- MATERIAL: BRASS
- FINISHES:
  - 901 HOT TIN DIP (.0005)/.000020 MIN.
  - \* 228 SELECT GOLD PLATE (.00075)/.000030 MIN. IN CONTACT AREA, SELECT TIN (.00250)/.000100 MIN. IN CRIMP AREA OVER (.00125)/.000050 MIN. NICKEL OVERALL, WITH .000010/(0.00025) MAX. SELECT GOLD FLASH IN AREA INDICATED.
  - 561 SELECT GOLD PLATE (.00076)/.000030 MIN. IN CONTACT AREA, (.00127)/.000050 MIN. NICKEL OVERALL.
  - 591 SELECT GOLD PLATE (.00127)/.000050 MIN. IN CONTACT AREA, OVER (.00127)/.000050 MIN. NICKEL OVERALL WITH (.00025)/.000010 MAX. GOLD FLASH OVERALL.
  - 550 SELECT GOLD PLATE (.00038)/.000015 MIN. IN CONTACT AREA, OVER (.00076)/.000030 MIN. NICKEL OVERALL WITH (.00025)/.000010 MAX. GOLD FLASH OVERALL.
- THE PRIMARY SHIPPING CARTON WILL BE LABELED, \*COMPLIANT TO RoHS DIRECTIVE 2002/95/EC AND ELV ANNEX II OF DIRECTIVE 2000/53/EC THIS LABEL MAY CONTAIN PRODUCT WITH TIN-LEAD.
- PRODUCT SPECIFICATION: PS-02-0-6
- PACKAGE INFORMATION: NOT AVAILABLE
- TERMINAL FOR USE WITH (1.57)/.062 DIA. SERIES HOUSINGS AND WILL ACCEPT 24 THRU 30 AWG WIRE WITH (1.02/2.29)/.040/.090 INSULATION DIAMETER.



AP	REVISE S/N/P/PLATE REDRAWN TO NEW ICP/2004-2097 5/07/04 RHWLTS
AN	OBSOLETE P/N UCR/2002-0270 CONN/01/09/28
AM1	OBSOLETE -P579 & -P579L ECR UK 0356 CAC/01/05/95 RW
AM	REV. AND REDRAWN PER ECR 0372 GEP 6-17-87 RW

REV. MATL SPEC/CAST TO HEAD	EC NO: WCP/2004-20097	DRAWN/HOLTS 2004/05/14	CHKD: 2004/05/14	APPR:FSMITH 2004/05/18	DESCRIPTION	QUALITY SYMBOLS	GENERAL TOLERANCES (UNLESS SPECIFIED)		SCALE 8:1	DESIGN UNITS INCH	THIRD ANGLE PROJECTION	REVISE ON CAD ONLY
							mm	INCH	DIMENSION STYLE IN/MM		TITLE	
						0	4 PLACES ±---	±---	DRAWN BY GEP	DATE 1987/09/17	CRIMP TERMINAL, FEMALE (1.57)/.062 DIA., BRASS FOR 24 THRU 30 GA. WIRE	
						0	3 PLACES ±---	±.1	CHECKED BY RW	DATE 1987/09/17	MOLEX MOLEX INCORPORATED	
							2 PLACES ±0.25	±.014	APPROVED BY RAS	DATE 1987/09/17	MATERIAL NO. SEE CHART	DOCUMENT NO. SD-1855-*
							1 PLACE ±0.35	±---	THIS DRAWING CONTAINS INFORMATION THAT IS PROPRIETARY TO MOLEX INCORPORATED AND SHOULD NOT BE USED WITHOUT WRITTEN PERMISSION			
							ANGULAR ±1/2°		SHEET NO. 1 OF 1			
							DRAFT WHERE APPLICABLE MUST REMAIN WITHIN DIMENSIONS					