

Excellent Integrated System Limited

Stocking Distributor

Click to view price, real time Inventory, Delivery & Lifecycle Information:

[Molex Connector Corporation](#)

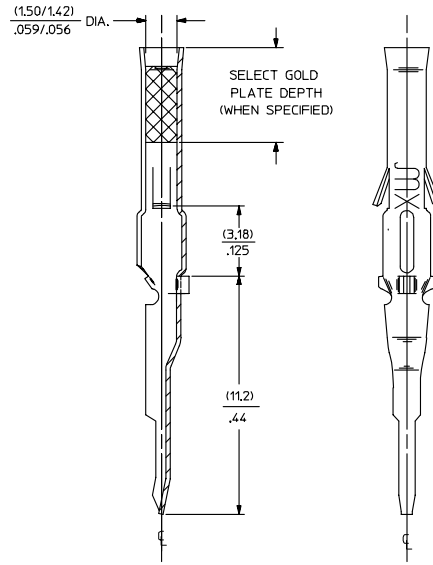
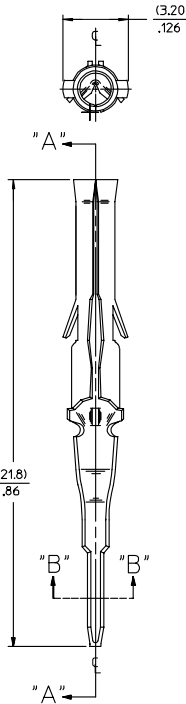
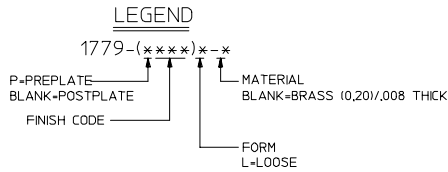
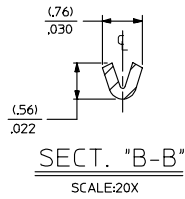
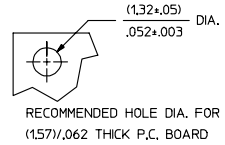
[02-06-7104](#)

For any questions, you can email us directly:

sales@integrated-circuit.com

PART NO.	ENG. NO.
02-06-7103	1779-(P909)L
02-06-7104	1779-(P228)L

1779



SECT. "A-A"

NOTES:

1. MATERIAL: BRASS
2. FINISH:
 - 909 HOT TIN DP* (.00254)/.000100 MIN.
 - 228 SELECT GOLD PLATE (.00075)/.000030 MIN. IN CONTACT AREA, SELECT TIN* (.00250)/.000100 MIN. IN TAIL AREA, OVER (.00125)/.000050 MIN. NICKEL OVERALL.
 - * THE PRIMARY SHIPPING CARTON WILL BE LABELED, "COMPLIANT TO RoHS DIRECTIVE 2002/95/EC AND ANNEX II OF DIRECTIVE 2000/53/EC", AND CARTONS WITHOUT THIS LABEL MAY CONTAIN PRODUCT WITH TIN-LEAD.
3. PRODUCT SPECIFICATION: PS-02-06.
4. PACKAGING INFORMATION: NOT AVAILABLE
5. TERMINAL FOR USE WITH (1.57)/.062 SERIES HOUSINGS.

OBSOLETE P/N EC NO. DRAWN: LOWE CHKD: ADERR APPR: F SMITH DATE: 2005/06/13 DATE: 2005/06/16 DATE: 2005/06/20 DESCRIPTION	QUALITY SYMBOLS	GENERAL TOLERANCES (UNLESS SPECIFIED)	SCALE 8:1	DESIGN UNITS INCH	THIRD ANGLE PROJECTION	REVISE ON CAD ONLY
	4 PLACES ±.005 ±.005 3 PLACES ±.010 ±.010 2 PLACES ±.015 ±.015 1 PLACE ±.025 ±.025 ANGULAR ±1/2°	DIMENSION STYLE MM/IN DRAWN BY DATE GEP 1987/11/02 CHECKED BY DATE RW 1987/11/02 APPROVED BY DATE RAS 1987/11/02	DIMENSION STYLE MM/IN DRAWN BY DATE GEP 1987/11/02 CHECKED BY DATE RW 1987/11/02 APPROVED BY DATE RAS 1987/11/02	DIMENSION STYLE MM/IN DRAWN BY DATE GEP 1987/11/02 CHECKED BY DATE RW 1987/11/02 APPROVED BY DATE RAS 1987/11/02	DIMENSION STYLE MM/IN DRAWN BY DATE GEP 1987/11/02 CHECKED BY DATE RW 1987/11/02 APPROVED BY DATE RAS 1987/11/02	DIMENSION STYLE MM/IN DRAWN BY DATE GEP 1987/11/02 CHECKED BY DATE RW 1987/11/02 APPROVED BY DATE RAS 1987/11/02
AA	REV	DRAFT WHERE APPLICABLE MUST REMAIN WITHIN DIMENSIONS	TITLE TERMINAL, FEMALE (1.57)/.062 DIA P.C. TAIL TYPE MOLEX INCORPORATED SEE CHART SD-1779-* MATERIAL NO. DOCUMENT NO. SHEET NO. THIS DRAWING CONTAINS INFORMATION THAT IS PROPRIETARY TO MOLEX INCORPORATED AND SHOULD NOT BE USED WITHOUT WRITTEN PERMISSION			