

Excellent Integrated System Limited

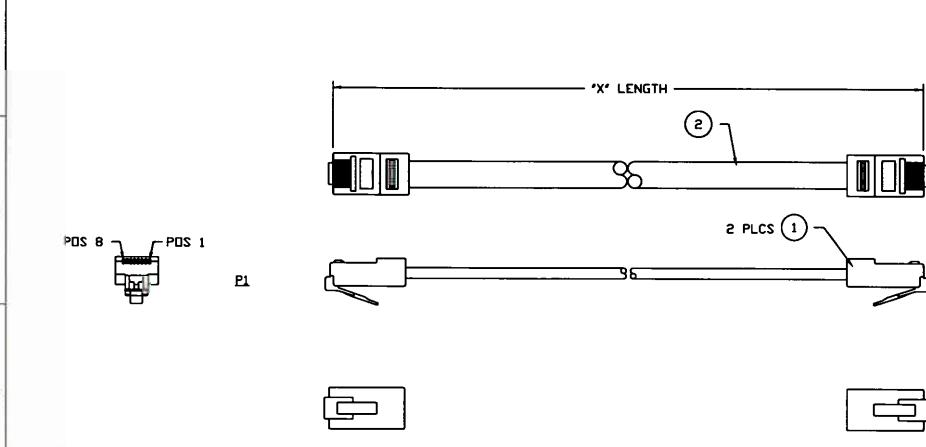
Stocking Distributor

Click to view price, real time Inventory, Delivery & Lifecycle Information:

For any questions, you can email us directly:

sales@integrated-circuit.com

A		B		C		D		E		F		G		H	
THESE DRAWINGS AND SPECIFICATIONS ARE THE SOLE PROPERTY OF I/O INTERCONNECT INC., U.S.A. AND SHALL NOT BE REPRODUCED, COPIED, OR USED IN ANY MANNER WITHOUT THE PRIOR WRITTEN CONSENT OF I/O INTERCONNECT INC. OR ITS AFFILIATED SUBSIDIARIES.										DWG. NO.	ZONE	REV.	DESCRIPTION	DATE	APPROVED
										XXB-512-D		C	ECN C285	08/21/01	K.C.
												D	ADD NOTE & CHANGE P/N TO ROHS COMPLIANT PER ECN DB31	04/21/05	M.G.



WIRE DIAGRAM

P1		P2
1	GRAY	8
2	ORANGE	7
3	BLACK	6
4	RED	5
5	GREEN	4
6	YELLOW	3
7	BLUE	2
8	BROWN	1

NOTES: UNLESS OTHERWISE SPECIFIED.

1. CABLE TO BE BUNDLED AND TWIST TIED.
2. TEST CABLE FOR ALL OPENS & SHORTS.
3. PACKAGE CABLE ASSEMBLY INDIVIDUALLY IN PLASTIC BAG. PACKAGE INDIVIDUAL BAG PER LOT NUMBER QUANTITIES.
4. MARK OUTSIDE OF SHIPPING BOX WITH CUSTOMER PART NUMBER.
5. PLACE BAR CODE LABEL ON THE OUTSIDE OF EACH SHIPPING BOX LABEL DETAIL SEE DWG 090-990-001.
6. ALL MATERIAL SHOULD BE ROHS COMPLIANT.

T.B.D.	GLF-488-258-512-D	25.0 FT ± 4.0 IN 7.62 M ± 101.6 MM
T.B.D.	GLF-488-148-512-D	14.0 FT ± 3.0 IN 4.27 M ± 76.2 MM
H1881-07-ND	GLF-488-078-512-D	7.0 FT ± 2.0 IN 2.13 M ± 50.8 MM
PART NUMBER DIGI-KEY	PART NUMBER I/O INTERCONNECT	LENGTH 'X'

THIRD ANGLE PROJECTION		I/O INTERCONNECT SANTA ANA, CALIFORNIA	
	DR. BY: JERRY SH M/SL/US IN CHECKER:	TITLE: BPBP MODULAR, STANDARD STYLE, WHITE, CABLE ASSEMBLY P/N: H1881-XX-ND	
UNLESS OTHERWISE NOTED: 1) DIMENSIONS ARE IN INCHES (MILLIMETER) 2) TOLERANCES: X.XX ± 0.25 (6.35)	PART NO: GLF-488-XXB-512-D ENG NO: GLF-488-XXB-512-D CUSTOMER: DIGI-KEY	REV. D	SCALE: NONE SHEET 1 OF 1

ITEM	QTY	MFG	IOI PART NO.	DESCRIPTION
2	'X'	IOI	GLF-120-810-020	MODULAR CABLE, 26 AWG (7/34) BARE COPPER, 8 CONDUCTOR, UNSHIELDED, WHITE PVC. ROHS COMPLIANT.
1	2 PCS	IOI	GLF-325-881-50X	CONNECTOR, MODULAR PLUG, 8 POSITION, 8 CONDUCTOR, 50u" Au, FLAT TYPE EXIT, ROHS COMPLIANT.

CABLE ASSEMBLY PARTS LIST