

Excellent Integrated System Limited

Stocking Distributor

Click to view price, real time Inventory, Delivery & Lifecycle Information:

[I/O Interconnect](#)
[GLF-444-254-501-D](#)

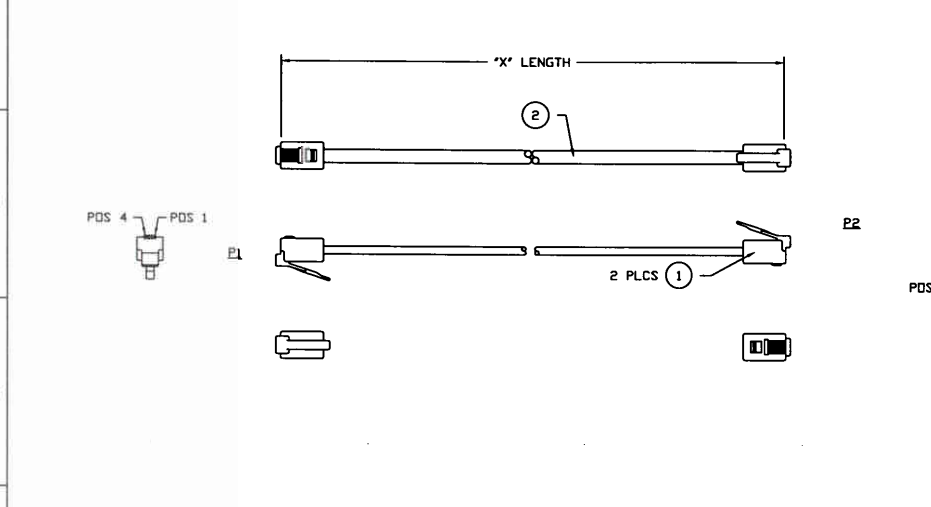
For any questions, you can email us directly:

sales@integrated-circuit.com



THESE DRAWINGS AND SPECIFICATIONS ARE THE SOLE PROPERTY OF I/O INTERCONNECT INC., U.S.A. AND SHALL NOT BE REPRODUCED, COPIED, OR USED IN ANY MANNER WITHOUT THE PRIOR WRITTEN CONSENT OF I/O INTERCONNECT INC. OR ITS AFFILIATED SUBSIDIARIES.

| DWG. NO. | ZONE | REV. | DESCRIPTION | DATE | APPROVED |
|-----------|------|------|--|----------|----------|
| XX4-501-D | | C | ECN C285 | 09/21/01 | K.C. |
| | | D | ADD NOTE & CHANGE P/N TO RDHS COMPLIANT PER ECN D628 | 04/22/05 | M.G. |



WIRE DIAGRAM

| P1 | | P2 |
|----|--------|----|
| 1 | BLACK | 1 |
| 2 | RED | 2 |
| 3 | GREEN | 3 |
| 4 | YELLOW | 4 |

NOTES: UNLESS OTHERWISE SPECIFIED.

- CABLE TO BE BUNDLED AND TWIST TIED.
- TEST CABLE FOR ALL OPENS & SHORTS.
- PACKAGE CABLE ASSEMBLY INDIVIDUALLY IN PLASTIC BAG. PACKAGE INDIVIDUAL BAG PER LDT NUMBER QUANTITIES.
- MARK OUTSIDE OF SHIPPING BOX WITH DIGI-KEY PART NUMBER.
- PLACE BAR CODE LABEL ON THE OUTSIDE OF EACH SHIPPING BOX LABEL DETAIL SEE DWG 090-990-001.
- ALL METRICAL SHOULD BE RDHS COMPLIANT.

| | | |
|-------------------------|---------------------------------|---------------------------------------|
| T.B.D. | GLF-444-254-501-D | 25.0 FT ± 4.0 IN 7.62 M ± 101.6 MM |
| H2442-14-ND | GLF-444-144-501-D | 14.0 FT ± 3.0 IN 4.27 M ± 76.2 MM |
| H2442-07-ND | GLF-444-074-501-D | 7.0 FT ± 2.0 IN 2.13 M ± 50.8 MM |
| PART NUMBER DIGI-KEY | PART NUMBER I/O INTERCONNECT | LENGTH 'X' |

THIRD ANGLE PROJECTION

I/O INTERCONNECT
 SANTA ANA, CALIFORNIA

TITLE: 4PAC MODULAR, REVERT STYLE, BLACK, CABLE ASSEMBLY
P/N: H2442-XX-ND

UNLESS OTHERWISE NOTED:
 1) DIMENSIONS ARE IN INCHES (MILLIMETER)
 2) TOLERANCES:
 XXX ± 0.25 [6.35]

| | | |
|-------------|------|--------------|
| DESIGNED BY | DATE | REV. D |
| CHECKED BY | DATE | |
| DRAWN BY | DATE | |
| SCALE | NONE | SHEET 1 OF 1 |

| ITEM | QTY | MFG. | IOI PART NO. | DESCRIPTION |
|------|-------|------|-----------------|---|
| 2 | 'X' | IOI | GLF-120-418-010 | MODULAR CABLE, 26 AVG (7/34) BARE COPPER, 4 CONDUCTOR, UNSHIELDED, BLACK PVC, RDHS COMPLIANT. |
| 1 | 2 PCS | IOI | GLF-325-441-50X | CONNECTOR, MODULAR PLUG, 4 POSITION, 4 CONDUCTOR, 50u" Au, FLAT TYPE EXIT. RDHS COMPLIANT. |

CABLE ASSEMBLY PARTS LIST