

Excellent Integrated System Limited

Stocking Distributor

Click to view price, real time Inventory, Delivery & Lifecycle Information:

[Phoenix Contact](#)
[1653744](#)

For any questions, you can email us directly:

sales@integrated-circuit.com



Extract from the online catalog

VS-A-F-IP67

Order No.: 1653744



<http://eshop.phoenixcontact.de/phoenix/treeViewClick.do?UID=1653744>

Panel mounting frame, IP67, for Freenet system, for round panel cutout, with grommet, without mounting screws, color: gray

Commercial data

| | |
|--------------------------|--------------------|
| EAN | 4017918970123 |
| Pack | 5 pcs. |
| Customs tariff | 85389099 |
| Weight/Piece | 0.00644 KG |
| Catalog page information | Page 195 (PC-2009) |

Product notes

WEEE/RoHS-compliant since:
04/26/2006



<http://www.download.phoenixcontact.com>
Please note that the data given here has been taken from the online catalog. For comprehensive information and data, please refer to the user documentation. The General Terms and Conditions of Use apply to Internet downloads.

Technical data

Mechanical characteristics

| | |
|---------------------------------|------------------|
| Number of slots | 1 |
| Insertion/withdrawal cycles | ≥ 1000 |
| Color | gray |
| Ambient temperature (operation) | -40 °C ... 80 °C |

VS-A-F-IP67 Order No.: 1653744

<http://eshop.phoenixcontact.de/phoenix/treeViewClick.do?UID=1653744>
Material data

| | |
|------------------------------------|---------|
| Inflammability class acc. to UL 94 | V0 |
| Housing material | PA |
| Material | Plastic |
| Sealing material | NBR |
| Seal material | NBR |
| Degree of protection | IP67 |

Electrical characteristics

| | |
|------------------|---|
| Pollution degree | 2 |
|------------------|---|

Accessories

| Item | Designation | Description |
|------|-------------|-------------|
|------|-------------|-------------|

Female insert

| | | |
|---------|----------------------|--|
| 1653838 | VS-04-BUA-BUB-F/IP67 | USB socket insert, 4-pos., socket USB type A on socket USB type B, for the Freenet system in the panel mounting frame, IP20 terminal outlet, 19" patch panel and service interface, pluggable from both directions |
| 1653854 | VS-04-BUA-FK-F/IP67 | USB socket insert, 4-pos., socket USB type A on flat-ribbon cable terminal strip, pitch 2.54, for the Freenet system in the panel mounting frame, IP20 terminal outlet, 19" patch panel and service interface |
| 1653867 | VS-04-BUB-FK-F/IP67 | USB socket insert, 4-pos., socket USB type B on flat-ribbon cable terminal strip, pitch 2.54, for the Freenet system in the panel mounting frame, IP20 terminal outlet, 19" patch panel and service interface |
| 1654329 | VS-06-BU-BU-F/IP67 | FireWire socket insert, 6-pos., socket on socket, for the Freenet system in the panel mounting frame, IP20 terminal outlet, 19" patch panel and service interface |
| 1654332 | VS-06-BU-FK-F/IP67 | FireWire socket insert, 6-pos., socket on flat-ribbon cable terminal strip, for the Freenet system in the panel mounting frame, IP20 terminal outlet, 19" patch panel and service interface, pitch: 2.54 mm |
| 1652936 | VS-08-BU-RJ45-5-F/PK | RJ45 socket insert, for the Freenet system, CAT5e, 8-pos., shielded, with cable connection (IDC fast connection), for solid wires AWG 24 ... 22 |
| 1652949 | VS-08-BU-RJ45-6-F/PK | RJ45 socket insert, for the Freenet system, CAT6, 8-pos., shielded, with cable connection (IDC fast connection), for litz and solid wires AWG 24 ... 22 |
| 1652978 | VS-SCRJ-GOF-BU/BU | SCRJ socket insert, duplex, for VS-A-F-IP67 panel mounting frame, can be used for glass, multi-mode, HCS and polymer fibers |

VS-A-F-IP67 Order No.: 1653744

<http://eshop.phoenixcontact.de/phoenix/treeViewClick.do?UID=1653744>

Marking

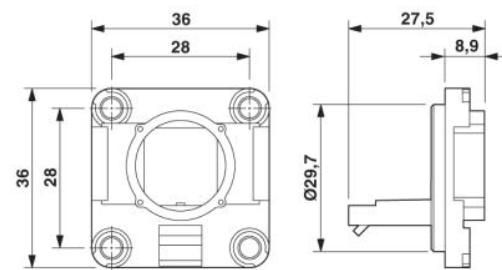
| | | |
|---------|---------------|--|
| 0814775 | VS-ZBFM-8-SET | Marker label set, consisting of 4 sheets (white, blue, yellow, orange) each with 50 labels for color marking of sleeve housings and panel mounting frames with IP67 protection |
|---------|---------------|--|

Protective covers

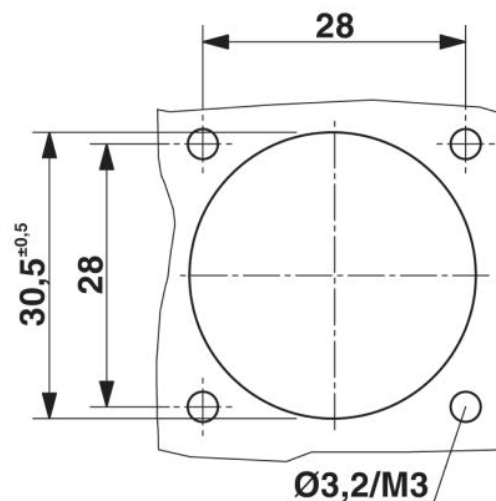
| | | |
|---------|------------|---|
| 1689200 | VS-08-SD | Protective cover, IP67, tall design |
| 1652606 | VS-08-SD-F | Protective cover, IP67, flat design, to cover the contact insert in the panel mounting frame, color: gray |

Diagrams/Drawings

Dimensioned drawing



Panel mounting frame for Freenet system



Panel cutout

VS-A-F-IP67 Order No.: 1653744

<http://eshop.phoenixcontact.de/phoenix/treeViewClick.do?UID=1653744>

Address

PHOENIX CONTACT Inc., USA
586 Fulling Mill Road
Middletown, PA 17057, USA
Phone (800) 888-7388
Fax (717) 944-1625
<http://www.phoenixcon.com>



© 2010 Phoenix Contact
Technical modifications reserved;