

## **Excellent Integrated System Limited**

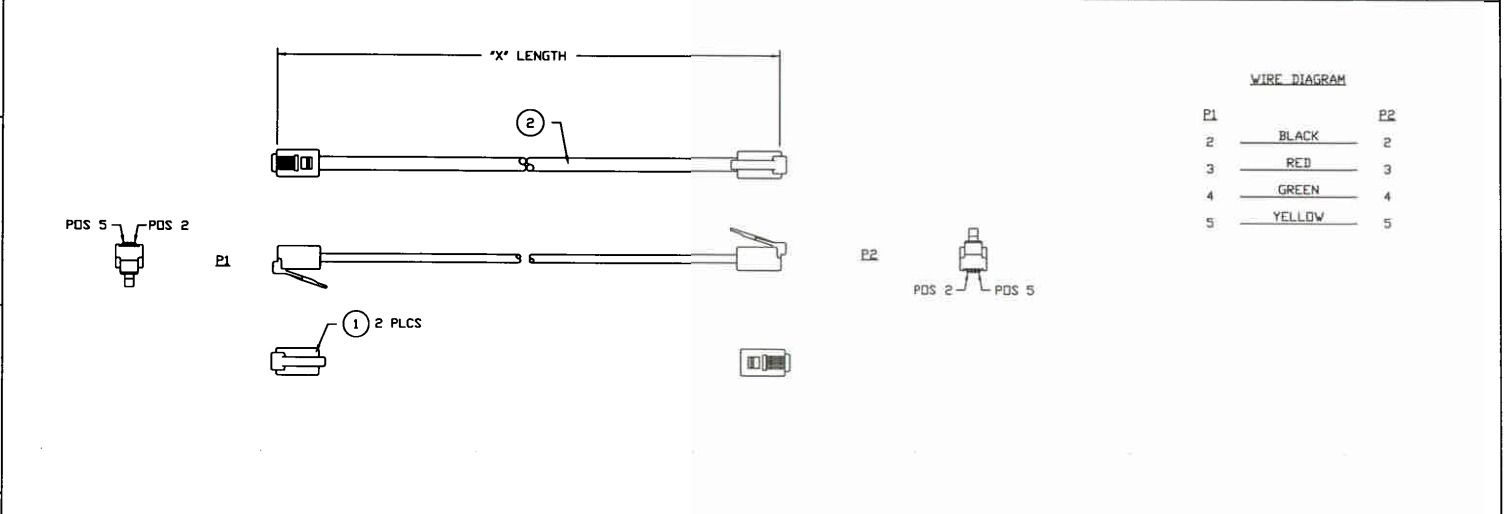
Stocking Distributor

Click to view price, real time Inventory, Delivery & Lifecycle Information:

[I/O Interconnect](#)  
[GLF-464-144-502-D](#)

For any questions, you can email us directly:  
[sales@integrated-circuit.com](mailto:sales@integrated-circuit.com)

THESE DRAWINGS AND SPECIFICATIONS ARE THE SOLE PROPERTY OF I/O INTERCONNECT INC., U.S.A. AND SHALL NOT BE REPRODUCED, COPIED, OR USED IN ANY MANNER WITHOUT THE PRIOR WRITTEN CONSENT OF I/O INTERCONNECT INC. OR ITS AFFILIATED SUBSIDIARIES.	DWG. NO. XX4-502-D	ZONE	REV. C	DESCRIPTION ECN CR85	DATE 08/20/01	APPROVED K.C.
			D	ADD NOTE & CHANGE P/N TO ROHS COMPLIANT PER ECN D029	04/21/05	M.G.



- NOTES: UNLESS OTHERWISE SPECIFIED.
- CABLE TO BE BUNDLED AND TWIST TIED.
  - TEST CABLE FOR ALL OPENS & SHORTS.
  - PACKAGE CABLE ASSEMBLY INDIVIDUALLY IN PLASTIC BAG. PACKAGE INDIVIDUAL BAG PER LOT NUMBER QUANTITIES.
  - MARK OUTSIDE SHIPPING BOX WITH CUSTOMER PART NUMBER.
  - PLACE BAR CODE LABEL ON THE OUTSIDE OF EACH SHIPPING BOX LABEL DETAIL SEE DWG 090-990-001.
  - ALL METRICAL SHOULD BE ROHS COMPLIANT.

2	*X*	IDI	GLF-120-410-020	MODULAR CABLE, 26 AWG (7/34) BARE COPPER, 4 CONDUCTOR, UNSHIELDED, WHITE PVC, ROHS COMPLIANT.
1	2 PCS	IDI	GLF-325-641-50X	CONNECTOR, MODULAR PLUG, 6 POSITION, 4 CONDUCTOR, 50u" AW, FLAT TYPE EXIT, ROHS COMPLIANT.
ITEM	QTY	MFG.	IDI PART NO.	DESCRIPTION
<b>CABLE ASSEMBLY PARTS LIST</b>				

H2641-25-ND	GLF-464-254-502-D	25.0 FT ± 4.0 IN 7.62 M ± 101.6 MM
T.B.D.	GLF-464-144-502-D	14.0 FT ± 3.0 IN 4.27 M ± 76.2 MM
H2641-07-ND	GLF-464-074-502-D	7.0 FT ± 2.0 IN 2.13 M ± 50.8 MM
PART NUMBER DIGI-KEY	PART NUMBER I/O INTERCONNECT	LENGTH *X*

THIRD ANGLE PROJECTION

UNLESS OTHERWISE NOTED:  
 1) DIMENSIONS ARE IN INCHES (MILLIMETER)  
 2) TOLERANCES:  
 .XXX ± 0.25 [6.35]

I/O INTERCONNECT SANTA ANA, CALIFORNIA		TITLE: 6P4C MODULAR, REVERT STYLE, WHITE, CABLE ASSEMBLY P/N H2641-XX-ND
DR. BY JONAS SUN	DATE	PART NO. GLF-464-XX4-502-D
DESIGNER		DWG NO. GLF-464-XX4-502-D
CUST./SALES		CUSTOMER DIGI-KEY
SA	SCALE NONE	REV. D
		SHEET 1 OF 1