

Excellent Integrated System Limited

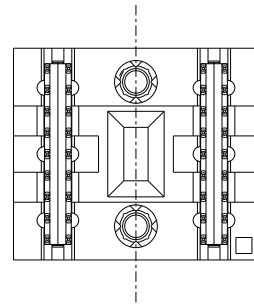
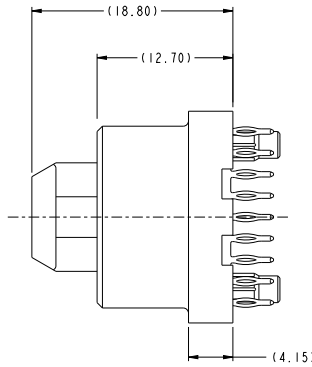
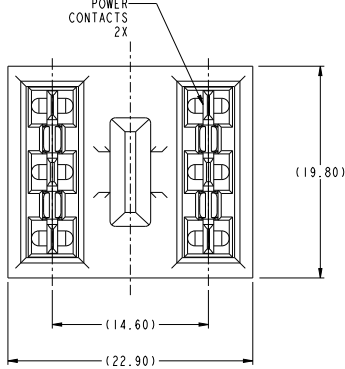
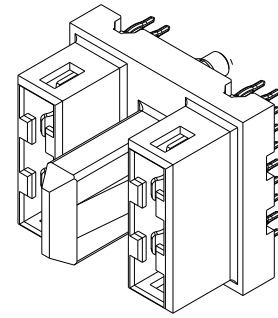
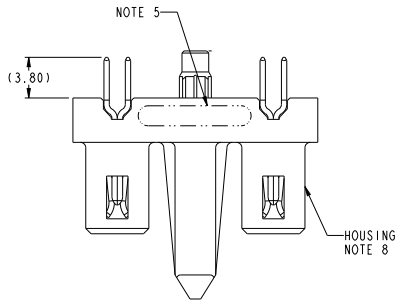
Stocking Distributor

Click to view price, real time Inventory, Delivery & Lifecycle Information:

[FCI](#)
[10087939-001LF](#)

For any questions, you can email us directly:
sales@integrated-circuit.com

PART NUMBER	TAIL PLATING	TAIL TYPE
10087939-001LF	Sn	PRESS-FIT



spec ref	-	dr	WenHua.Du	approved	projection	MM	size	A2	scale	1:1
tolerance std	TOLERANCES UNLESS OTHERWISE SPECIFIED	eng	WenHua	checked	product family	HCI	acc no		rel level	Released
ASME Y14.5		chr	WenHua	approved						
surface	linear	0.1	±0.5	FCI	ASSEMBLY, RECEPT, VERT,					
		0.2X	±0.25	www.fci.com	2 POSN BACKPLANE MODULE W/GUIDE					
		0.2X	±0.10							
ASME Y14.5	angular	0°	±2°							

PDS: Rev :C

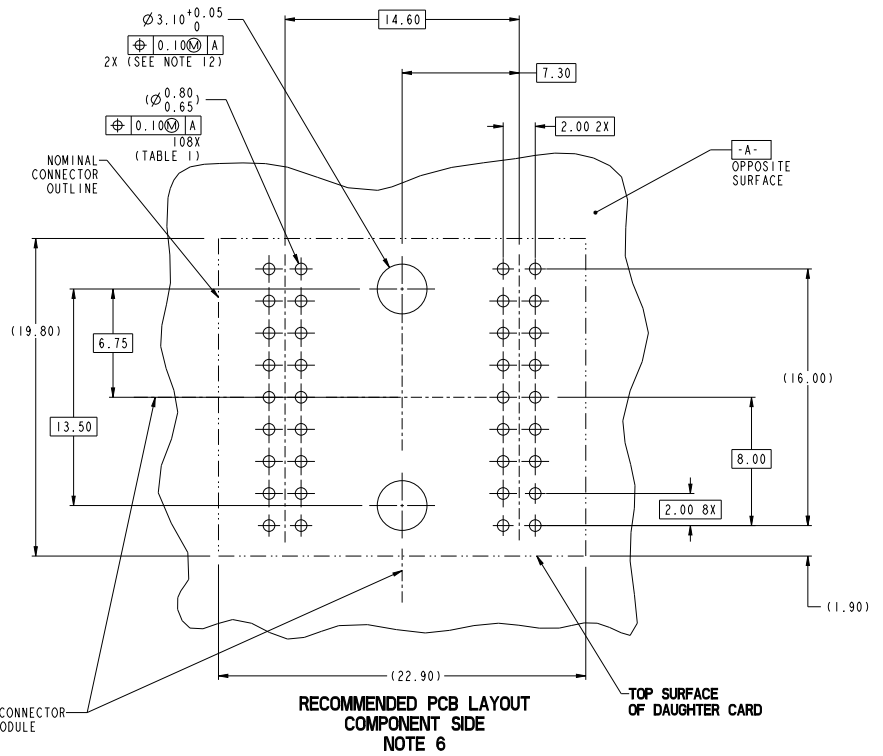
STATUS: Released

Printed: Dec 30, 2014

Copyright FCI.

TOP LAYER DESCRIPTION	DRILLED HOLE DIAMETER	COPPER THICKNESS	TIN-LEAD THICKNESS	NICKEL THICKNESS	GOLD THICKNESS	TIN THICKNESS	SILVER THICKNESS	FINISHED HOLE DIAMETER
TIN-LEAD	0.81-0.86 (0.85 DRILL)	0.025 - 0.050	0.005 - 0.015	--	--	--	--	0.65 - 0.80
IMMERSION TIN	0.81-0.86 (0.85 DRILL)	0.025 - 0.050	--	--	--	0.9 - 1.5um	--	0.70 - 0.80
IMMERSION SILVER	0.81-0.86 (0.85 DRILL)	0.025 - 0.050	--	--	--	--	0.15 - 0.65um	0.70 - 0.80
COPPER (SEE NOTE 9)	0.81-0.86 (0.85 DRILL)	0.025 - 0.050	--	--	--	--	--	0.70 - 0.80
GOLD	0.81-0.86 (0.85 DRILL)	0.025 - 0.050	--	0.003 - 0.007	FLASH UP TO 0.0002	--	--	0.69 - 0.80

- NOTES:
- CONNECTOR MATERIALS:
HOUSING: HIGH TEMPERATURE THERMOPLASTIC, BLACK
UL 94V-0 COMPLIANT
CONTACTS: HIGH PERFORMANCE COPPER ALLOY
 - CONTACT FINISH (Ref. GS-12-380 SECTION 5.2).
 - PRODUCT SPECIFICATION: GS-12-380. (IN PROGRESS)
 - APPLICATION SPECIFICATION: GS-20-070. (IN PROGRESS)
 - PRODUCT MARKING (PRODUCT NUMBER & DATE CODE) ON HOUSING IN AREA SHOWN.
 - MINIMUM NOMINAL PCB THICKNESS: 1.6mm
 - PACKAGING MEETS FCI SPECIFICATION GS-14-1194.
 - HOUSING COMPONENT WILL WITHSTAND EXPOSURE TO 260°C PEAK TEMPERATURE FOR 60 SECONDS IN A CONVECTION, INFRA-RED, OR VAPOR PHASE REFLOW OVEN.
 - COPPER PLATING THICKNESS IN CENTER OF VIA-HOLE CAN BE NO MORE THAN 0.003 LESS THAN OTHER AREAS.
 - ALL HOLE SIZES ARE FINISHED HOLE SIZES UNLESS OTHERWISE NOTED.
 - THE GUIDANCE SYSTEM OF THIS PRODUCT IS "NOT" INTENDED TO BE USED AS AN OVERALL SYSTEM GUIDE.
 - UNPLATED HOLE.



dr: Jeffrey Doherty	designed: Jeffrey Doherty	projection: MM	size: A2	scale: 1:1
eng: Jeffrey Doherty	checked: Jeffrey Doherty	product family: CONN	acc no: 10087939	rel level: Released
appr: Jeffrey Doherty	approved: Jeffrey Doherty	ASSEMBLY, RECEPT, VERT, 2 POSN BACKPLANE MODULE W/GUIDE		
www.fci.com cat. no.		Product - Customer Draw		sheet 2 of 2

PDS: Rev: C

STATUS: Released

Printed: Dec 30, 2014