

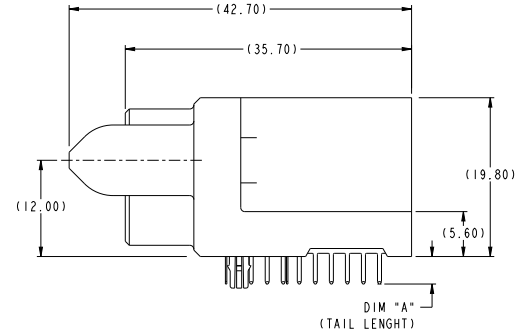
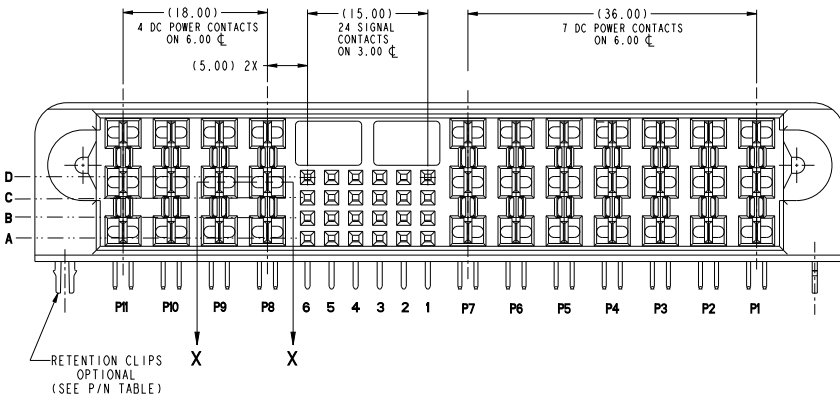
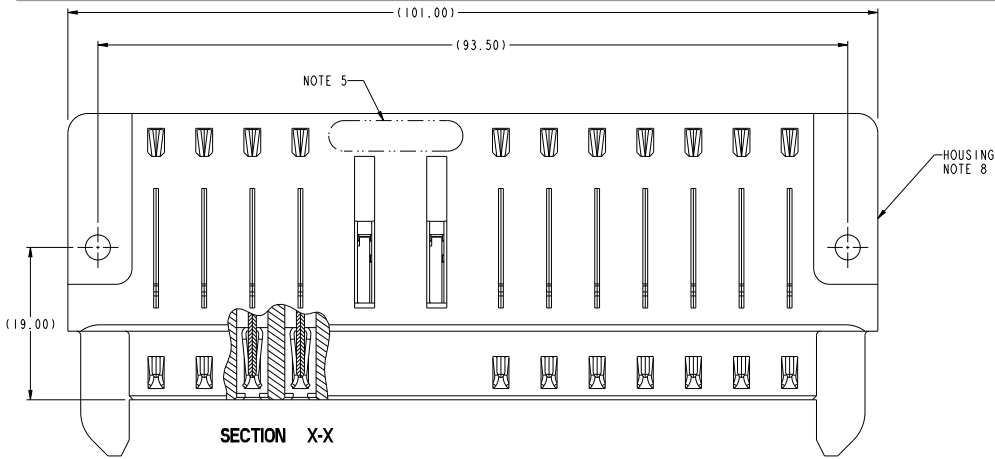
Excellent Integrated System Limited

Stocking Distributor

Click to view price, real time Inventory, Delivery & Lifecycle Information:

[FCI](#)
[10082724-001LF](#)

For any questions, you can email us directly:
sales@integrated-circuit.com

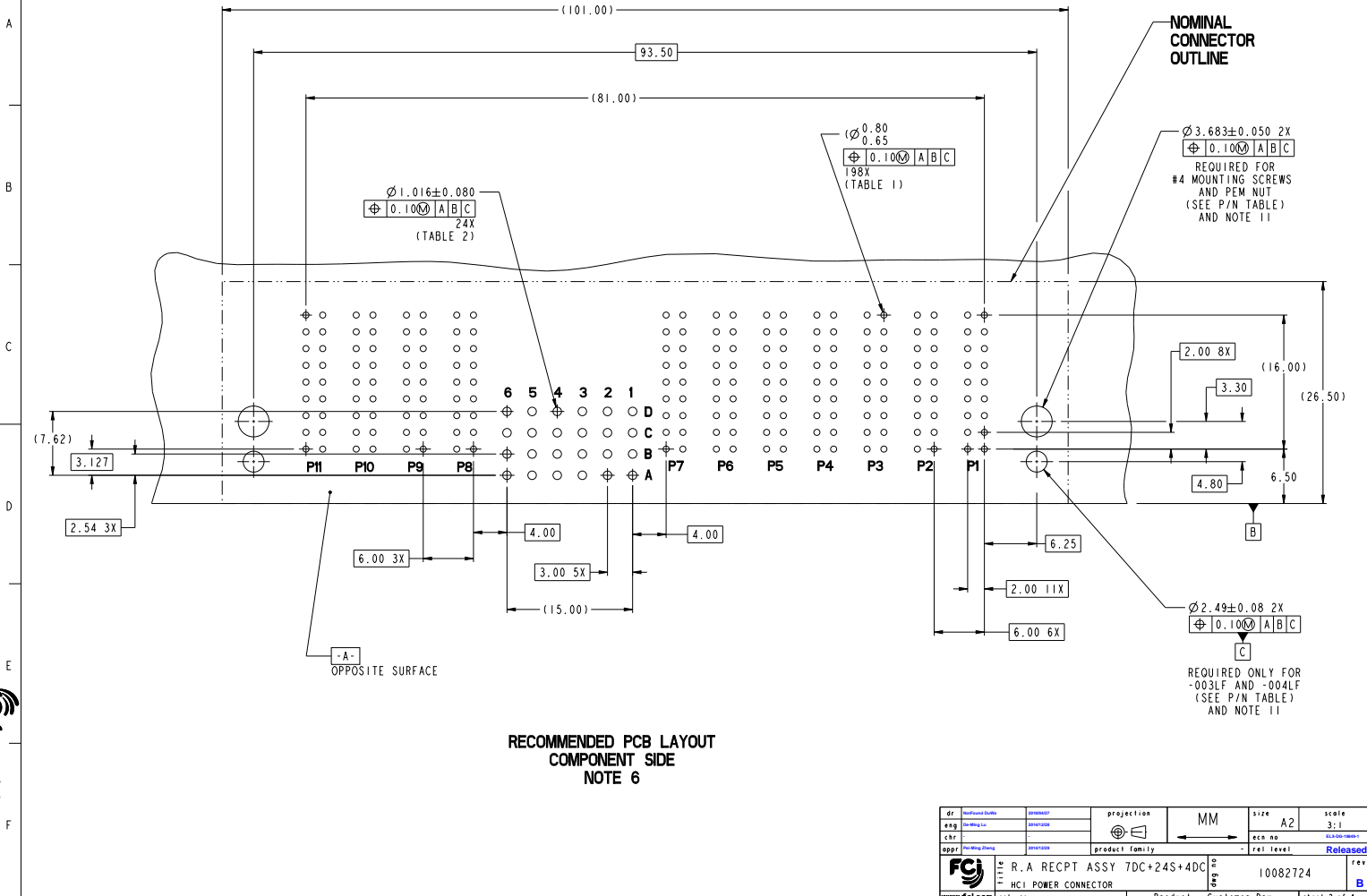


spec ref	-	dr	Wenfang Duan	approved	projection	MM	size	A2	scale	3:1
tolerance std	ASME Y14.5	eng	Wenfang Duan	checked	product family		acc no		rel level	Released
surface	linear	0.1	±0.5	0.25	±0.25	0.25	±0.10			
ASME Y14.5	angular	0°	±2°							
TOLERANCES UNLESS OTHERWISE SPECIFIED		www.fci.com		FCI		R.A RECEPT ASSY 7DC+24S+4DC		10082724		rev
						HCT POWER CONNECTOR				B
						Product - Customer Draw				sheet 1 of 4

PDS: Rev: B

STATUS: Released

Printed: Dec 30, 2014



**RECOMMENDED PCB LAYOUT
COMPONENT SIDE
NOTE 6**

dr	WenJian.Du	designed	projection	MM	size	A2	scale	3:1
eng	WenJian.Du	checked			acc no			
chr					product family		rel level	Released
appr	WenJian.Du	approved						
		R.A RECEPT ASSY 7DC+24S+4DC HCT POWER CONNECTOR		10082724		rev B		
www.fci.com		cat. no.		Product - Customer Draw		sheet 2 of 4		

PDS: Rev: B

STATUS: Released

Printed: Dec 30, 2014

Copyright FCI

A
B
C
D
E
F

A
B
C
D
E
F

TOP LAYER DESCRIPTION	TABLE 1 (HCI POWER) PLATED THROUGH-HOLE REQUIREMENTS							
	DRILLED HOLE DIAMETER	COPPER THICKNESS	TIN-LEAD THICKNESS	NICKEL THICKNESS	GOLD THICKNESS	TIN THICKNESS	SILVER THICKNESS	FINISHED HOLE DIAMETER
TIN-LEAD	0.81-0.86 (0.85 DRILL)	0.025 - 0.050	0.005 - 0.015	--	--	--	--	0.65 - 0.80
IMMERSSION TIN	0.81-0.86 (0.85 DRILL)	0.025 - 0.050	--	--	--	0.9 - 1.5um	--	0.70 - 0.80
IMMERSSION SILVER	0.81-0.86 (0.85 DRILL)	0.025 - 0.050	--	--	--	--	0.15 - 0.65um	0.70 - 0.80
COPPER (SEE NOTE 9)	0.81-0.86 (0.85 DRILL)	0.025 - 0.050	--	--	--	--	--	0.70 - 0.80
GOLD	0.81-0.86 (0.85 DRILL)	0.025 - 0.050	--	0.003 - 0.007	FLASH UP TO 0.0002	--	--	0.69 - 0.80

TOP LAYER DESCRIPTION	TABLE 2 (HPC SIGNALS) PLATED THROUGH-HOLE REQUIREMENTS							
	DRILLED HOLE DIAMETER	COPPER THICKNESS	TIN-LEAD THICKNESS	NICKEL THICKNESS	GOLD THICKNESS	TIN THICKNESS	SILVER THICKNESS	FINISHED HOLE DIAMETER
TIN-LEAD	1.125-1.175 ($\varnothing .0453 \pm .0010$)	0.025-0.050	0.005 - 0.015	--	--	--	--	0.94 - 1.10 ($\varnothing .040 \pm .003$)
IMMERSSION TIN			--	--	--	--	--	
IMMERSSION SILVER			--	--	--	--	--	
COPPER (SEE NOTE 9)			--	--	--	--	--	
GOLD			--	--	--	--	--	

Copyright FCI

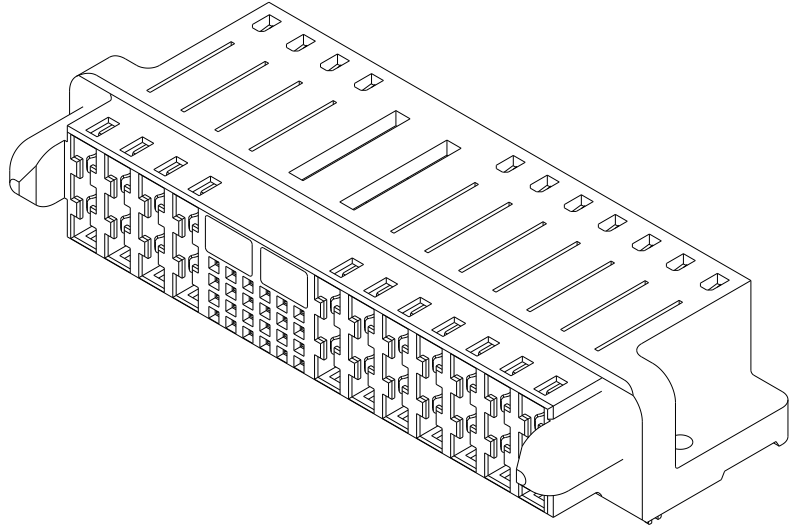
dr: Jianfeng Duan	designed by: Jianfeng Duan	projection:	MM	size: A2	scale: 1:1
eng: Jianfeng Duan	checked by: Jianfeng Duan			acc no: 10082724-001	rel level: Released
appr: Jianfeng Duan	approved by: Jianfeng Duan	product family: HCI POWER CONNECTOR			
		R.A RECEPT ASSY 7DC+24S+4DC		10082724	B
www.fci.com		cat. no.		Product - Customer Draw sheet 3 of 4	

PDS: Rev: B

STATUS: Released

Printed: Dec 30, 2014

PART NUMBER	RETENTION CLIPS	#4 SCREW	DIM A (TAIL LENGTH)	TAIL TYPE
10082724-001LF	NO	YES	3.43	SOLDER TAIL
10082724-002LF	NO	YES	4.70	SOLDER TAIL
10082724-003LF	YES	NO	3.43	SOLDER TAIL
10082724-004LF	YES	NO	4.70	SOLDER TAIL



NOTES:

1. CONNECTOR MATERIALS:
 HOUSING: HIGH TEMPERATURE THERMOPLASTIC, BLACK
 UL 94V-0 COMPLIANT
 CONTACTS: HIGH PERFORMANCE COPPER ALLOY
2. CONTACT FINISH (ref GS-12-380 SECTION 5.2)
3. PRODUCT SPECIFICATION: GS-12-380.
4. APPLICATION SPECIFICATION: GS-20-070.
5. PRODUCT MARKING (PRODUCT NUMBER & DATE CODE) ON HOUSING IN AREA SHOWN.
6. MINIMUM NOMINAL PCB THICKNESS: 1.6mm
7. PACKAGING MEETS FCI SPECIFICATION GS-14-1073.
8. HOUSING COMPONENT WILL WITHSTAND EXPOSURE TO 260°C PEAK TEMPERATURE FOR 60 SECONDS IN A CONVECTION, INFRA-RED, OR VAPOR PHASE REFLOW OVEN.
9. COPPER PLATING THICKNESS IN CENTER OF VIA-HOLE CAN BE NO MORE THAN 0.003 LESS THAN OTHER AREAS.
10. ALL HOLE SIZES ARE FINISHED HOLE SIZES.
11. MOUNTING HOLES ARE UNPLATED.

dr: Yi-Hsiang Shieh	designed by: JAMES CHEN	projection	MM	size	A2	scale	3:1
eng: Yi-Hsiang Shieh	checked by: JAMES CHEN			acc no		rel level	Released
chr: Yi-Hsiang Shieh	approved by: JAMES CHEN			product family			
		R.A RECEPT ASSY 7DC+24S+4DC		10082724		rev B	
www.fci.com		FCI POWER CONNECTOR		Product - Customer Draw		sheet 4 of 4	

PDS: Rev : B

STATUS: Released

Printed: Dec 30, 2014

Copyright FCI.