

## Excellent Integrated System Limited

Stocking Distributor

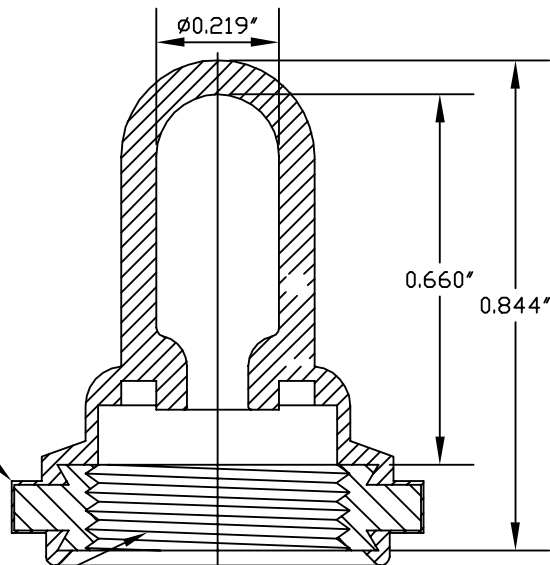
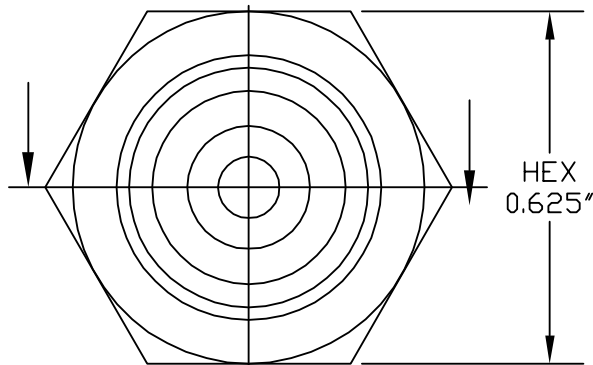
Click to view price, real time Inventory, Delivery & Lifecycle Information:

[APM Hexseal](#)  
[N1030 12](#)

For any questions, you can email us directly:  
[sales@integrated-circuit.com](mailto:sales@integrated-circuit.com)

**SPECIFICATIONS**

**Material:** HEXSEALS:Silicone rubber conforms to A-A-59588 Class 3, GR 50 unless otherwise specified.  
**Mounting Nut:** HEXSEALS: Brass, nickel-plated (unless otherwise noted)  
**Temperature Range:** HEXSEALS: -94°F to +400°F  
**Pressure Range:** Exceeds 15 psi internal and 1500 psi external.  
**Operational Life:** 50,000 actuations (minimum).  
**Shelf Life:** Excess of 25 years.  
**Resistant to:** Salt spray, sunlight, ozone, weather, fungus, and most acids and lubricating oils  
**Agency Recognition:** E-SEELS and HEXSEALS are UL-listed to UL Std. 50 types 1-13, and meet CSA standards.  
**Installation:** If a reducing adaptor is required - see page 14 of HEXSEAL catalog HEX200 for part numbers and drawing.



PERMISSIBLE RUBBER OVERLAY 0.005 MAX.

15/32-32NS-2B

C	MAT'L CHANGED and REDRAWN		S. GOK	06.11.09
B	CAD COMPUTER GENERATED			09.19.02
A	MODIFIED		R.C.	11.16.74
REV.	DESCRIPTION			DATE
	MAXIMUM AND MINIMUM MEASUREMENTS ARE STATED DIRECTLY ON EACH DIMENSION. MAT'L: Silicone Rubber A-A-59588, Gr.50	BOOT, TOGGLE, TOTALLY ENCLOSING (N-1030)	ENG. S. GOK	06.11.09
			DWN. S. ANDREWS	12.09.59
			CHKD. J. CELLA	06.11.09
FINISH: Black	APM-HEXSEAL CORPORATION	SCALE 3 : 1	DWG. NO. (N-1030 12) HEXSEAL®	

THIS DRAWING COVERS PROPRIETARY ITEM AND IS THE PROPERTY OF THE APM-HEXSEAL CORPORATION.  
 THIS DRAWING IS NOT TO BE COPIED OR USED WITHOUT THE WRITTEN APPROVAL OF AN OFFICER OF THE APM-HEXSEAL CORPORATION.