

Excellent Integrated System Limited

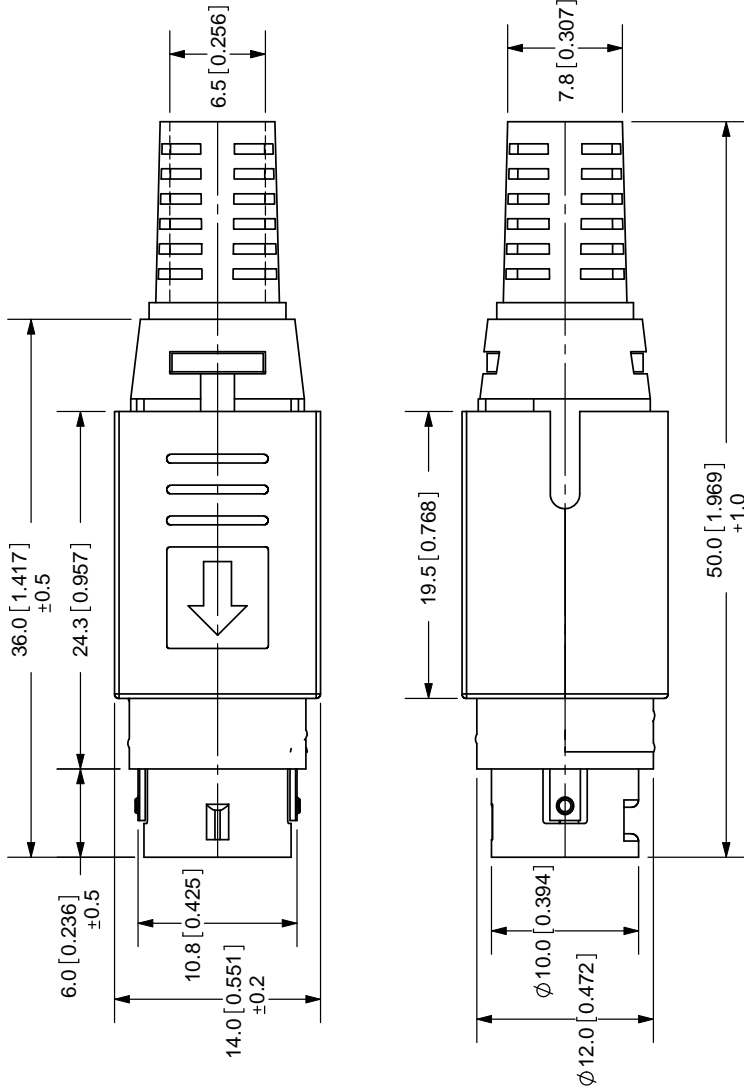
Stocking Distributor

Click to view price, real time Inventory, Delivery & Lifecycle Information:

[CUI Inc.](#)
[PDP-40](#)

For any questions, you can email us directly:
sales@integrated-circuit.com

REV. A	DESCRIPTION NEW DRAWING	DATE 12/1/2008
-----------	----------------------------	-------------------



TOLERANCE:
±0.2mm UNLESS OTHERWISE
SPECIFIED

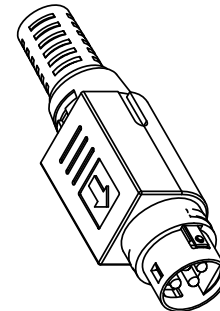
SPECIFICATIONS:
 RATING: 20V DC @ 7.5A
 INSULATION RESISTANCE: 50M OHMS MIN: 250V DC
 VOLTAGE WITHSTAND: 250V AC R.M.S. FOR 1 MINUTE
 LIFE: 5,000 CYCLES



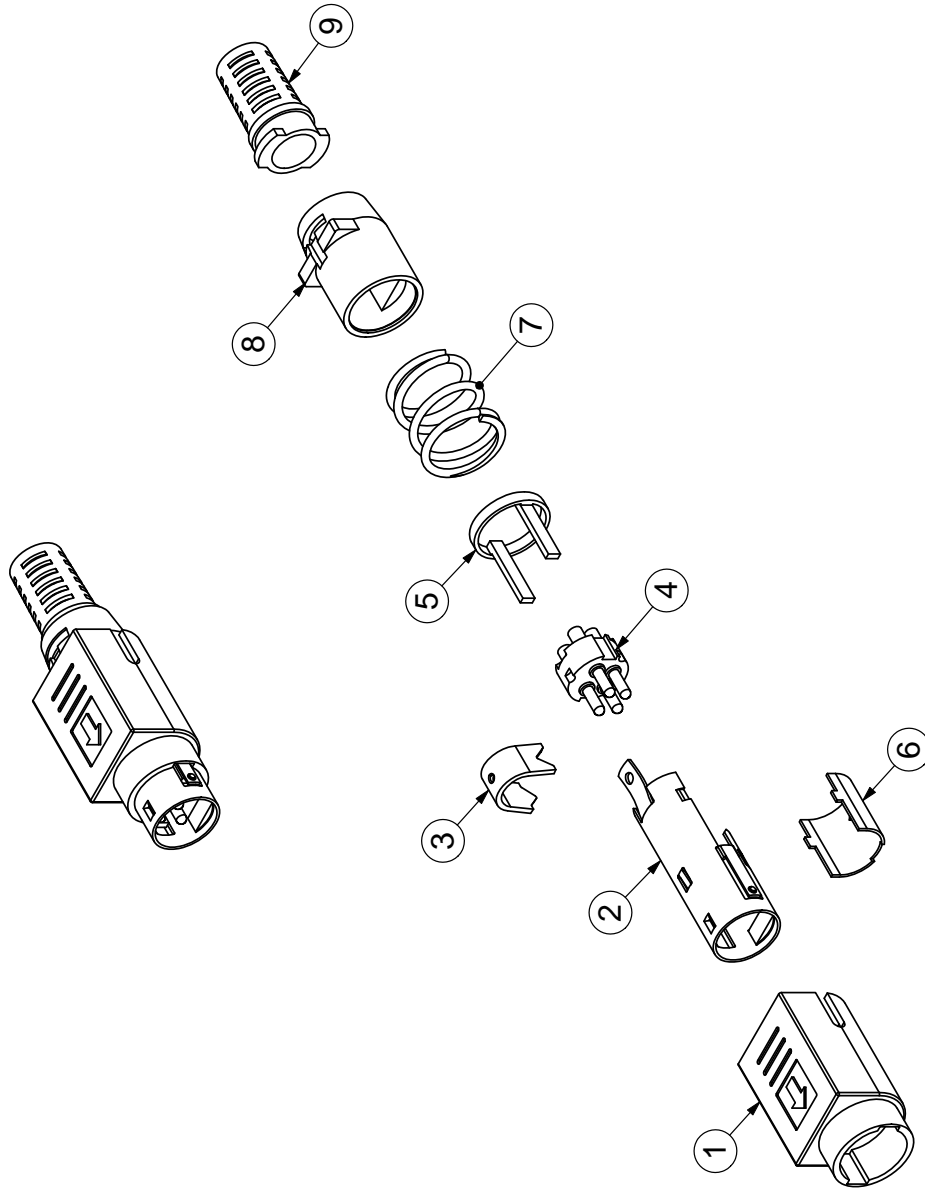
20050 SW 112th Ave.
 Tualatin, OR 97062
 Phone: 503-612-2300
 800-275-4899
 Fax: 503-612-2383
 Website: www.cui.com

	MATERIAL	PLATING
OUTER HOOD	ABS	
METAL SLEEVE	Brass	Nickel
CLAMP	Brass	Nickel
PIN/BODY	Brass/PBT	Silver
PLASTIC RING	POM	
METAL COVER	Brass	Nickel
SPRING	Steel	
INNER HOOD	ABS	
STRAIN RELIEF	PVC	

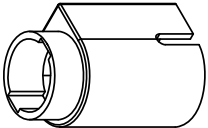

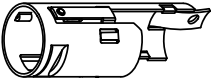
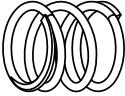

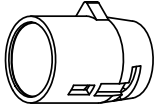
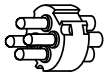
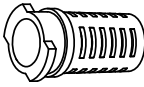
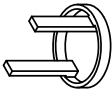
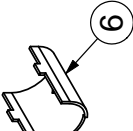
TITLE: 4-PIN POWER DIN PLUG	REV: A
PART NO: PDP-40	UNITS: MM [INCHES]
DRAWN BY: ZRJ	APPROVED BY:
	SCALE: 2:1



SCALE: 1:2

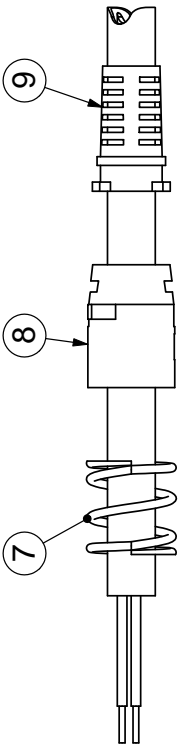


TITLE: 4-PIN POWER DIN PLUG	REV: A
PART NO: PDP-40	UNITS: MM [INCHES]
DRAWN BY: ZRJ	APPROVED BY:
	SCALE: 1:1

1	outer hood		
2	metal sleeve		
3	clamp		
4	pin body		
5	plastic ring		

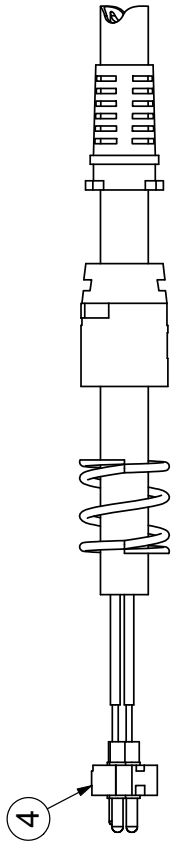
STEP 1

insert strain relief (9), inner hood (8), and spring (7) onto cable



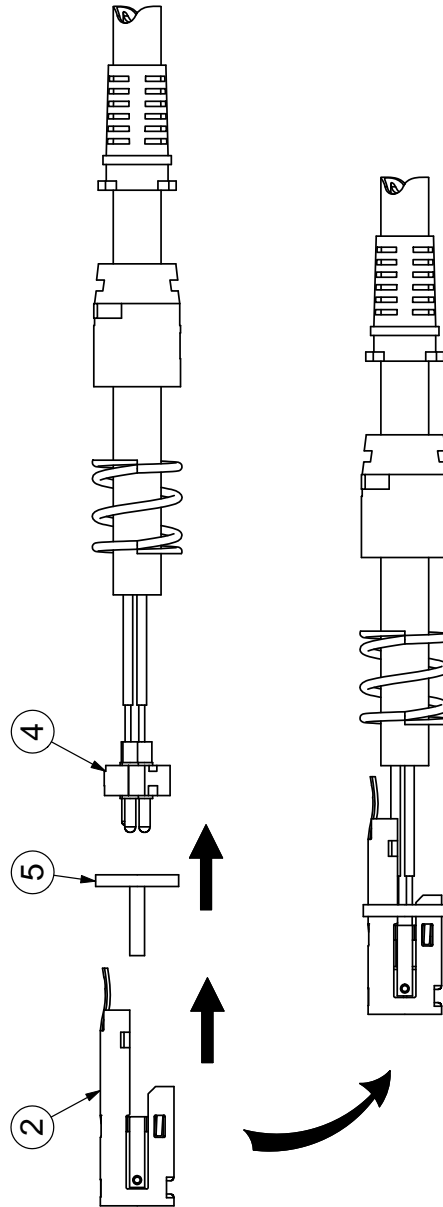
STEP 2

solder wires to contacts on pin body (4)



STEP 3

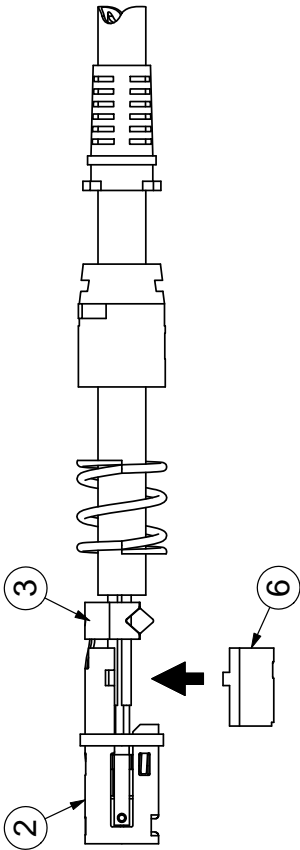
push pin body (4) and plastic ring (5) into metal sleeve (2)



TITLE: 4-PIN POWER DIN PLUG	REV: A
PART NO: PDP-40	UNITS: MM [INCHES]
DRAWN BY: ZRJ	APPROVED BY:
	SCALE: 1:1

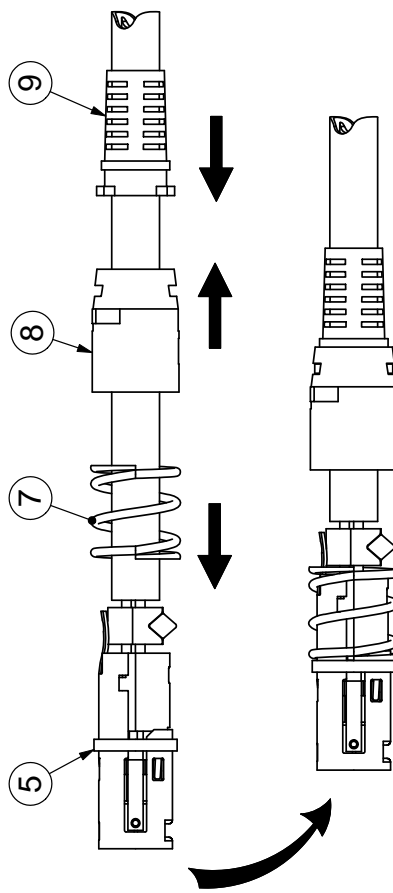
STEP 4

crimp the clamp (3) onto wires, assemble metal cover (6) onto metal sleeve (2)



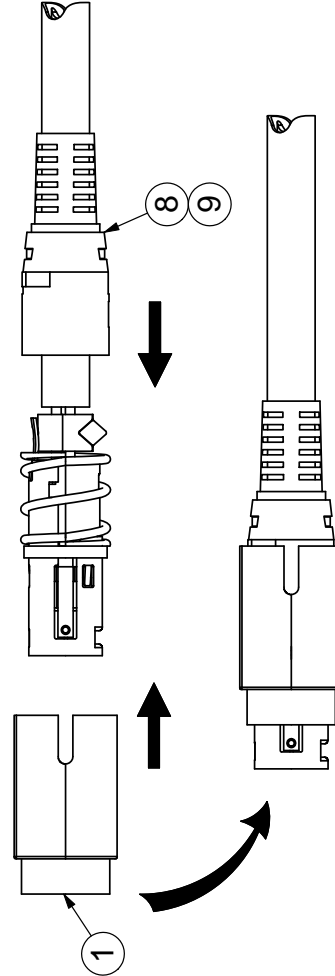
STEP 5

push spring (7) up to plastic ring (5), assemble inner hood (8) and strain relief (9) together



STEP 6

push outer hood (1) and inner hood/strain relief (8,9) together



TITLE: 4-PIN POWER DIN PLUG	REV: A
PART NO: PDP-40	UNITS: MM [INCHES]
DRAWN BY: ZRJ	APPROVED BY:
	SCALE: 1:1