

## Excellent Integrated System Limited

Stocking Distributor

Click to view price, real time Inventory, Delivery & Lifecycle Information:

[STMicroelectronics](#)  
[HD1520FX](#)

For any questions, you can email us directly:

[sales@integrated-circuit.com](mailto:sales@integrated-circuit.com)



# HD1520FX

## HIGH VOLTAGE NPN POWER TRANSISTOR FOR HIGH DEFINITION CRT DISPLAYS

- n STATE-OF-THE-ART TECHNOLOGY: DIFFUSED COLLECTOR "ENHANCED GENERATION" EHVS1
- n WIDER RANGE OF OPTIMUM DRIVE CONDITIONS
- n LESS SENSITIVE TO OPERATING TEMPERATURE VARIATION
- n FULLY INSULATED POWER PACKAGE U.L. COMPLIANT

### APPLICATIONS

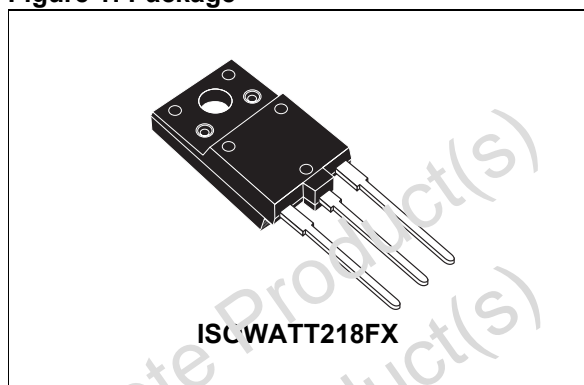
- n HORIZONTAL DEFLECTION FOR LARGE AND FLAT SCREEN 100 Hz COLOR TVs

### DESCRIPTION

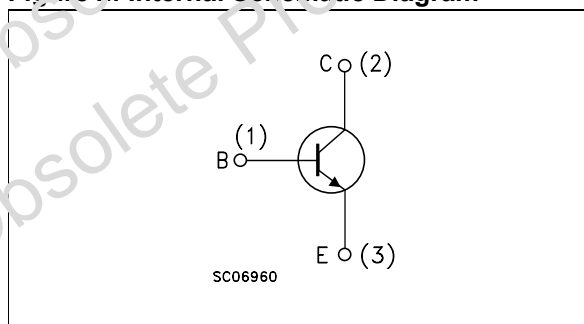
The device is manufactured using Diffused Collector in Planar technology adopting "Enhance High Voltage Structure" (EHVS1) developed to fit High-Definition CRT displays.

The new HD product series show improved silicon efficiency bringing updated performance to the Horizontal Deflection stage.

**Figure 1: Package**



**Figure 2: Internal Schematic Diagram**



**Table 1:**

Part Number	Marking	Package	Packaging
HD1520FX	HD1520FX	ISOWATT218FX	TUBE

**Table 2: Absolute Maximum Ratings**

Symbol	Parameter	Value	Unit
$V_{CES}$	Collector-Emitter Voltage ( $V_{BE} = 0$ )	1500	V
$V_{CEO}$	Collector-Emitter Voltage ( $I_B = 0$ )	700	V
$V_{EBO}$	Emitter-Base Voltage ( $I_C = 0$ )	10	V
$I_C$	Collector Current	15	A
$I_{CM}$	Collector Peak Current ( $t_p < 5ms$ )	22	A
$I_B$	Base Current	8	A
$I_{BM}$	Base Peak Current ( $t_p < 5ms$ )	12	A
$P_{tot}$	Total Dissipation at $T_C = 25\text{ }^\circ\text{C}$	64	W
$V_{ins}$	Insulation Withstand Voltage (RMS) from All Three Leads to External Heatsink	2500	V

## HD1520FX

Symbol	Parameter	Value	Unit
$T_{stg}$	Storage Temperature	-65 to 150	°C
$T_J$	Max. Operating Junction Temperature	150	°C

**Table 3: Thermal Data**

$R_{thj-case}$	Thermal Resistance Junction-Case	Max	1.95	°C/W
----------------	----------------------------------	-----	------	------

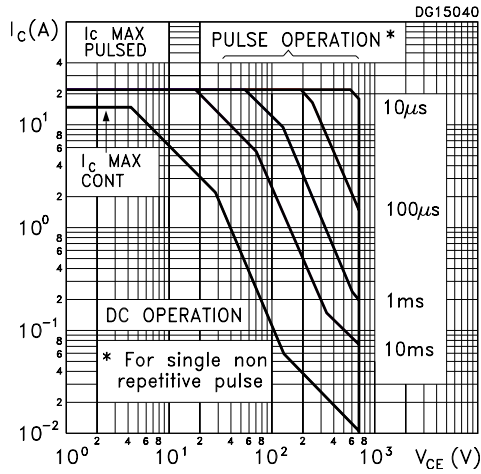
**Table 4: Electrical Characteristics ( $T_{case} = 25\text{ °C}$  unless otherwise specified)**

Symbol	Parameter	Test Conditions	Min.	Typ.	Max.	Unit
$I_{CES}$	Collector Cut-off Current ( $V_{BE} = 0$ )	$V_{CE} = 1500\text{ V}$			0.2	mA
		$V_{CE} = 1500\text{ V}$ $T_C = 125\text{ °C}$			2	mA
$I_{EBO}$	Emitter Cut-off Current ( $I_C = 0$ )	$V_{EB} = 5\text{ V}$			10	μA
$V_{CEO(sus)}^*$	Collector-Emitter Sustaining Voltage ( $I_B = 0$ )	$I_C = 100\text{ mA}$	700			V
$V_{EBO}$	Emitter-Base Voltage ( $I_C = 0$ )	$I_E = 10\text{ mA}$	10			V
$V_{CE(sat)}^*$	Collector-Emitter Saturation Voltage	$I_C = 9\text{ A}$ $I_B = I_C$			3	V
$V_{BE(sat)}^*$	Base-Emitter Saturation Voltage	$I_C = 9\text{ A}$ $I_B = 1.8\text{ A}$			1.3	V
$h_{FE}$	DC Current Gain	$I_C = 1\text{ A}$ $V_{CE} = 5\text{ V}$		26		
		$I_C = 9\text{ A}$ $V_{CE} = 1\text{ V}$		5		
		$I_C = 9\text{ A}$ $V_{CE} = 5\text{ V}$	5.5		9.5	
$t_s$ $t_f$	INDUCTIVE LOAD Storage Time Fall Time	$I_C = 9\text{ A}$ $f_h = 31250\text{ Hz}$				
		$I_{B(on)} = 1.3\text{ A}$ $I_{B(off)} = -4.2\text{ A}$ $L_{BB(on)} = 1.9\text{ μH}$ $V_{BE(off)} = -2.7\text{ V}$ $V_{CE(fly)} = 1040\text{ V}$		3.2 220	4 300	μs ns

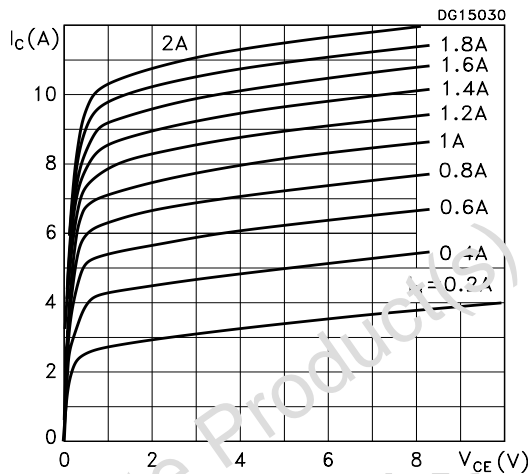
\* Pulsed: Pulsed duration = 300 μs, duty cycle ≤ 1.5 %.

**HD1520FX**

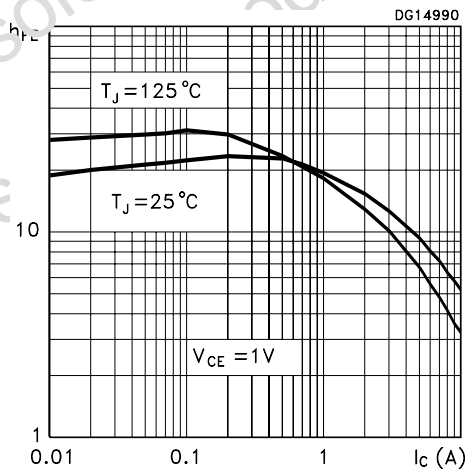
**Figure 3: Safe Operating Area**



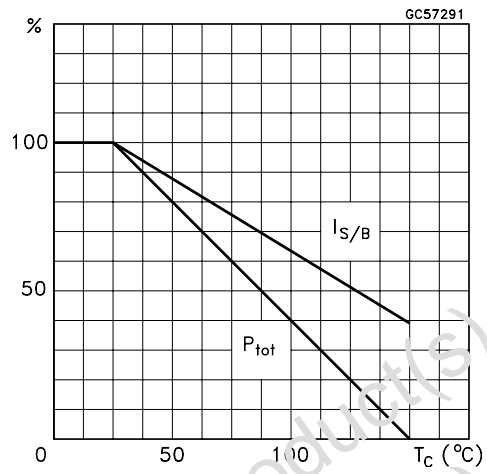
**Figure 4: Output Characteristics**



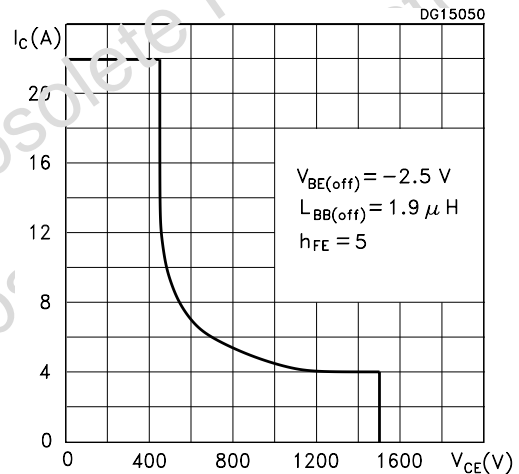
**Figure 5: DC Current Gain**



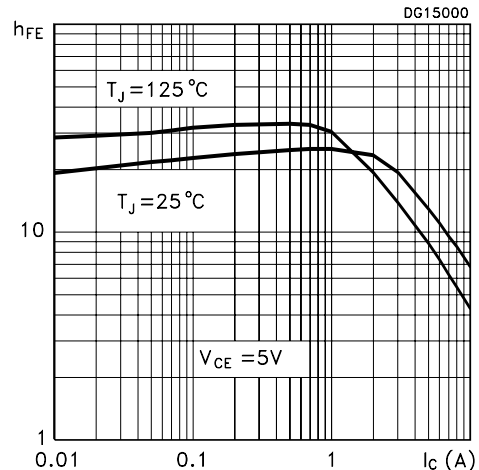
**Figure 6: Derating Curve**



**Figure 7: Reverse Biased SOA**

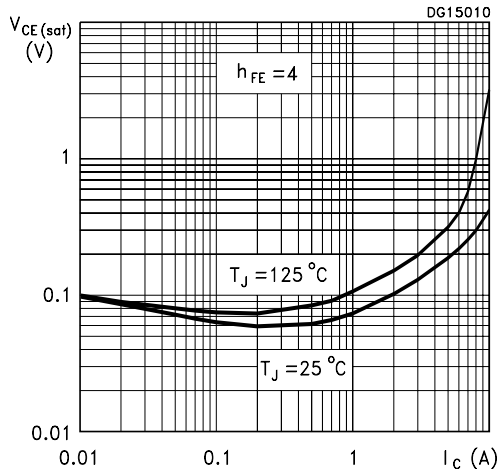


**Figure 8: DC Current Gain**

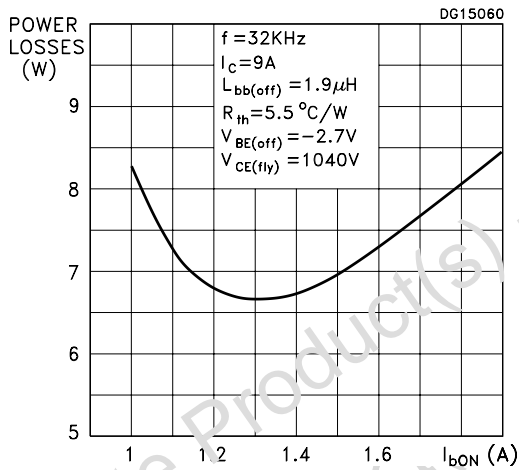


**HD1520FX**

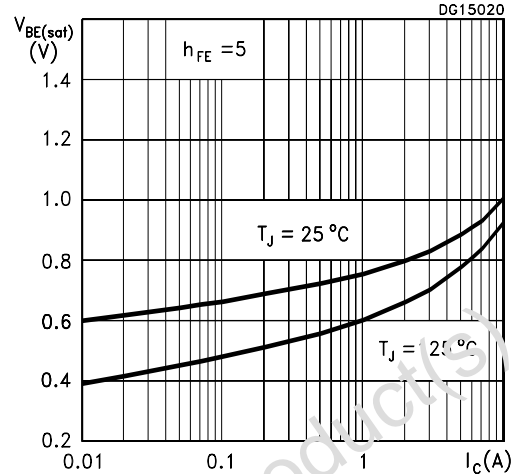
**Figure 9: Collector-Emitter Saturation Voltage**



**Figure 10: Power Losses**



**Figure 11: Base-Emitter Saturation Voltage**



**Figure 12: Inductive Load Switching Time**

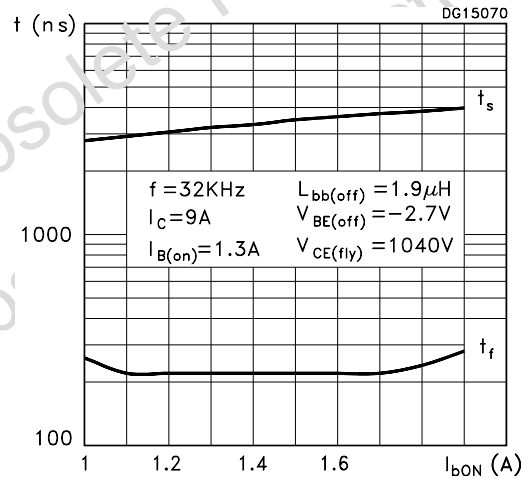


Figure 13: Power Losses and Inductive Load Switching Test Circuit

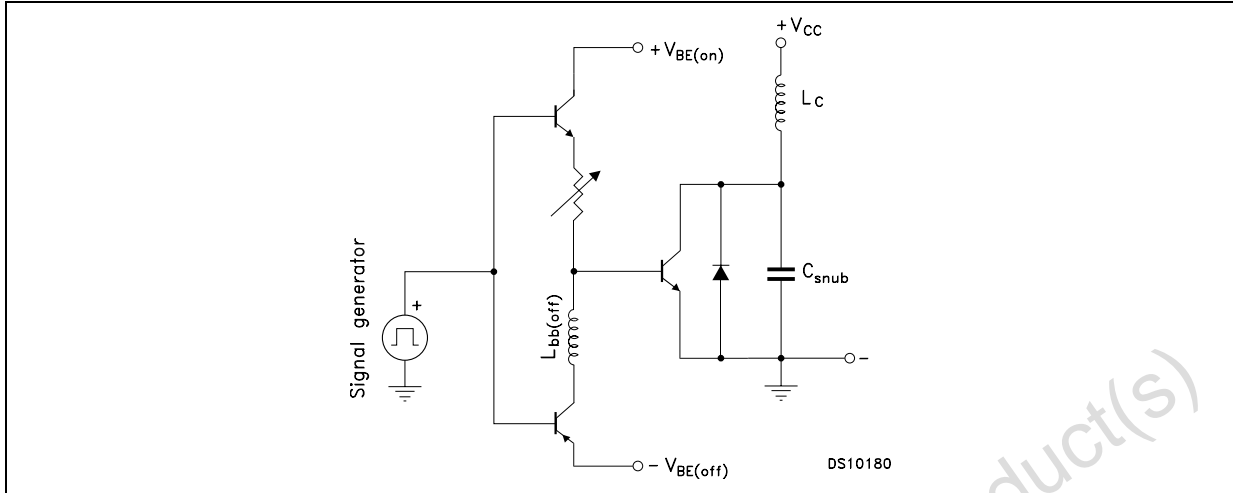
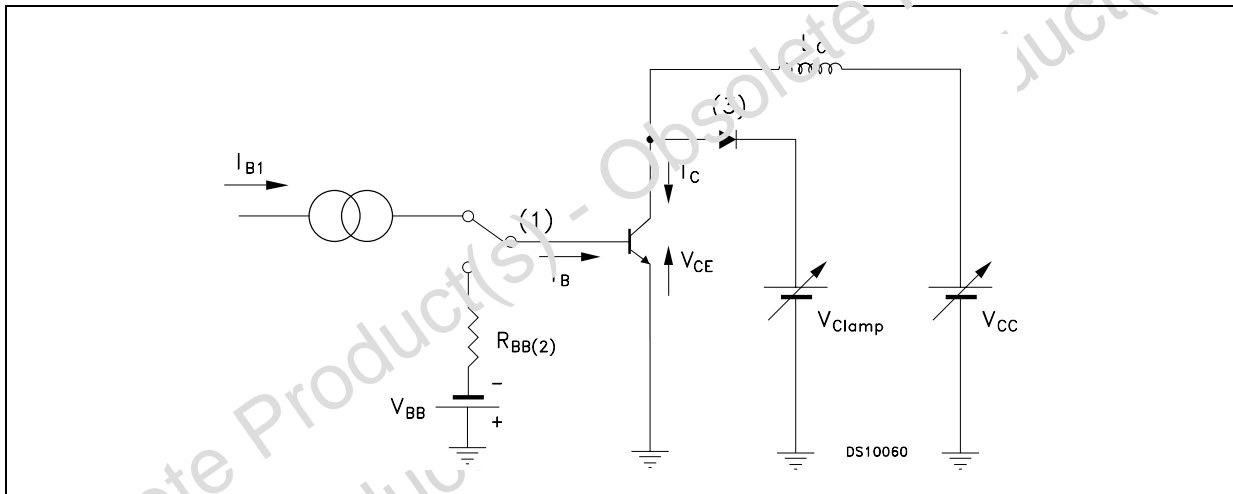


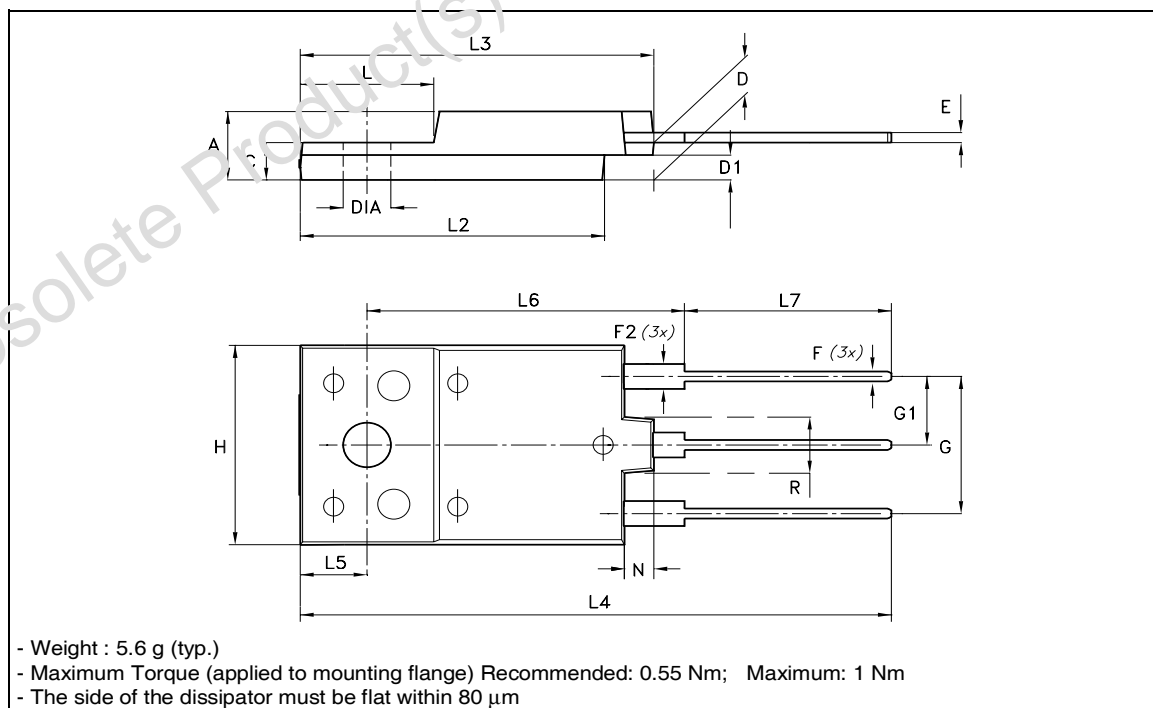
Figure 14: Reverse Biased Safe Operating Area Test Circuit



**HD1520FX**

**ISOWATT218FX MECHANICAL DATA**

DIM.	mm			inch		
	MIN.	TYP.	MAX.	MIN.	TYP.	MAX.
A	5.30		5.70	0.209		0.224
C	2.80		3.20	0.110		0.126
D	3.10		3.50	0.122		0.138
D1	1.80		2.20	0.071		0.087
E	0.80		1.10	0.031		0.043
F	0.65		0.95	0.026		0.037
F2	1.80		2.20	0.071		0.087
G	10.30		11.50	0.406		0.453
G1		5.45			0.215	
H	15.30		15.70	0.602		0.618
L	9.0		10.20	0.354		0.402
L2	22.80		23.20	0.898		0.913
L3	26.30		26.70	1.035		1.051
L4	43.20		44.40	1.701		1.748
L5	4.30		4.70	0.169		0.185
L6	24.30		24.70	0.957		0.972
L7	14.60		15.00	0.575		0.591
N	1.80		2.20	0.071		0.087
R	3.80		4.20	0.150		0.165
DIA	3.40		3.80	0.134		0.150



**Figure 5: Revision History**

Version	Release Date	Change Designator
27-May-2005	0.1	Initial Release.

Obsolete Product(s) - Obsolete Product(s)  
Obsolete Product(s) - Obsolete Product(s)



## HD1520FX

---

Information furnished is believed to be accurate and reliable. However, STMicroelectronics assumes no responsibility for the consequences of use of such information nor for any infringement of patents or other rights of third parties which may result from its use. No license is granted by implication or otherwise under any patent or patent rights of STMicroelectronics. Specifications mentioned in this publication are subject to change without notice. This publication supersedes and replaces all information previously supplied. STMicroelectronics products are not authorized for use as critical components in life support devices or systems without express written approval of STMicroelectronics.

The ST logo is a registered trademark of STMicroelectronics

All other names are the property of their respective owners

© 2005 STMicroelectronics - All Rights Reserved

STMicroelectronics group of companies

Australia - Belgium - Brazil - Canada - China - Czech Republic - Finland - France - Germany - Hong Kong - India - Israel - Italy - Japan - Malaysia - Malta - Morocco - Singapore - Spain - Sweden - Switzerland - United Kingdom - United States of America

[www.st.com](http://www.st.com)