

Excellent Integrated System Limited

Stocking Distributor

Click to view price, real time Inventory, Delivery & Lifecycle Information:

[Amphenol Commercial Products](#)

[U77-A1613-1001](#)

For any questions, you can email us directly:

sales@integrated-circuit.com

MATERIAL (RoHS COMPLIANT):

CAGE:
COPPER ALLOY

PLATING:(SEE PART NUMBER FOR OPTION)

OPTION1:100µ" [2.54 µm] MIN. BRIGHT TIN PLATING OVER 50 µ" (1.27 µm) MIN. NICKEL UNDER PLATING. (BRIGHT TIN SOLDER TEMPERATURE 230°C MAX.)

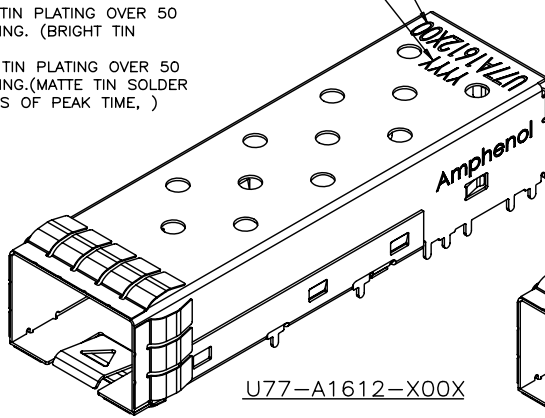
OPTION3: 100µ" [2.54 µm] MIN. MATTE TIN PLATING OVER 50 µ" (1.27 µm) MIN. NICKEL UNDER PLATING.(MATTE TIN SOLDER TEMPERATURE 245°C MAX. IN 10 SECONDS OF PEAK TIME,)

PACKAGING:
TAPE AND REEL OR TRAY PACKAGING.

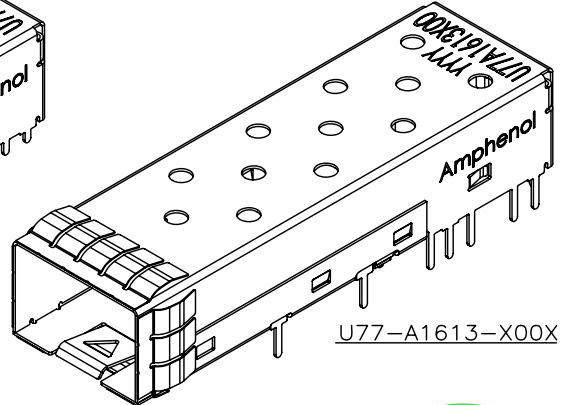
TEMPERATURE RANGE:
-40°C TO +85°C

PART NUMBER
(P/N DOES NOT INCLUDE
PACKAGING OPTION)

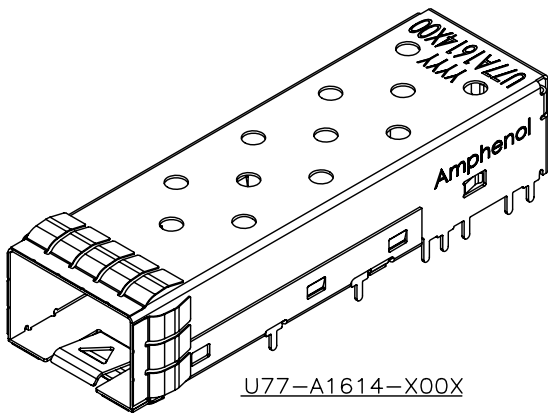
DATE CODE



U77-A1612-X00X



U77-A1613-X00X



U77-A1614-X00X



AMPHENOL PART NUMBER CONFIGURATION

U77 - A 1 6 1 X - X 0 0 X

SOLDER TAIL HEIGHT

- 2 = 1.2 mm (20 SOLDER PINS)
- 3 = 3.2 mm (20 SOLDER PINS)
- 4 = 1.8 mm (20 SOLDER PINS)

PLATING

- 1 = BRIGHT TIN PLATING
- 3 = MATTE TIN PLATING

PACKAGING

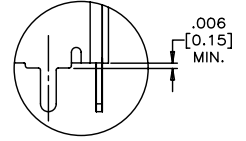
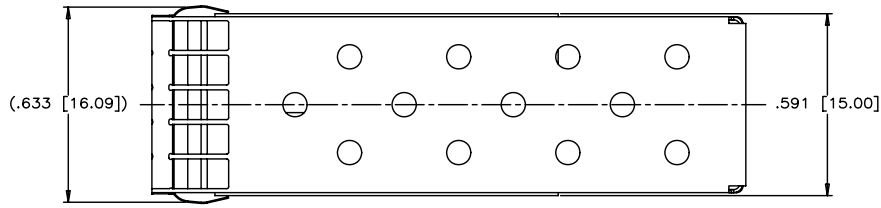
- 1 = TRAY PACKAGING (SEE PAGE 5 FOR DETAILS)
- T = TAPE & REEL PACKAGING (STANDARD CAGE ORIENTATION) (SEE PAGE 6 FOR DETAILS)
- R = TAPE & REEL PACKAGING (REVERSED CAGE ORIENTATION) (SEE PAGE 7 FOR DETAILS)

DRAWN	J.SI	DATE	APR03/08	Amphenol Canada Corp.	
DESIGNED	J.SI	DATE	APR03/08		
CHECKED	X		X		
DWG. APPRD.					
ENG. REL. NO.		DWG	DRAWING NO.	REV.	
REF.	X	A	P-U77-A161X-X00X	A	
DIMENSIONS ARE IN INCHES [mm]		CODE ID. NO.	03554	SCALE	2:1
		WT.		SURF.	
				SHEET 1 of 7	

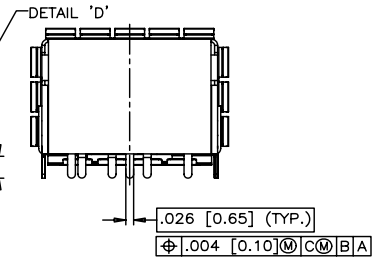
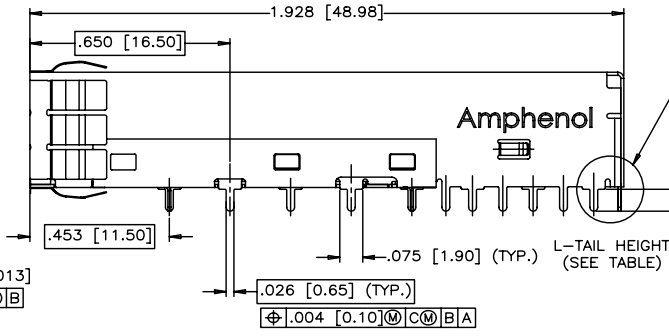
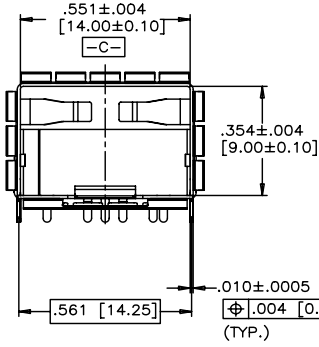
THIS DOCUMENT CONTAINS PROPRIETARY INFORMATION AND SUCH INFORMATION MAY NOT BE DISCLOSED TO OTHERS FOR ANY PURPOSE OR USED FOR MANUFACTURING PURPOSES WITHOUT WRITTEN PERMISSION FROM AMPHENOL CANADA CORP.

A B C D E F

REVISIONS			
SYM	ZONE	ECN, ERN NO.	DATE
A		PROPOSAL	APR04/08

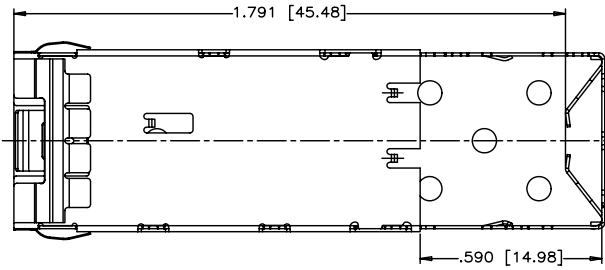


DETAIL 'D'
SCALE 4:1



TABLE

PART NUMBER	SOLDER TAIL HEIGHT (mm)
U77-A1612-X00X	1.20
U77-A1613-X00X	3.20
U77-A1614-X00X	1.80

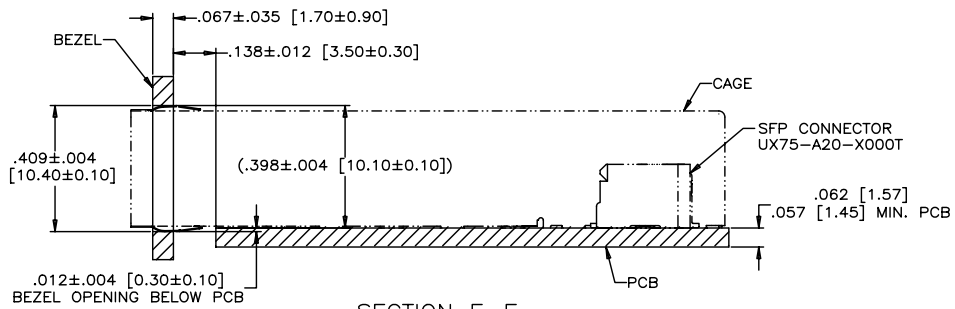
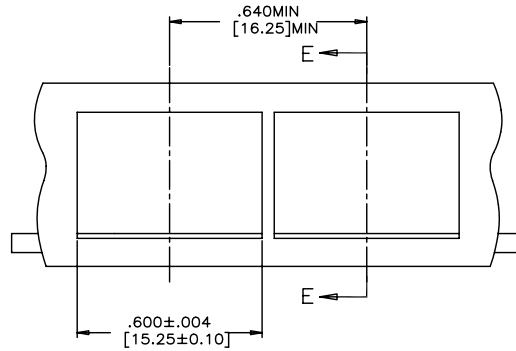


DRAWN	J.SI	DATE	APR03/08	Amphenol Canada Corp.	
DESIGNED	J.SI	DATE	APR03/08		
CHECKED	X		X	TITLE	
				IPF SINGLE CAGE WITH SOLDER PINS	
DWG. APPRD.				DWG	DRAWING NO.
ENG. REL. NO.				A	P-U77-A161X-X00X
REF.	X				REV.
DIMENSIONS ARE IN		CODE ID. NO.	03554	SCALE	2:1
INCHES (mm)				WT.	
				SURF.	
					SHEET 2 OF 7

THIS DOCUMENT CONTAINS PROPRIETARY INFORMATION AND SUCH INFORMATION MAY NOT BE DISCLOSED TO OTHERS FOR ANY PURPOSE OR USED FOR MANUFACTURING PURPOSES WITHOUT WRITTEN PERMISSION FROM AMPHENOL CANADA CORP.

A B C D E F

REVISIONS				
SYM	ZONE	ECN, ERN NO.	DATE	APPRD.
A		PROPOSAL	APR04/08	



SECTION E-E

RECOMMENDED BEZEL DESIGN
(ONE SIDE CAGE MOUNTING)

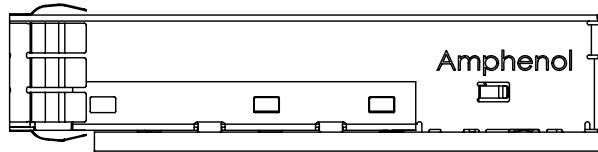
DRAWN	J.SI	DATE	APR03/08	Amphenol Canada Corp.	
DESIGNED	J.SI	DATE	APR03/08		
CHECKED	X		X	TITLE	
				IPF SINGLE CAGE WITH SOLDER PINS	
DWG. APPRD.				DWG	DRAWING NO.
ENG. REL. NO.				A	P-U77-A161X-X00X
REF.	X				REV. A
DIMENSIONS ARE IN INCHES [mm]			CODE ID. NO. 03554	SCALE 2:1	WT. _____ SURF. _____ SHEET 3 OF 7

THIS DOCUMENT CONTAINS PROPRIETARY INFORMATION AND SUCH INFORMATION MAY NOT BE DISCLOSED TO OTHERS FOR ANY PURPOSE OR USED FOR MANUFACTURING PURPOSES WITHOUT WRITTEN PERMISSION FROM AMPHENOL CANADA CORP.

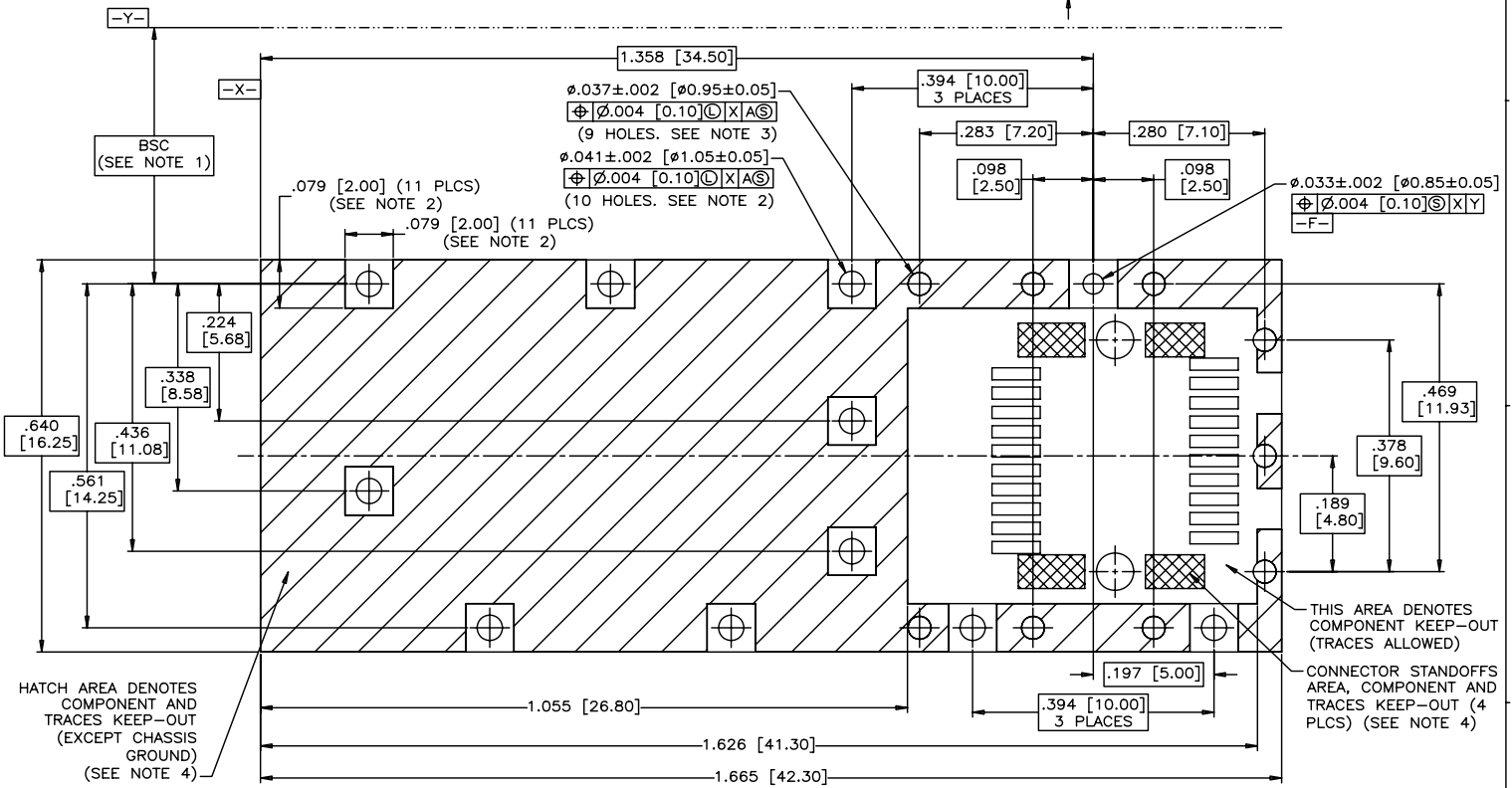
A B C D E F

- NOTES:
1. DATUM AND BASIC DIMENSIONS ESTABLISHED BY CUSTOMER
 2. PADS AND VIAS ARE CHASSIS GROUND, 11 PLACES.
 3. THRU HOLES, PLATING OPTIONAL.
 4. SEE DRAWINGS P-UX75-A20-X000X FOR CONNECTOR PCB LAYOUT.

REVISIONS				
SYM	ZONE	ECN, ERN NO.	DATE	APPRD.
A		PROPOSAL	APR04/08	



.062 [1.57]
[1.45] MIN. PCB



RECOMMENDED SFP HOST BOARD LAYOUT
(ONE SIDE CAGE MOUNTING)
(SCALE 4:1)

DRAWN	J.SI	DATE	APR03/08
DESIGNED	J.SI	DATE	APR03/08
CHECKED	X		
DWG. APPRD.			
ENG. REL. NO.			
REF.	X		
DIMENSIONS ARE IN		CODE ID. NO.	03554
INCHES [mm]			

Amphenol Canada Corp.

TITLE
IPF SINGLE CAGE
WITH SOLDER PINS

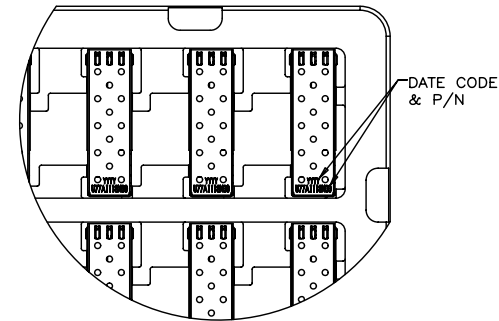
DWG.	A	DRAWING NO.	P-U77-A161X-X00X	REV.	A
SCALE	2:1	WT.		SURF.	

THIS DOCUMENT CONTAINS PROPRIETARY INFORMATION AND SUCH INFORMATION MAY NOT BE DISCLOSED TO OTHERS FOR ANY PURPOSE OR USED FOR MANUFACTURING PURPOSES WITHOUT WRITTEN PERMISSION FROM AMPHENOL CANADA CORP.

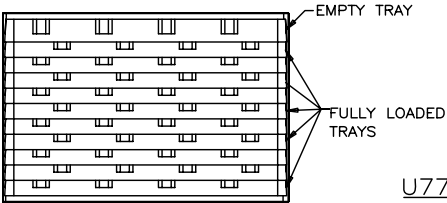
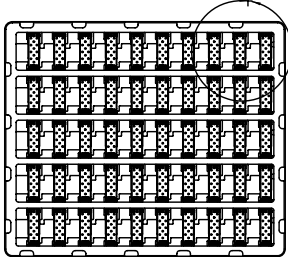
NOTES:

1. A FULLY LOADED TRAY TO CONTAIN 50 CAGES.
2. PLACE TRAYS INTO THE CARTON AS SHOWN. FULLY LOADED CARTON SHALL CONTAIN 10 TRAYS (500 SFP CAGES) PLUS ONE EMPTY TRAY ON THE TOP AS A COVER. FILL EMPTY SPACE IN THE CARTON WITH PAPER FOR ANY PARTIAL SHIPMENT.

REVISIONS				
SYM	ZONE	ECN, ERN NO.	DATE	APPRD.
A		PROPOSAL	APR04/08	

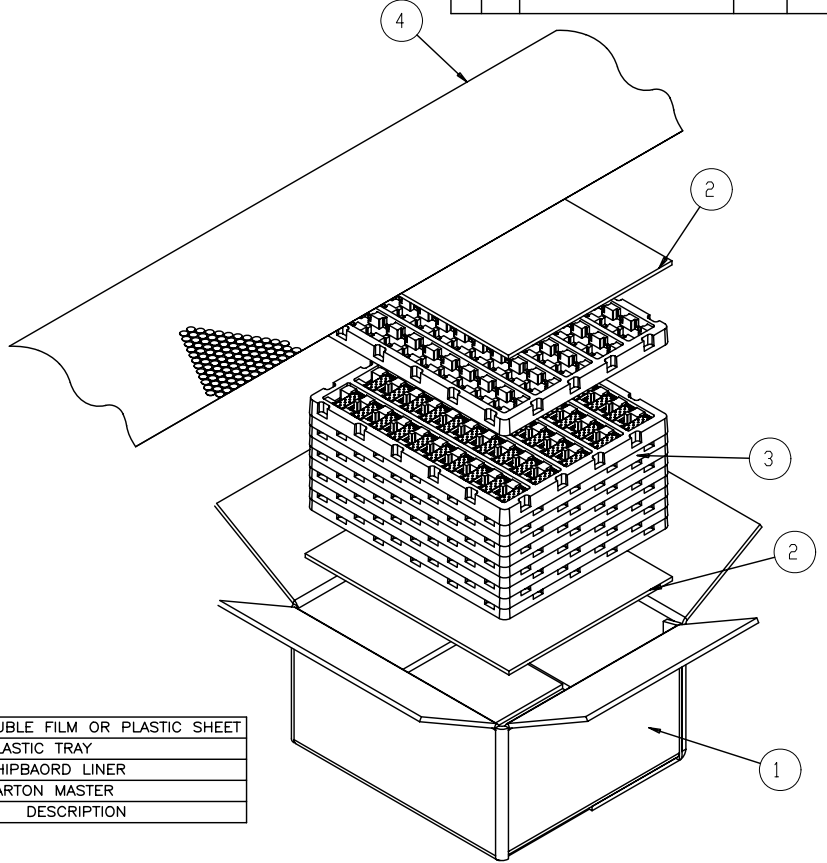


DETAIL F
SCALE 1:2



4	BUBLE FILM OR PLASTIC SHEET
3	PLASTIC TRAY
2	CHIPBOARD LINER
1	CARTON MASTER
ITEM No.	DESCRIPTION

U77-A161X-X001 SHOWN
(CAGE SHOWN FOR REF. ONLY)

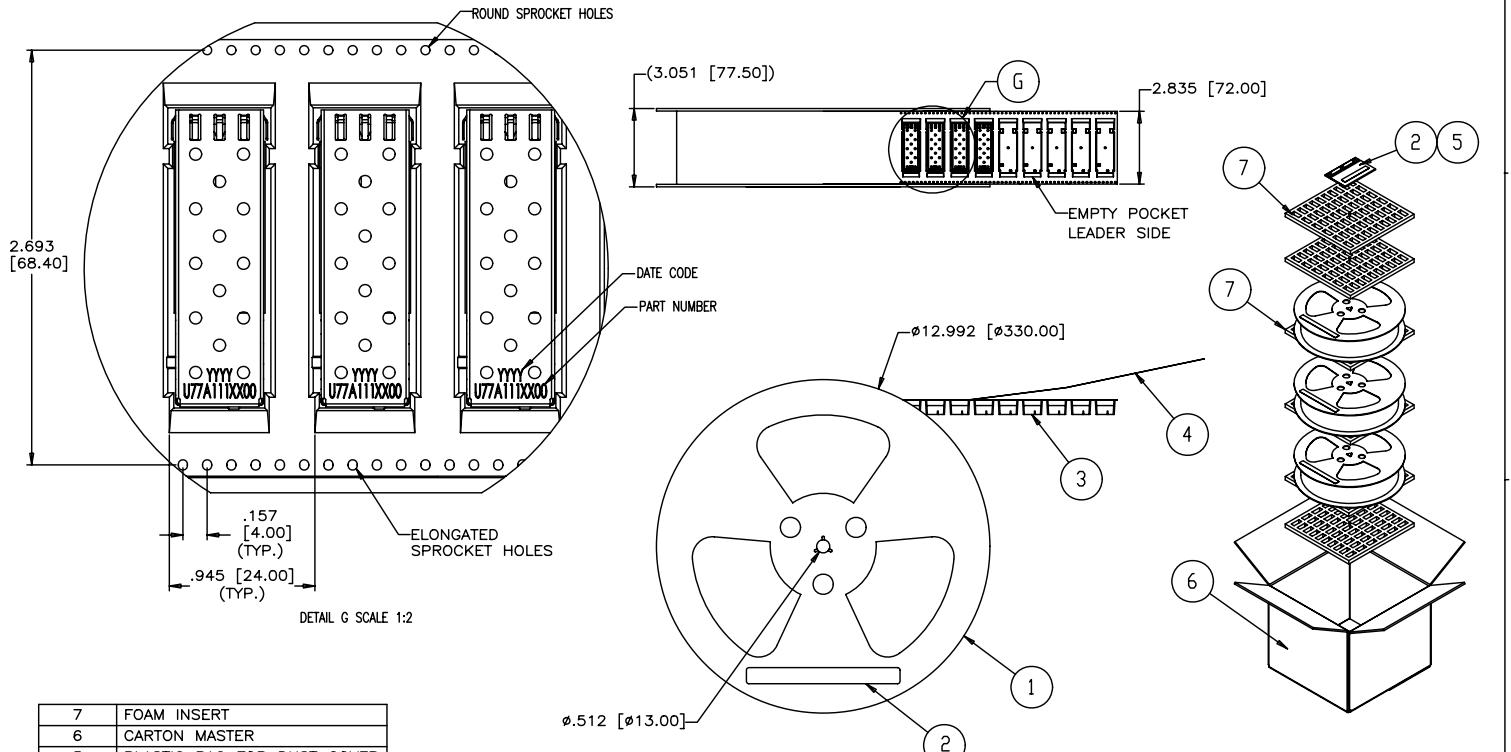


THIS DOCUMENT CONTAINS PROPRIETARY INFORMATION AND SUCH INFORMATION MAY NOT BE DISCLOSED TO OTHERS FOR ANY PURPOSE OR USED FOR MANUFACTURING PURPOSES WITHOUT WRITTEN PERMISSION FROM AMPHENOL CANADA CORP.

DRAWN	J.SI	DATE	APR03/08	Amphenol Canada Corp.			
DESIGNED	J.SI	APR03/08					
CHECKED	X	X					
DWG. APPRD.							
ENG. REL. NO.				TITLE			
REF.	X			SFP/IPF SINGLE CAGE (TRAY PACKAGING REFERENCE)			
DIMENSIONS ARE IN INCHES (mm)	CODE ID. NO.	03554	DWG.	DRAWING NO.	P-U77-A161X-X00X	REV.	
			A			A	
			SCALE	1:8	WT.	SURF.	SHEET 5 of 7

- NOTES:
1. A FULLY LOADED REEL TO CONTAIN 150 CAGES FOR U77-A1612-X00X AND U77-A1614-X00X.
A FULLY LOADED REEL TO CONTAIN 130 CAGES FOR U77-A1613-X00X.
 2. A FULLY LOADED CARTON SHALL CONTAIN 3 REELS.

REVISIONS			
SYM	ZONE	ECN, ERN NO.	DATE APPRD.
A		PROPOSAL	APR04/08



7	FOAM INSERT
6	CARTON MASTER
5	PLASTIC BAG FOR DUST COVER
4	COVER TAPE
3	CARRIER TAPE
2	LABEL
1	PLASTIC REEL (SET)
ITEM No.	DESCRIPTION

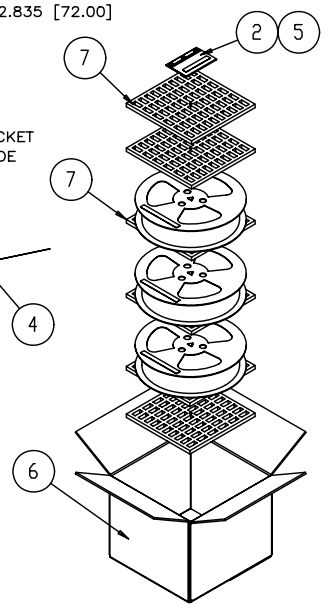
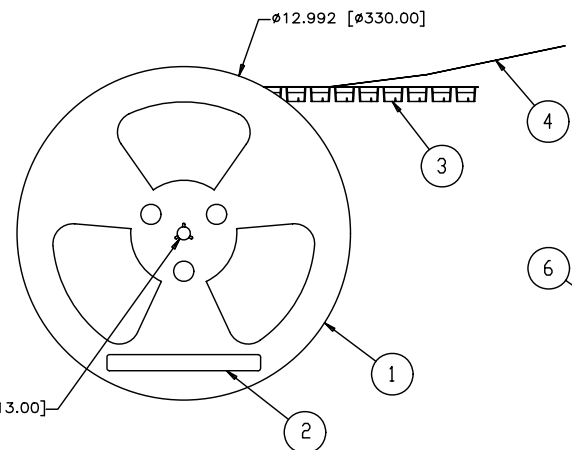
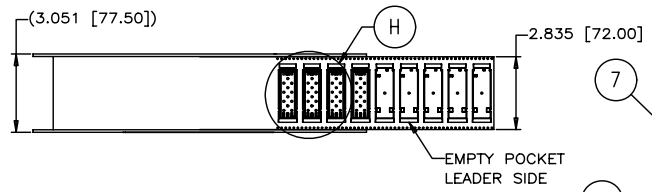
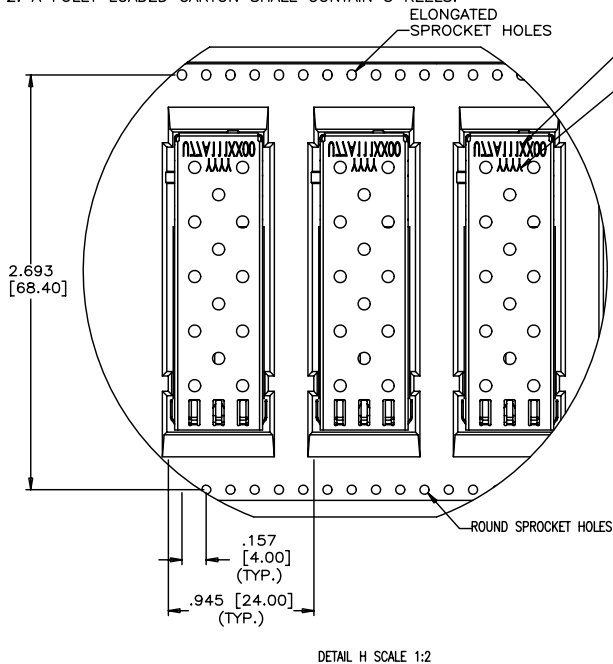
U77-A161X-X00T SHOWN
(CAGE SHOWN FOR REF. ONLY)

THIS DOCUMENT CONTAINS PROPRIETARY INFORMATION AND SUCH INFORMATION MAY NOT BE DISCLOSED TO OTHERS FOR ANY PURPOSE OR USED FOR MANUFACTURING PURPOSES WITHOUT WRITTEN PERMISSION FROM AMPHENOL CANADA CORP.

DRAWN	J.SI	DATE	APR03/08	Amphenol Canada Corp.
DESIGNED	J.SI	APR03/08		
CHECKED	X		X	
DWG. APPRD.				TITLE
ENG. REL. NO.				SFP/IPF SINGLE CAGE (T&R PACKAGING STD CAGE ORIENTATION)
REF.	X			DWG. DRAWING NO.
DIMENSIONS ARE IN INCHES [mm]	03554	SCALE	1:8	P-U77-A161X-X00X
		WT.		REV. A
		SURF.		SHEET 6 OF 7

- NOTES:
1. A FULLY LOADED REEL TO CONTAIN 150 CAGES FOR U77-A1612-X00X AND U77-A1614-X00X.
A FULLY LOADED REEL TO CONTAIN 130 CAGES FOR U77-A1613-X00X.
 2. A FULLY LOADED CARTON SHALL CONTAIN 3 REELS.

REVISIONS				
SYM	ZONE	ECN, ERN NO.	DATE	APPRD.
A		PROPOSAL	APR04/08	



7	FOAM INSERT
6	CARTON MASTER
5	PLASTIC BAG FOR DUST COVER
4	COVER TAPE
3	CARRIER TAPE
2	LABEL
1	PLASTIC REEL (SET)
ITEM No.	DESCRIPTION

U77-A161X-X00R SHOWN
(CAGE SHOWN FOR REF. ONLY)

THIS DOCUMENT CONTAINS PROPRIETARY INFORMATION AND SUCH INFORMATION MAY NOT BE DISCLOSED TO OTHERS FOR ANY PURPOSE OR USED FOR MANUFACTURING PURPOSES WITHOUT WRITTEN PERMISSION FROM AMPHENOL CANADA CORP.

DRAWN	J.SI	DATE	APR03/08	Amphenol Canada Corp.
DESIGNED	J.SI	APR03/08		
CHECKED	X		X	
DWG. APPRD.				TITLE
ENG. REL. NO.				SFP/IPF SINGLE CAGE (T&R PACKAGING REVERSED CAGE ORIENTATION)
REF.				DWG. DRAWING NO.
DIMENSIONS ARE IN INCHES [mm]				A P-U77-A161X-X00X
CODE ID. NO. 03554				REV. A
SCALE 1:8				WT. _____ SURF. _____ SHEET 7 of 7