

## **Excellent Integrated System Limited**

Stocking Distributor

Click to view price, real time Inventory, Delivery & Lifecycle Information:

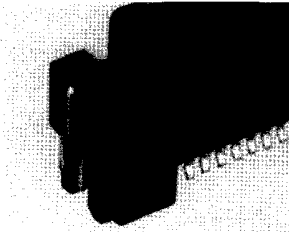
[TE Connectivity AMP Connectors](#)  
[84598-1](#)

For any questions, you can email us directly:

[sales@integrated-circuit.com](mailto:sales@integrated-circuit.com)

**CHAMP .050 Series I Blindmate,  
 Single Connector Attachment (SCA-2) for Fibre Channel** (Continued)

**20-Position Plug Assembly,  
 Straddle Mount  
 Part Number 84598-1**



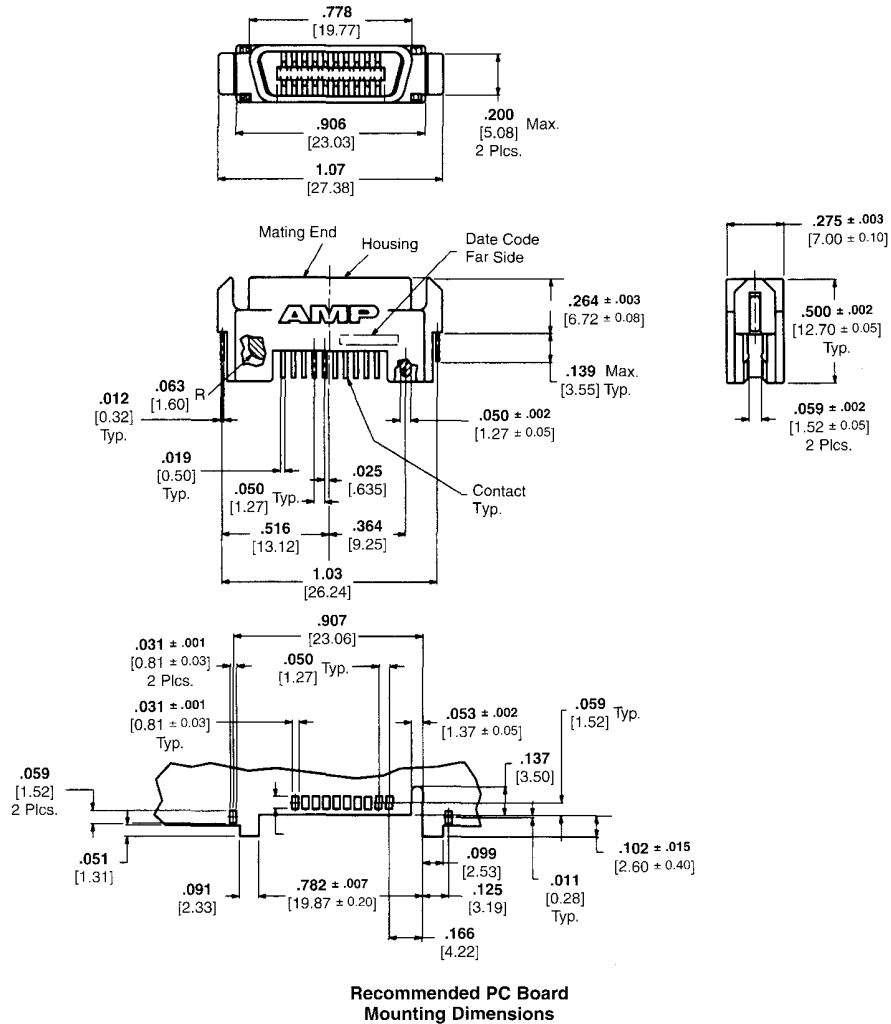
**Material and Finish**

**Housing** — Thermoplastic, 94V-0 rated, black

**Contacts** — Phosphor bronze, plated .000030 [0.00076] min. gold on mating end, .000150 [0.00381] min. tin-lead on solder end, both over .000050 [0.00127] min. nickel underplating

**Retention Leg** — Brass, plated .000030 [0.00381] min. tin-lead over .000050 [0.00127] min. nickel

**Note:** Will accept PCB .072 [1.82] thick, max.



**Recommended PC Board  
 Mounting Dimensions**