

Excellent Integrated System Limited

Stocking Distributor

Click to view price, real time Inventory, Delivery & Lifecycle Information:

[Comair Rotron](#)
[19031083A](#)

For any questions, you can email us directly:

sales@integrated-circuit.com

SPECIFICATIONS

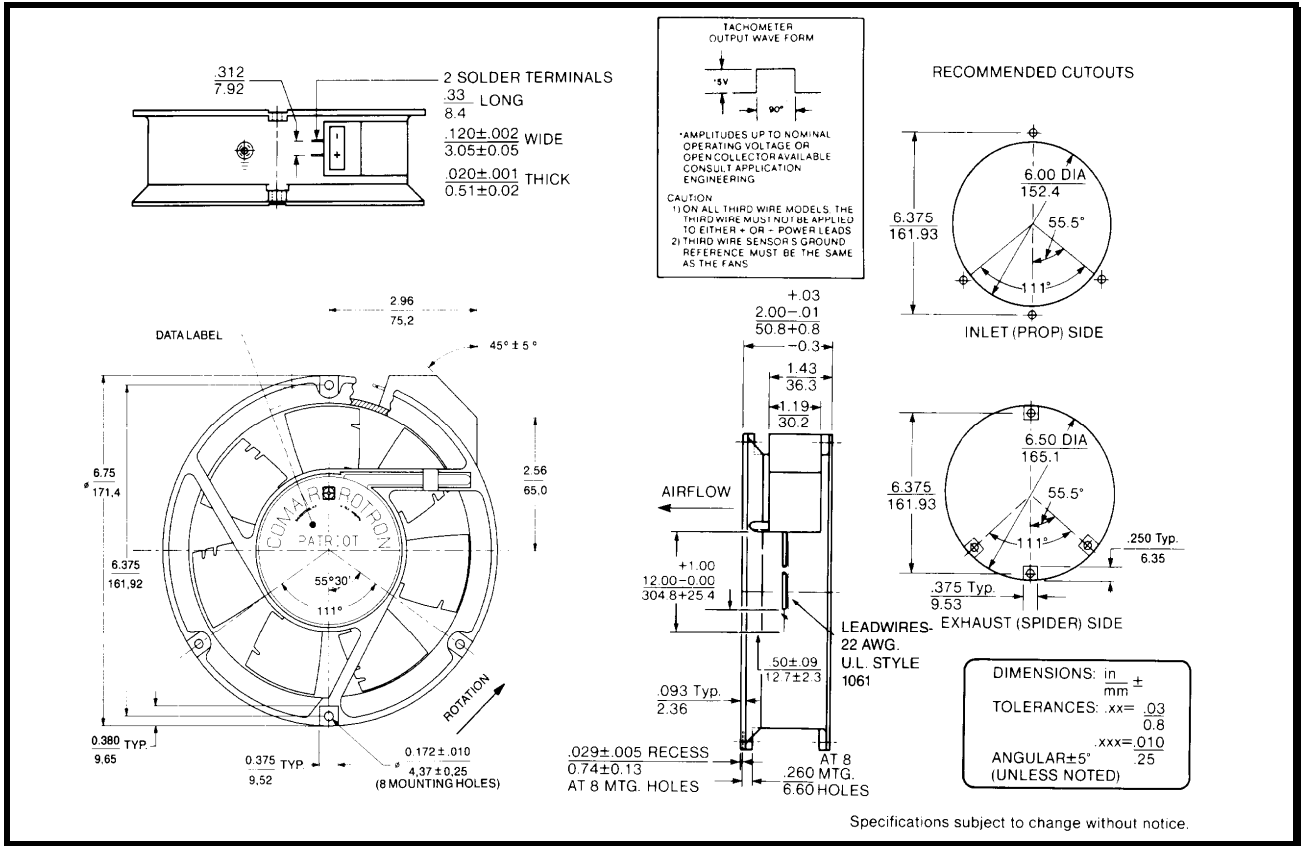
RoHS Compliant



Model Number: PQ12B4
Part Number: 031083

July 11, 2002

Mechanical Drawing:



Motor:

Nominal Voltage = 12 vdc
 Operating Voltage Range = 9 – 14 vdc
 Nominal Running Current = 2.260amps
 Locked Rotor Current = 4.00 amps
 Running Power = 25.2 watts
 Average Speed = 3400 RPM
 Bearings = Ball
 Air Flow = 235 CFM
 Acoustic = 51.2 dBA

Construction:

Venturi: Single piece, die-cast aluminum, Black
 Propeller: Plastic, Black, UL 94V-0

Life Expectancy:

This fan is designed for continuous duty life of 75,000 hours at 40°C.

Additional Features:

Brushless DC Motor
 Polarity Protected
 Locked Rotor Protection
 Automatic Restart Capability
 Operating Temperature: -10°C to 70°C
 Storage Temperature: -40°C to 85°C

Termination:

0.110 Terminals (2)

Agency Approvals:

UL, CE