

## Excellent Integrated System Limited

Stocking Distributor

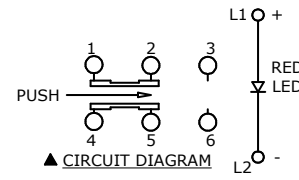
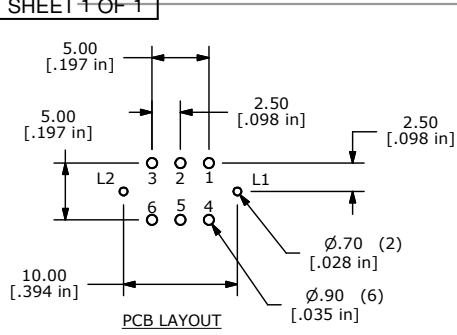
Click to view price, real time Inventory, Delivery & Lifecycle Information:

[E-Switch](#)  
[LP4EE1PBARR](#)

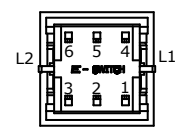
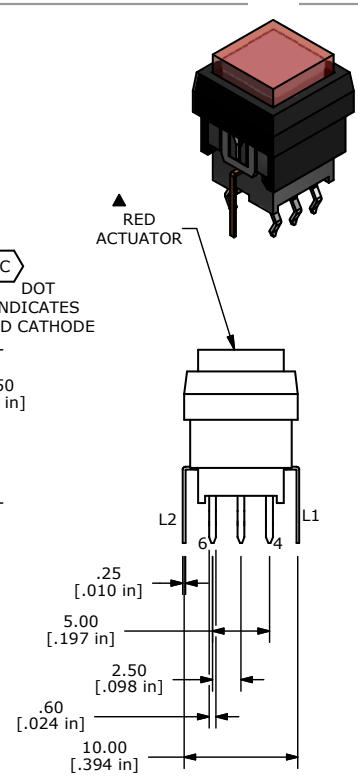
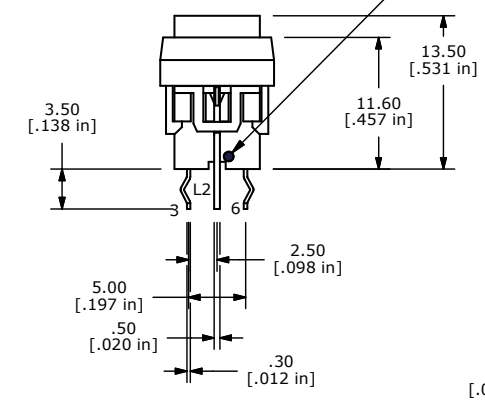
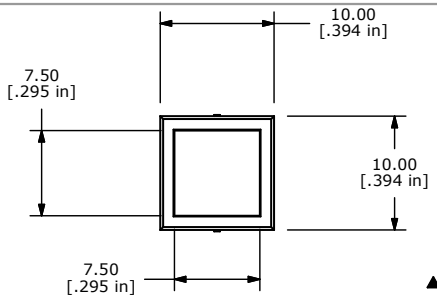
For any questions, you can email us directly:

[sales@integrated-circuit.com](mailto:sales@integrated-circuit.com)

SHEET 1 OF 1



- NOTES:
1. ALL DIMENSIONS IN MM [INCH]
  2. GENERAL TOLERANCE: X.X=±0.4 X.XX=±0.25
  3. TERMINAL NUMBERS FOR REF ONLY
  4. CONTACT RATING: CURRENT: 100mA VOLTAGE: 30 VDC
  5. OPERATING LIFE: 50,000 MAKE-AND-BREAK CYCLES
  6. INSULATION RESISTANCE: 500VDC, 100M OHM. MIN.
  7. OPERATING FORCE: 250gf ± 100 GRAMS
  8. OPERATING TEMP.: -20°C to 70°C
  - ▲9. TRAVEL: 1.00 ± 0.3mm LOCK 1.50 ± 0.3mm FULL TRAVEL
  10. CONTACT RESISTANCE: 50 m OHM. MAX.
  11. ▲ DENOTES CRITICAL PARAMETER.
  12. 2002/95/EC (ROHS) COMPLIANT
  - ▲13. LED COLOR: RED



| LED SPECS                 |       |         |
|---------------------------|-------|---------|
|                           | UNITS | RED     |
| FORWARD CURRENT           | mA    | 20      |
| FORWARD VOLTAGE @20mA     | V     | 1.9-2.5 |
| LUMINOUS INTENSITY @ 10mA | MCD   | 200     |

| REV | PCR NO | DESCRIPTION                      | DATE     | BY  |
|-----|--------|----------------------------------|----------|-----|
| C   | 20995  | REMOVE "WHITE" FROM LED DOT NOTE | 1/30/13  | EBP |
| B   | 19603  | DRAWING UPDATE                   | 1/19/11  | BGL |
| A   | 18682  | RELEASE FOR PRODUCTION           | 10/14/09 | BLR |

**E-SWITCH**

TITLE LP4EE1PBARR

|             |                 |        |             |       |
|-------------|-----------------|--------|-------------|-------|
| SCALE 2 = 1 | DATE 10/14/2009 | DR BLR | DWG B240030 | REV C |
|-------------|-----------------|--------|-------------|-------|

THE INFORMATION CONTAINED IN THIS DOCUMENT IS PROPRIETARY TO E-SWITCH AND IS NOT TO BE COPIED OR TRANSFERRED