



Distributor of ASSMANN WSW Components: Excellent Integrated System Limited
Datasheet of AU-Y1005-2-R - Connector Receptacle USB TypeA 2.0 4 Position Through Hole,
Right Angle, Horizontal

Contact us: sales@integrated-circuit.com Website: www.integrated-circuit.com

Excellent Integrated System Limited

Stocking Distributor

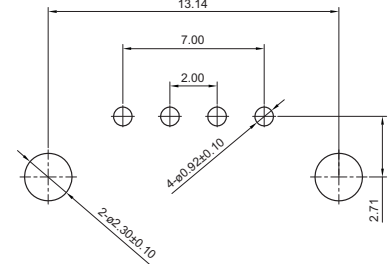
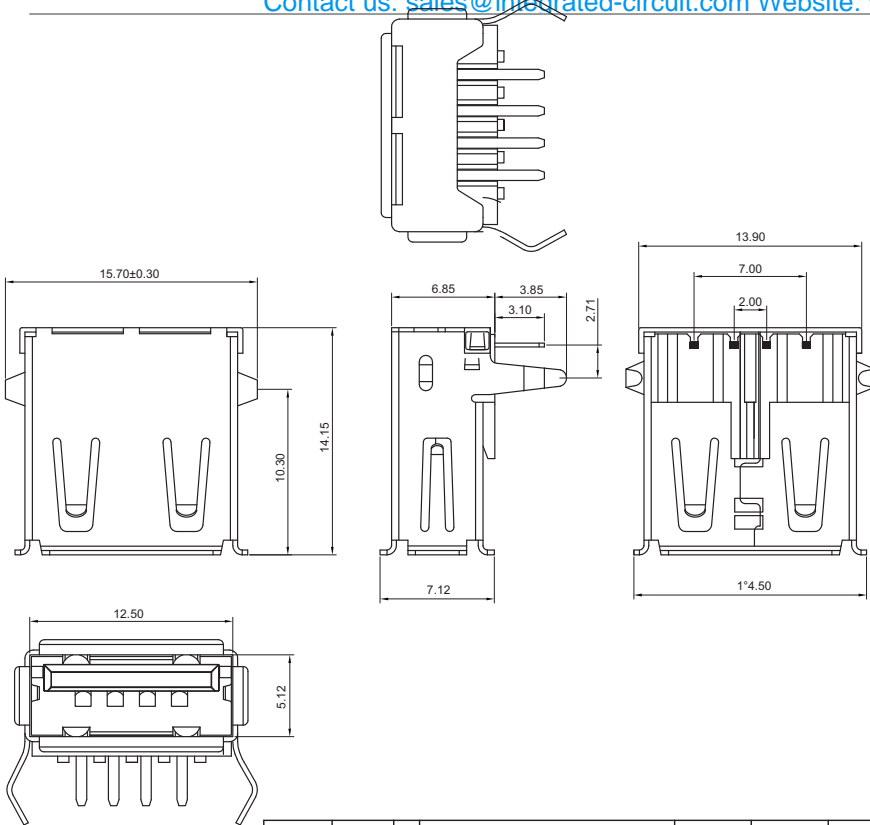
Click to view price, real time Inventory, Delivery & Lifecycle Information:

[ASSMANN WSW Components](#)
[AU-Y1005-2-R](#)

For any questions, you can email us directly:

sales@integrated-circuit.com

Contact us: sales@integrated-circuit.com Website: www.integrated-circuit.com



Material:

- Housing: PBT+30% G.F. UL 94V-0
- Contact: Phosphor Bronze
- Shell: Bronze
- Plating Contact: Gold thickness 30μ" and Tin over nickel plated
- Plating Shell: Nickel plated over all
- Housing color: White

Electrical:

- Current-Max: 1.5A
- Voltage-Max: 30V
- Withstanding Voltage: 500V AC
- Contact Resistance: 30mΩ Max.
- Insulation Resistance: 1000MΩ Min.

Environmental

- Temperature range: -55°C~+85°C

Unit: mm



Scale	1:1					Date	Name	Title
TOLERANCE						Drawn	30.11.12	Wilson
X.X	±0.38					Approved	30.11.12	Groll
X.XX	±0.25							
X.XXX	±0.13							
								ASSMANN WSW-No.
								AU-Y1005-2-R
								Drawing-No.
								rev00
								Sheet
								1/1



1840 W. Drake Drive, Suite 101 • Tempe, AZ 85283
 Toll Free: 1-877-277-6266 • Email: info@assmann.us

1

2

3

4

5

6

7